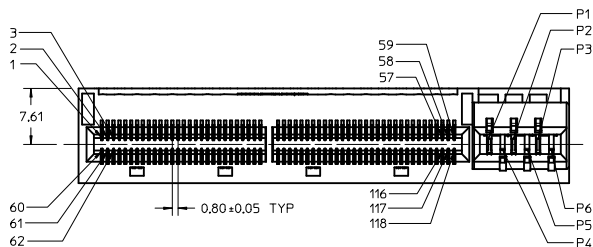
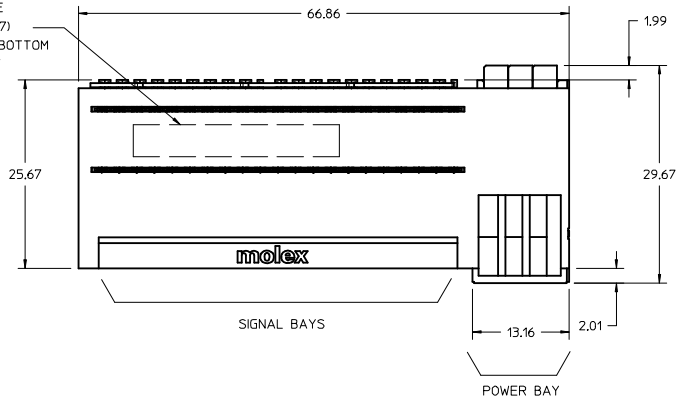
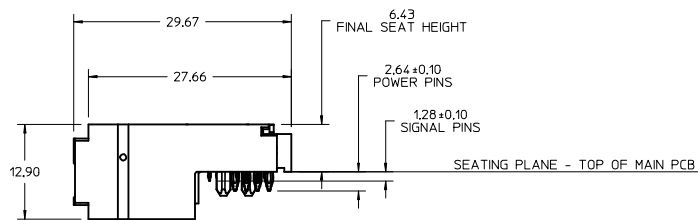
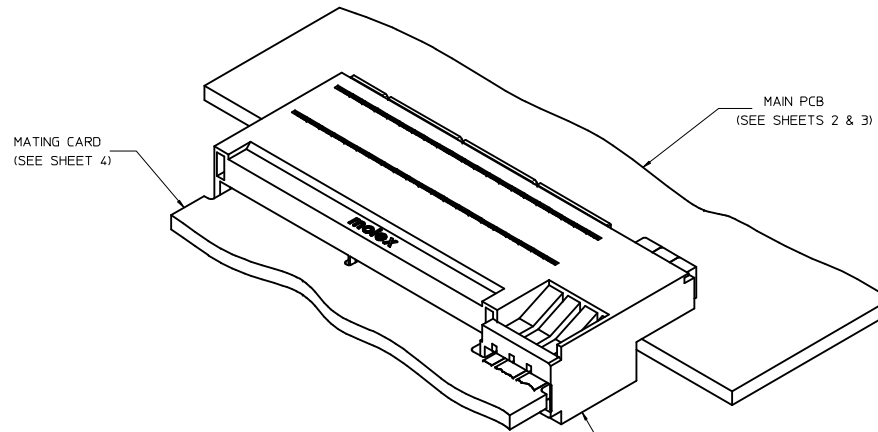


PART NUMBER AND DATE CODE (SEE NOTE 7) LOCATED ON BOTTOM OF PART



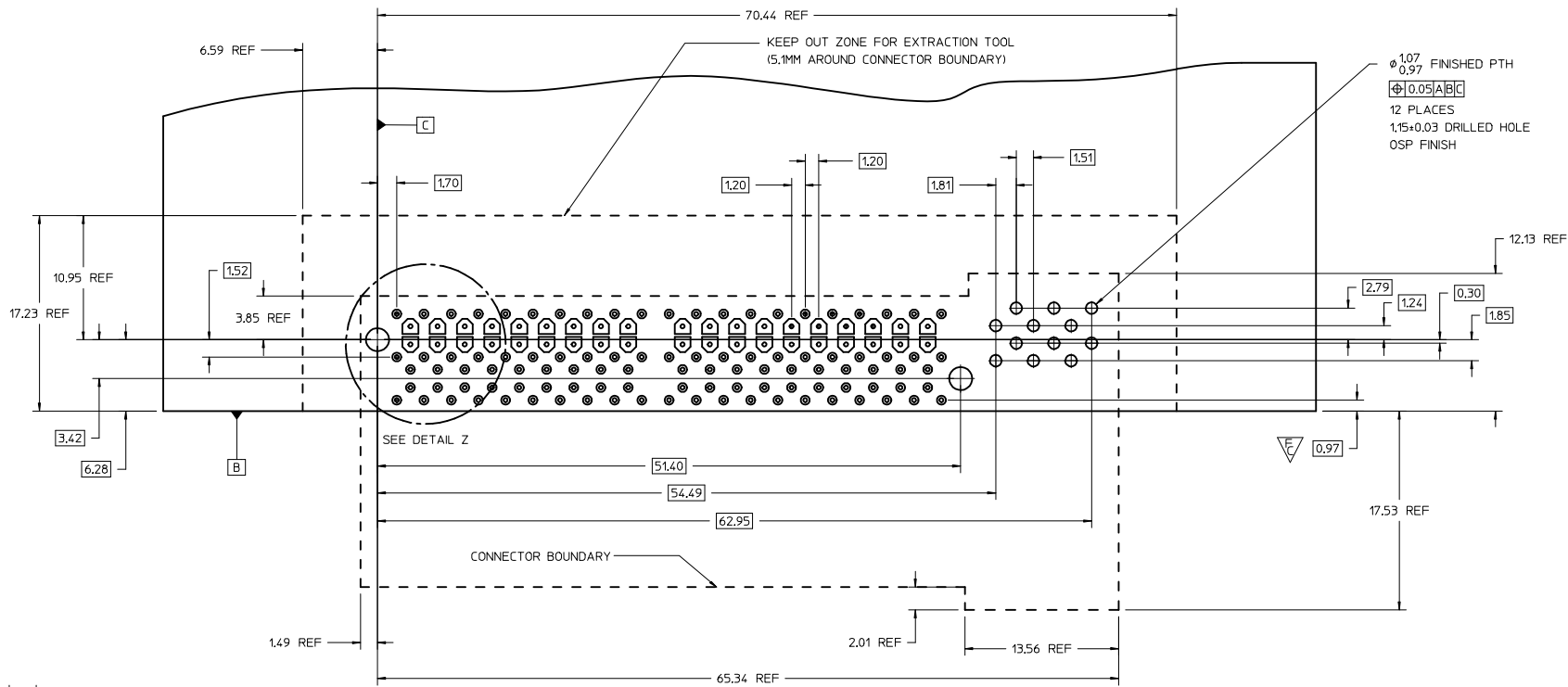
NOTES:

- MATERIALS -
CONNECTOR HOUSING: GLASS FILLED LCP, 94V-0, BLACK
OVERMOLDING ON TERMINAL WAFERS: GLASS FILLED LCP, 94V-0, BLACK
TERMINALS: COPPPER ALLOY, SPRING TEMPER.
- TERMINAL FINISH
CONTACT AREA: .754mm HARD GOLD OVER 3.84M MIN NICKEL.
COMPLIANT AREA: 0.75-1.504M TIN (LEAD-FREE) OVER 1.254M MIN. NICKEL.
- REFER TO PS-170305-001 PRODUCT SPEC FOR ALL ELECTRICAL, MECHANICAL AND ENVIRONMENTAL SPECIFICATIONS.
- REFER TO PK-170305-001 FOR ALL PACKAGING SPECIFICATIONS.
- REFER TO AS-17305-0001 FOR ALL APPLICATION INFORMATION.
- REFER TO AS-170305-0002 FOR ROUTING GUIDE RECOMENDATIONS.
- ASSEMBLY PART NUMBER AND DATE CODE TO BE LASER ETCHED OR ON LABEL LOCATED APPROX, AS SHOWN, DATE CODE TO SHOW THE DAY AND YEAR OF ASSEMBLY.

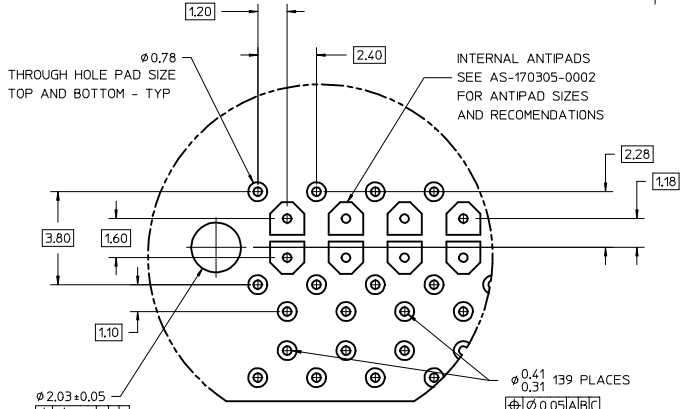


-ASSEMBLY IS RoHS COMPLIANT-

RELEASED EIC NO: LCP2013-0837 DRWNS:SBGJEL 2012/07/13 CHKD: APPR:MBANKIS 2014/03/05 REV:	QUALITY SYMBOLS	GENERAL TOLERANCES (UNLESS SPECIFIED)	DIMENSION STYLE	SCALE	DESIGN UNITS	THIRD ANGLE PROJECTION
	∇=0 ∇=0 ∇=0	mm INCH 4 PLACES ± --- ± --- 3 PLACES ± --- ± --- 2 PLACES ± 0.13 ± --- 1 PLACE ± 0.25 ± --- ANGULAR ± 1/2°	MM ONLY DRAWN BY DATE SBGJEL 2012/07/13 CHECKED BY DATE APPROVED BY DATE MBANKIS 2014/03/05	3:1	METRIC	ASSEMBLY 093 COPLANAR CONNECTOR WITH POWER BAY MOLEX INCORPORATED
	DRAFT WHERE APPLICABLE MUST REMAIN WITHIN DIMENSIONS	MATERIAL NO. 170305-0118	DOCUMENT NO. SD-170305-0118	SHEET NO. 1 OF 5		



$\phi^{1.07}_{0.97}$ FINISHED PTH
 $\oplus \ominus 0.05 \text{A|B|C}$
 12 PLACES
 1.15 \pm 0.03 DRILLED HOLE
 OSP FINISH



**RECOMMENDED TAIL PATTERN
 WITH INTERNAL ANTI-PADS SHOWN**
 DETAIL Z
 SCALE 10:1

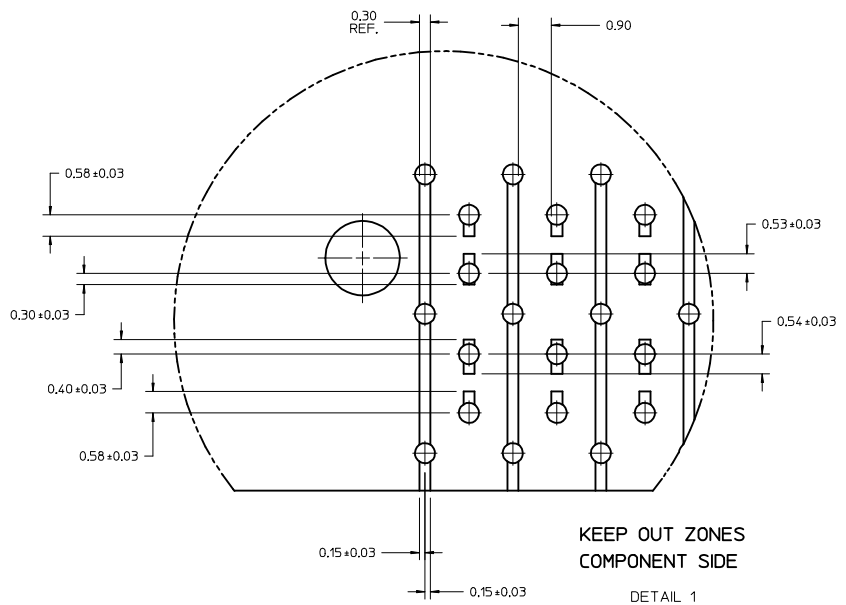
$\phi 2.03 \pm 0.05$
 $\oplus \ominus 0.05 \text{A|B|C}$
 UNPLATED HOLE
 2 PLACES

$\phi 0.78$
 THROUGH HOLE PAD SIZE
 TOP AND BOTTOM - TYP

INTERNAL ANTI-PADS
 SEE AS-170305-0002
 FOR ANTI-PAD SIZES
 AND RECOMMENDATIONS

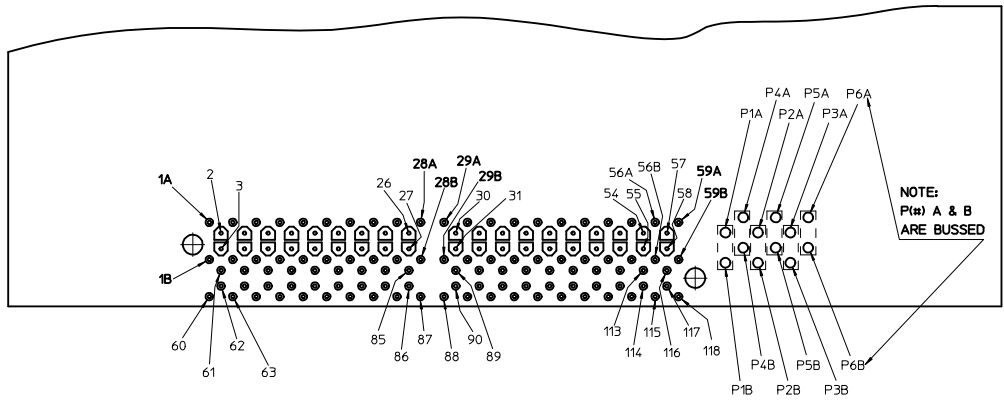
$\phi 0.41_{0.31}$ 139 PLACES
 $\oplus \ominus 0.05 \text{A|B|C}$
 FINISHED PTH
 0.457 DIA. DRILLED HOLE
 (#77 DRILL)
 OSP FINISH

SEE SHEET 1 EC NO: UCP2013-0837 DRAWN: SBGIEL CHYK: APPROV: MBANKIS 2012/07/13 2014/03/05	QUALITY SYMBOLS	GENERAL TOLERANCES (UNLESS SPECIFIED)	DIMENSION STYLE	SCALE	DESIGN UNITS	THIRD ANGLE PROJECTION	
	$\nabla=0$	mm INCH	MM ONLY	4:1	METRIC		
	$\nabla=1$	4 PLACES ± --- ± ---	DRAWN BY	DATE	TITLE	ASSEMBLY 093 COPLANAR CONNECTOR WITH POWER BAY	
	$\nabla=0$	3 PLACES ± --- ± --- 2 PLACES ± 0.13 ± --- 1 PLACE ± 0.25 ± --- ANGULAR ± 1/2°	CHECKED BY	DATE	MOLEX INCORPORATED		
DRAFT WHERE APPLICABLE MUST REMAIN WITHIN DIMENSIONS		MATERIAL NO.	DATE	APPROVED BY	DOCUMENT NO.	SHEET NO.	
		170305-0118	2014/03/05	MBANKIS	SD-170305-0118	2 OF 5	
THIS DRAWING CONTAINS INFORMATION THAT IS PROPRIETARY TO MOLEX INCORPORATED AND SHOULD NOT BE USED WITHOUT WRITTEN PERMISSION							

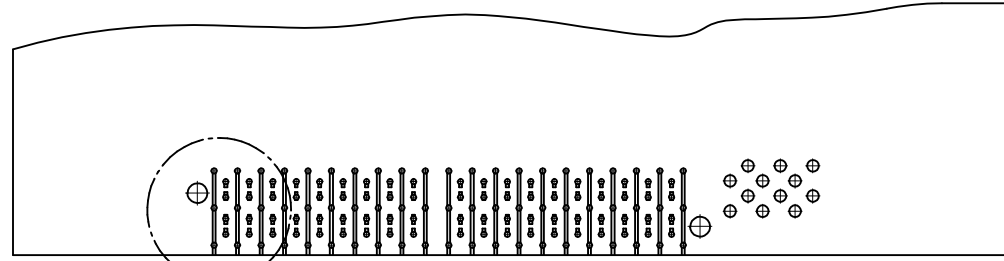


KEEP OUT ZONES
COMPONENT SIDE
DETAIL 1
SCALE 15:1

NOTE:
1. KEEP OUT ZONES INDICATE THE PART OF THE CONNECTOR THAT MAY COME IN CONTACT WITH THE PCB. IT IS RECOMMENDED TO ROUTE TRACES AWAY FROM THESE AREAS.



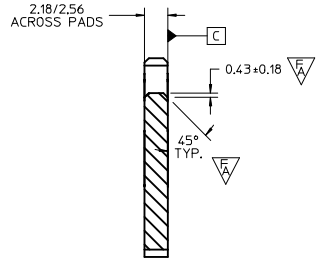
CONNECTOR PIN OUT
COMPONENT SIDE



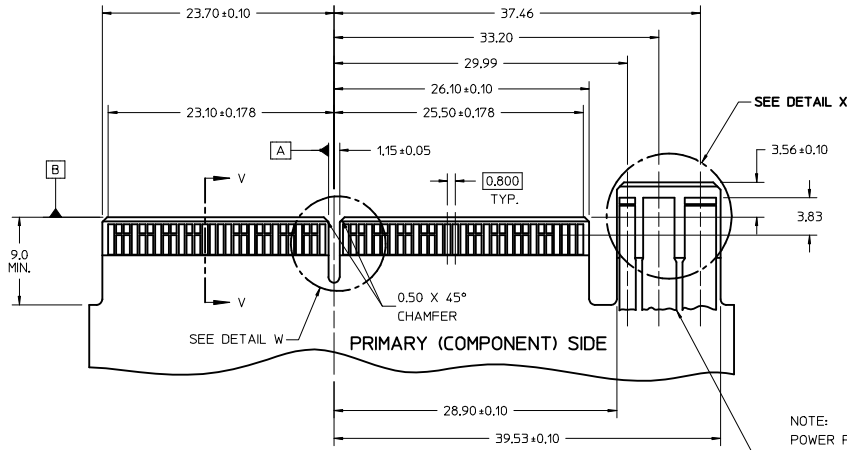
KEEP OUT ZONES
COMPONENT SIDE
(SEE NOTE)
SEE DETAIL 1

SEE SHEET 1 EC NO: UCP2013-0837 DRAWN BY: SBGIEL CHKD: MBANKIS APPROVED BY: MBANKIS DATE: 2014/03/05	QUALITY SYMBOLS	GENERAL TOLERANCES (UNLESS SPECIFIED)	DIMENSION STYLE	SCALE	DESIGN UNITS	THIRD ANGLE PROJECTION
	▽=0	mm INCH	MM ONLY	4:1	METRIC	☉
	▽=0	4 PLACES ± 0.13	DRAWN BY: SBGIEL	DATE: 2012/07/13	TITLE: ASSEMBLY 093 COPLANAR CONNECTOR WITH POWER BAY	MOLEX INCORPORATED DOCUMENT NO. SD-170305-0118
	▽=0	3 PLACES ± 0.25	CHECKED BY: SBGIEL	DATE: 2014/03/05	APPROVED BY: MBANKIS	
		ANGULAR ± 1/2°	MATERIAL NO. 170305-0118	DATE: 2014/03/05	SHEET NO. 3 OF 5	
		DRAFT WHERE APPLICABLE MUST REMAIN WITHIN DIMENSIONS	SIZE D	THIS DRAWING CONTAINS INFORMATION THAT IS PROPRIETARY TO MOLEX INCORPORATED AND SHOULD NOT BE USED WITHOUT WRITTEN PERMISSION		

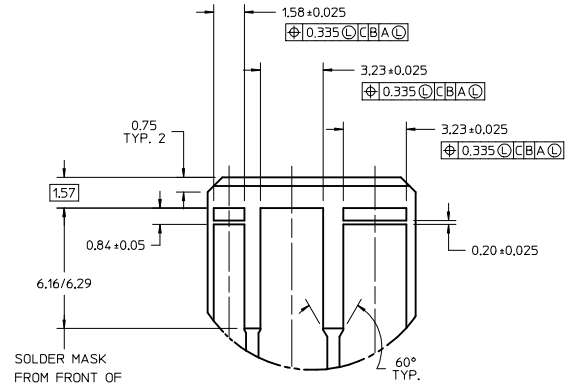
MATING SEQUENCE	
MATING	VALUE
POWER - GROUND	0.00
POWER - POWER	0.84
SIGNAL GRND/PWR	2.73
HIGH SPEED SIGNAL	3.83
PRESENCE	4.28



SECTION V-V



PRIMARY (COMPONENT) SIDE

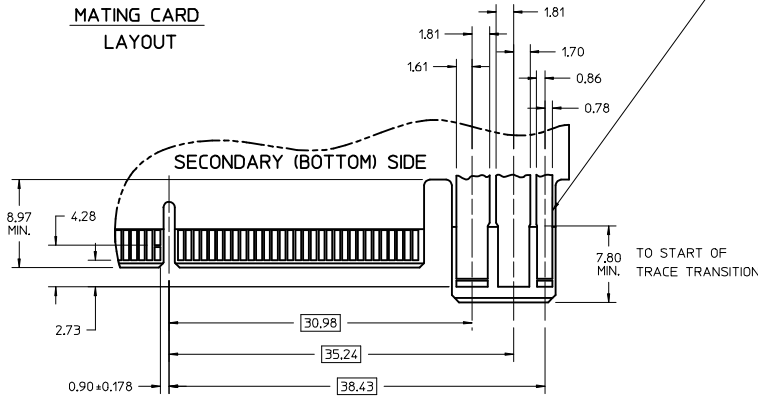


POWER TAB DETAIL
DETAIL X
SCALE 8:1

NOTE: POWER PADS ARE DIFFERENT ON TOP & BOTTOM OF PCB

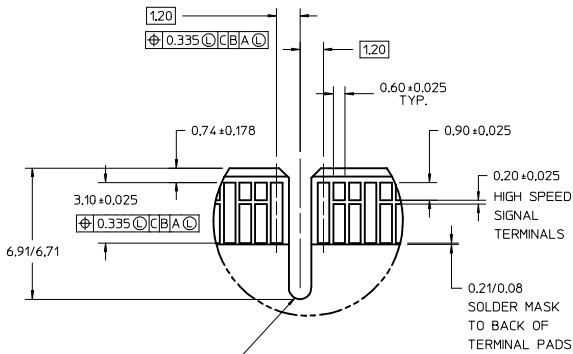
DIMENSIONS APPLY TO PADS ON BOTH SIDES OF THE BOARD EXCEPT FOR THE POWER TABS AS SHOWN

MATING CARD LAYOUT



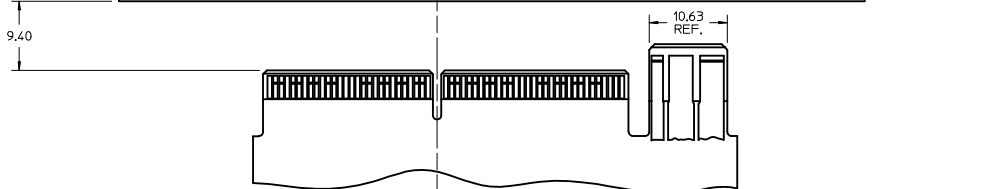
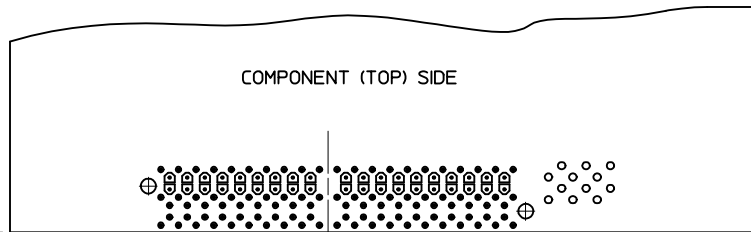
SECONDARY (BOTTOM) SIDE

Partial View
SCALE 4:1

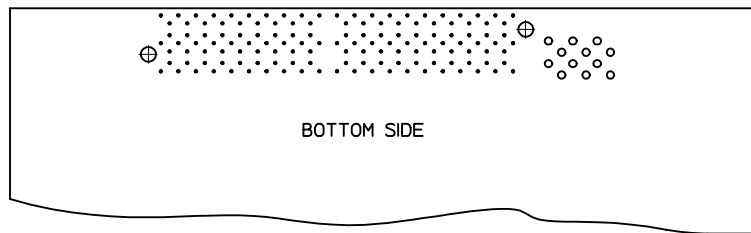
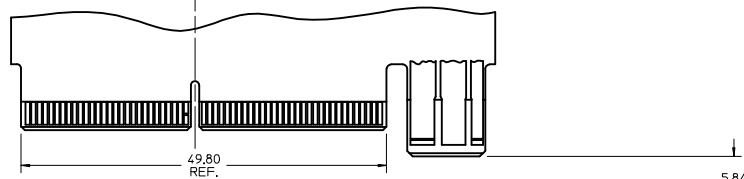


DETAIL W
SCALE 8:1

SEE SHEET 1 EC NO: UCP2013-0837 CHKD: SBGIEL APPROVED: MBANKAKIS DATE: 2012/07/13 DATE: 2014/03/05	QUALITY SYMBOLS	GENERAL TOLERANCES (UNLESS SPECIFIED)	DIMENSION STYLE	SCALE	DESIGN UNITS	THIRD ANGLE PROJECTION	
	▽=0	mm INCH	MM ONLY	4:1	METRIC	☉	
	▽=0	4 PLACES ±--- ±--- 3 PLACES ±--- ±--- 2 PLACES ±0.13 ±--- 1 PLACE ±0.25 ±---	DRAWN BY	DATE	TITLE	ASSEMBLY 093 COPLANAR CONNECTOR WITH POWER BAY	
	▽=0	ANGULAR ±1/2°	CHECKED BY	DATE	APPROVED BY	DATE	MOLEX INCORPORATED
	DRAFT WHERE APPLICABLE MUST REMAIN WITHIN DIMENSIONS	MATERIAL NO.	170305-0118	DOCUMENT NO.	SD-170305-0118	SHEET NO. 4 OF 5	
		THIS DRAWING CONTAINS INFORMATION THAT IS PROPRIETARY TO MOLEX INCORPORATED AND SHOULD NOT BE USED WITHOUT WRITTEN PERMISSION					



RELATIVE POSITION OF MATED PCB's
(CONNECTOR REMOVED)



SEE SHEET 1 IEC NO: UCP2013-0837 DRAWN BY: SBOGIEL CHKD: MBANKIS APPR: MBANKIS DATE: 2014/03/05	QUALITY SYMBOLS	GENERAL TOLERANCES (UNLESS SPECIFIED)	DIMENSION STYLE	SCALE	DESIGN UNITS	THIRD ANGLE PROJECTION
	▽=0	mm INCH	MM ONLY	3:1	METRIC	
	▽=0	4 PLACES ±---	DRAWN BY: SBOGIEL	DATE: 2012/07/13	TITLE: ASSEMBLY 093 COPLANAR CONNECTOR WITH POWER BAY	
	▽=0	3 PLACES ±---	CHECKED BY: SBOGIEL	DATE: 2012/07/13	MOLEX MOLEX INCORPORATED	
		ANGULAR ±1/2°	APPROVED BY: MBANKIS	DATE: 2014/03/05	MATERIAL NO. 170305-0118	DOCUMENT NO. SD-170305-0118
		DRAFT WHERE APPLICABLE MUST REMAIN WITHIN DIMENSIONS	SIZE D THIS DRAWING CONTAINS INFORMATION THAT IS PROPRIETARY TO MOLEX INCORPORATED AND SHOULD NOT BE USED WITHOUT WRITTEN PERMISSION			