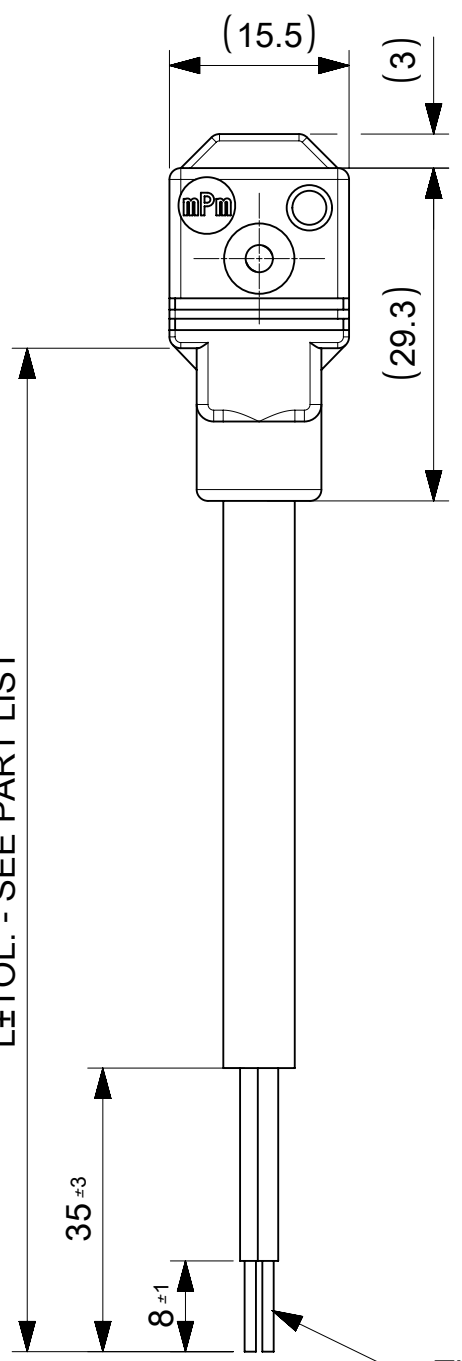
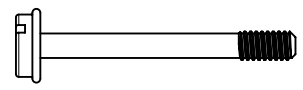


L±TOL. - SEE PART LIST

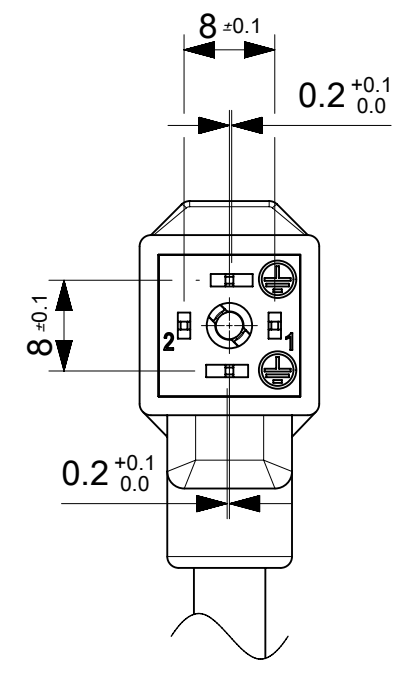
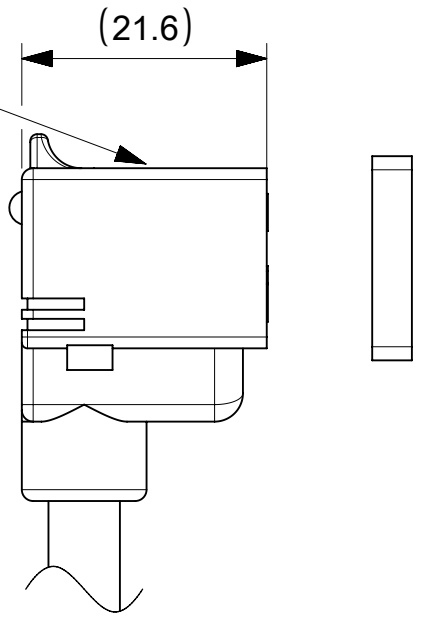


Tinned ends

WHITE TAMPO PRINTOUT



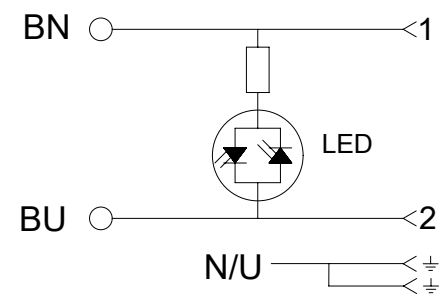
Type of Screw and Gasket see sheet 2, PN KEY



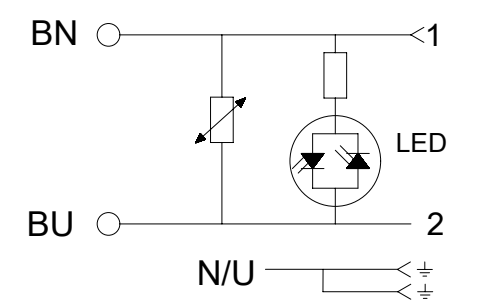
TABLICA TOLERANCJI DŁUGOŚCI
TABLE OF LENGHT TOLERANCES

POWYŻEJ OVER	DO-WŁĄCZNIE UP TO AND INCLUDING	TOLREANCJA TOLERANCE
0	1000	±20
1000	3000	±30
3000	5000	±40
5000	10000	±50
10000	15000	±100
15000	20000	±150
20000		±L/100

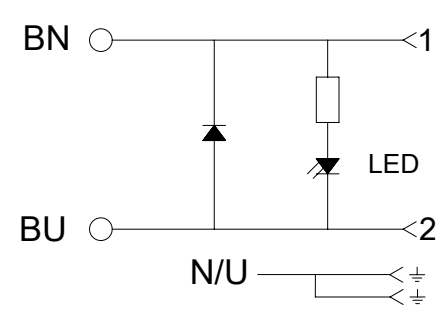
ELECTRICAL DIAGRAM A1



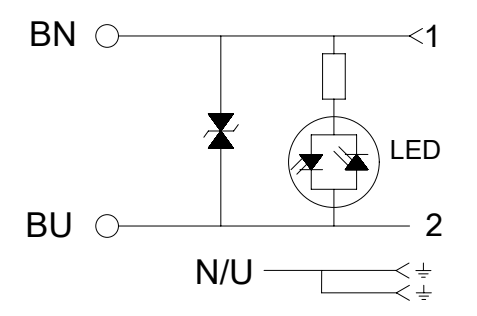
ELECTRICAL DIAGRAM C4



ELECTRICAL DIAGRAM C3

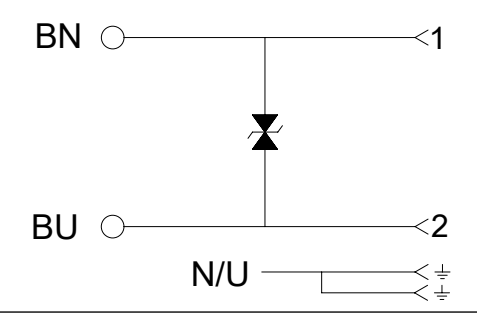


ELECTRICAL DIAGRAM S0

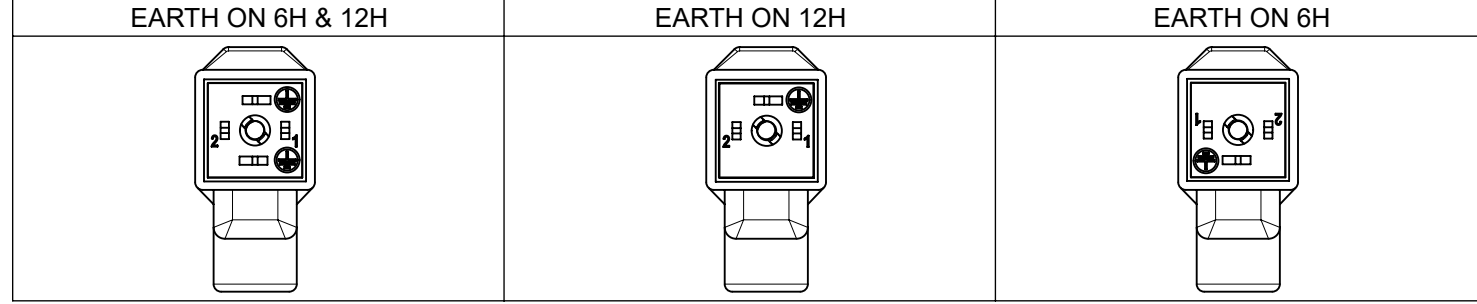


ATTENTION! IN CASE OF 1210180081 CABLE USE BLACK 1 INSTEAD OF BROWN, BLACK 2 INSTEAD OF BLUE

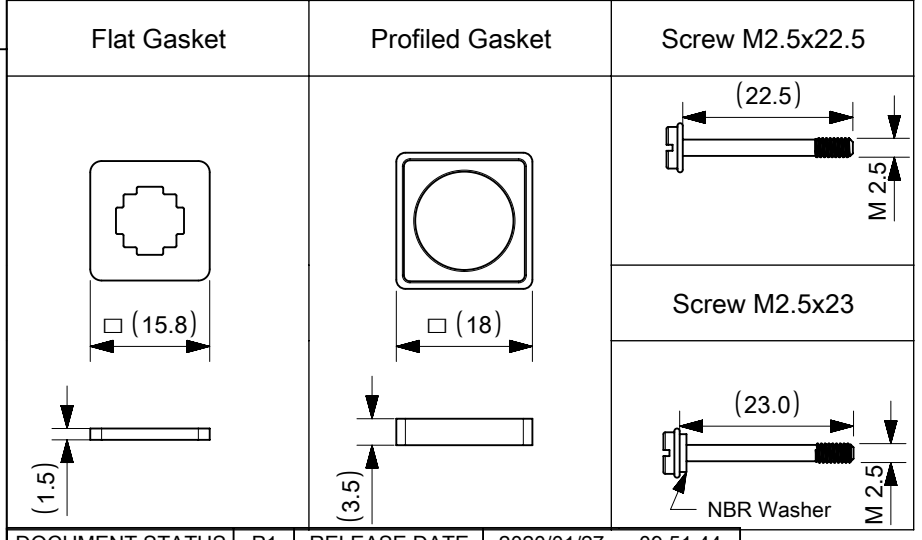
ELECTRICAL DIAGRAM S1



INSERT ORIENTATION



Type of Screw and Gaskets



SYMBOLS DIMENSION UNITS: mm SCALE: 3:2 GENERAL TOLERANCES (UNLESS SPECIFIED): ANGULAR TOL: ± ° 4 PLACES: ± 3 PLACES: ± 2 PLACES: ± 1 PLACE: ± 0 PLACES: ± DRAFT WHERE APPLICABLE MUST REMAIN WITHIN DIMENSIONS	THIS DRAWING CONTAINS INFORMATION THAT IS PROPRIETARY TO MOLEX ELECTRONIC TECHNOLOGIES, LLC AND SHOULD NOT BE USED WITHOUT WRITTEN PERMISSION CURRENT REV DESC: EC NO: 631158 DRWN: APAWLAK01 2020/01/23 CHK'D: RSILLER 2020/01/27 APPR: RSILLER 2020/01/27		 STANDARD E491 DIN FORM C	
	INITIAL REVISION: DRWN: APAWLAK01 2020/01/23 APPR: RSILLER 2020/01/27			
THIRD ANGLE PROJECTION 		DRAWING: A3-SIZE	SERIES: 121050	MATERIAL NUMBER: SEE PART LIST CUSTOMER: GENERAL MARKET SHEET NUMBER: 1 OF 2

