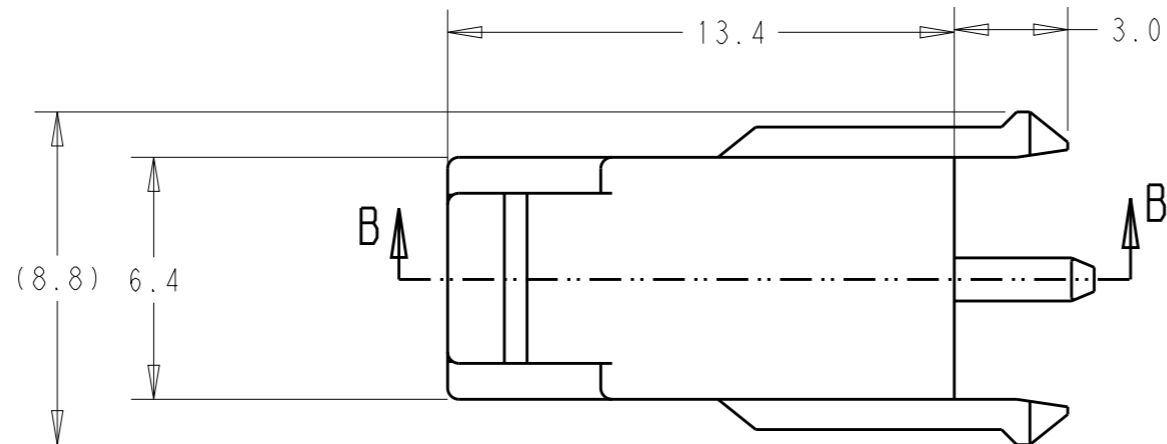
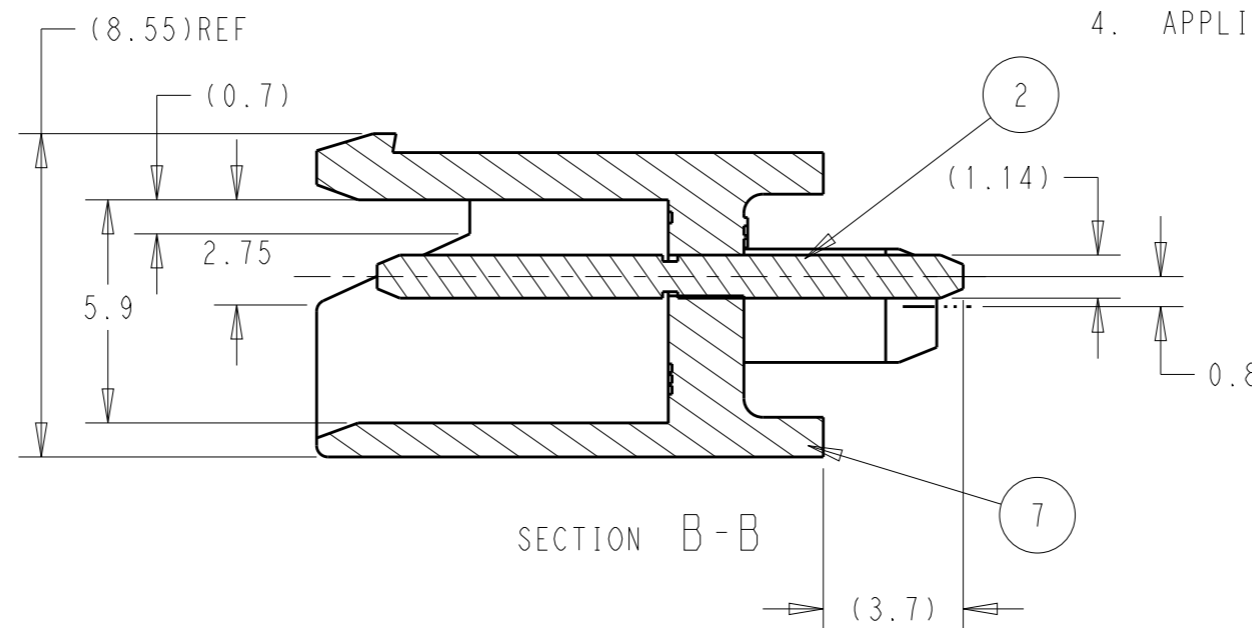
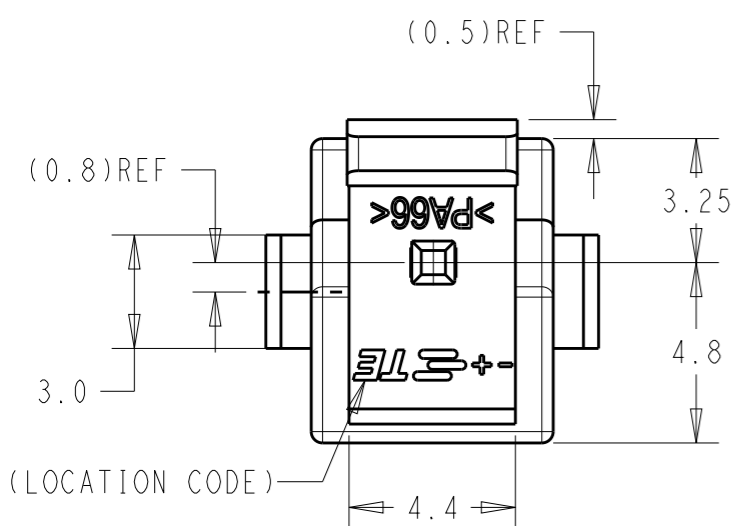


P	LTR	DESCRIPTION	DATE	DWN	APVD
	D1	REVISED PER ECR-20-100500	13OCT20	S.K	D.Z



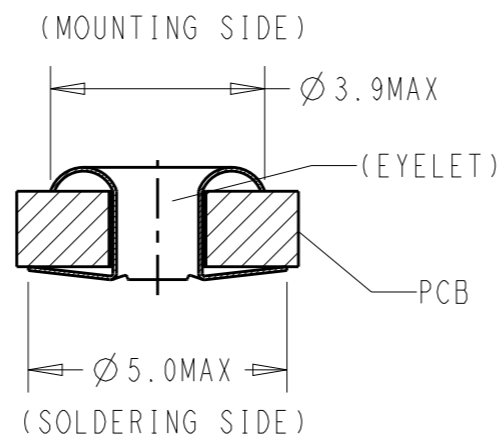
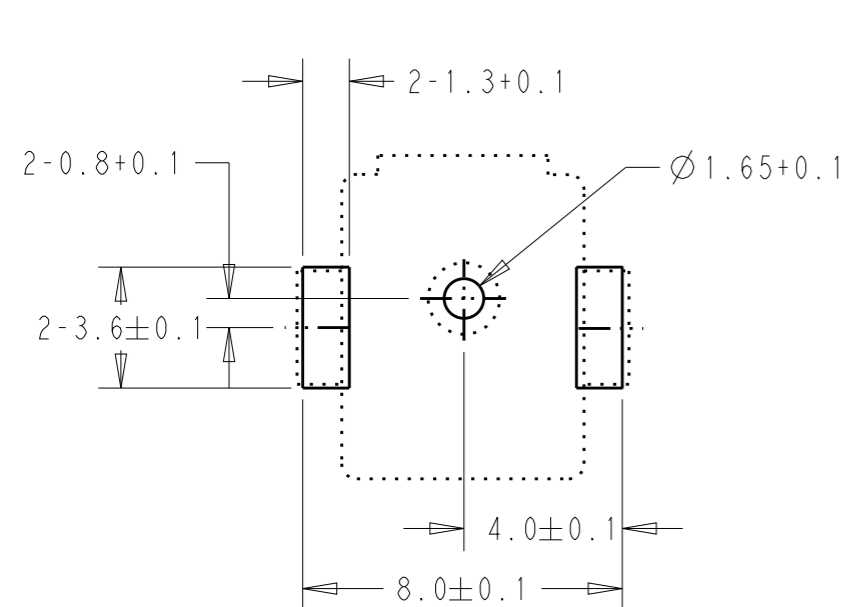
NOTES:

- MATING CONN P/N X-1123823-X
- APPLICABLE P.C.B LAYOUT : SEE FIG.1
DIMENSION OF HOLE DIA FOR POST MOUNTING FIG1 INDICATES WITHOUT EYELET.
- APPLICABLE EYELET : SEE FIG.2
- APPLICABLE P.C.B THICKNESS : 1.6±



(TABLE 1)

NO	NAME	MATERIAL
7	HEADER HOUSING	66NYLON UL94V-0
2	POST CONTACT	BRASS - TIN PL



3 FIG.2

BLACK	5-1123824-1
RED	4-1123824-1
BLUE	3-1123824-1
YELLOW	2-1123824-1
NATURAL	1-1123824-1
COLOR	PART NUMBER

THIS DRAWING IS A CONTROLLED DOCUMENT.		DWN K. KOMACHI 07APR03	TE Connectivity	
DIMENSIONS: mm		CHK M. SHINDO 07APR03		
TOLERANCES UNLESS OTHERWISE SPECIFIED:		APVD M. SHINDO 07APR03	NAME ECONOMY POWER(EP) CONN. HEADER ASSY 1POS	
0 PLC ±-		PRODUCT SPEC 108-5609	-	
1 PLC ±0.1		APPLICATION SPEC -	SIZE A3	CAGE CODE 00779
2 PLC ±0.01		WEIGHT -	DRAWING NO C=1123824	RESTRICTED TO -
3 PLC ±0.001		CUSTOMER DRAWING		
4 PLC ±0.0001		SCALE 5:1		
ANGLES ±-		SHEET 1 OF 1		
FINISH -		REV D1		
MATERIAL SEE TABLE 1				

2 FIG.1