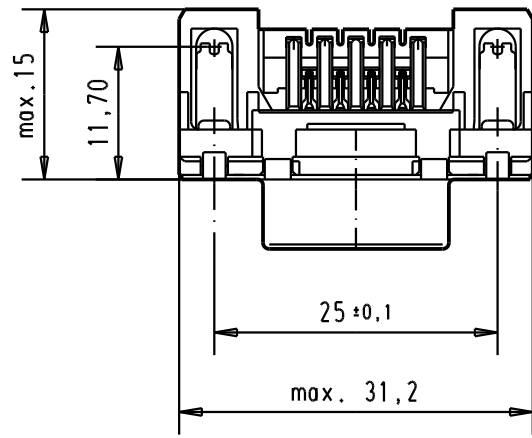
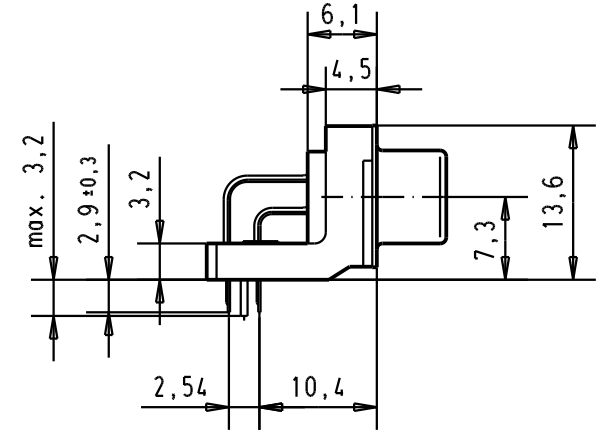
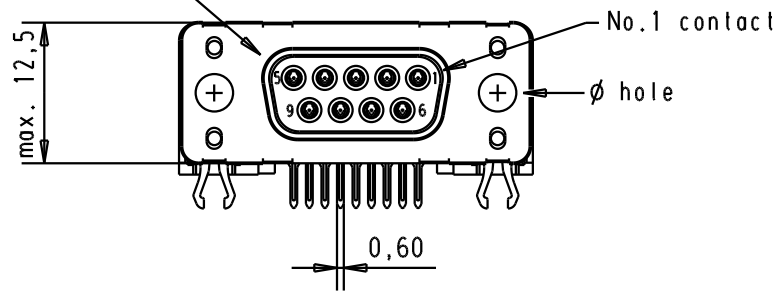
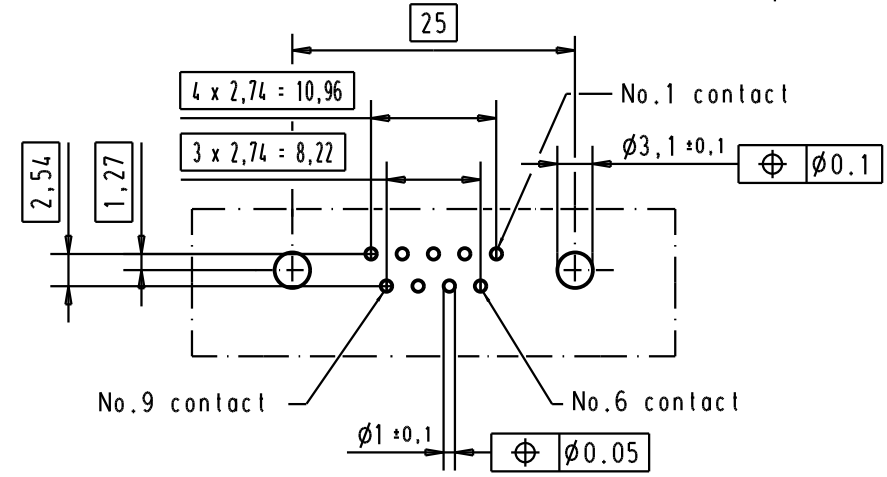


5 4 3 2 1



Mating face according to : MIL-C-24308 / DIN 41652 / CECC 75301-802



PCB layout hole component side



Connector retention and insertion forces on the PCB = 25 / 80 newtons

						Det.	Name	 All Dim. in mm Orig. Size DIN A 4	D-Sub 09 poles standard angle female, solder pin with hole and grounding board lock.	Moßstab/ Scale
						Insp.				1.5:1
						Stand.				
09 66 152 3610	3.1 ± 0.1	1	31892	05/05/04	JH					
09 66 152 6610	3.1 ± 0.1	2	31084	04/SEP/02	YT					
09 66 152 7610	3.1 ± 0.1	3	27957	20/nov/00	jfb					
Part number	ø hole	Performance level	Mod.	Dat.	Name	HARTING EURL F-95972 Paris			TB 0966152x61x	Blatt/ Page 4 / 5
									Sub.	