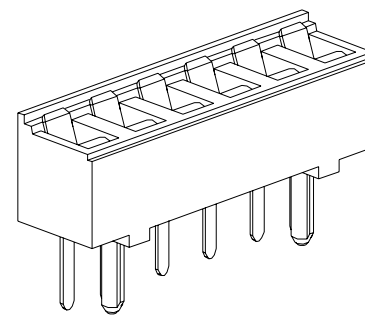
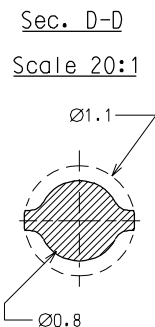
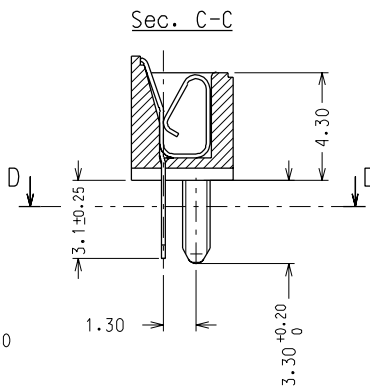
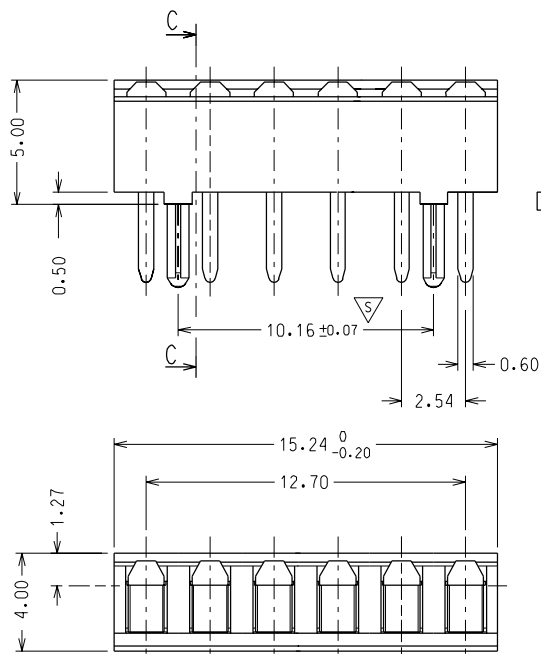


# STYLE 3



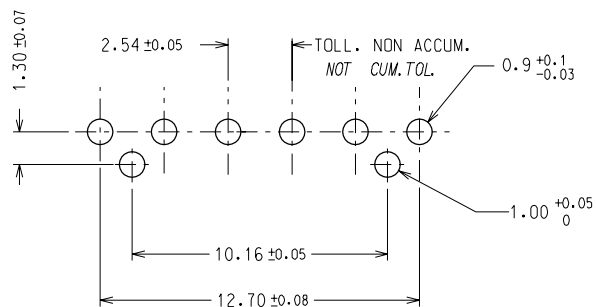
- \*) Insertion force into the PCB = 10 N max.
- \*) Retention force in the PCB = 1 N min.
- \*) Insertion force = 3.4 N/contact max.  $\nabla$

MATERIAL:  
 HOUSING: BLACK PBT, 30% G.F. UL 94 V 0  
 CONTACTS: PHOSPHOR BRONZE, 0.15 mm THICK  
 FINISH: PRETINNED

PKG: IN TUBES  
 SPQ 6300 PCS

FORD P/N= 98AP-18B921-CD

## FORATURA RACCOMANDATA SUL C.S. RECOMMENDED PCB LAYOUT



STD. DESCR.: "SIP SOCKET W/PEGS (insert circuit number) CKT"

EC NO. Z2002-0018 DRWN: S. BARBERI 29-08-01 CHK: M. TESTAGUZZA 29-08-01 APPR: R. MARTUCCI 29-08-01	QUALITY SYMBOLS MAJOR $\nabla$ M = SIGNIF. $\nabla$ S = 1 CRITICAL $\nabla$ C =	GENERAL TOLERANCES: (UNLESS SPECIFIED)		SCALE 5:1	DESIGN UNITS <input checked="" type="checkbox"/> mm <input type="checkbox"/> INCH	DIMENSIONS: <input type="checkbox"/> mm <input type="checkbox"/> INCH <input checked="" type="checkbox"/> mm ONLY	SHT REV	
		DRAWN BY & DATE E. FASOLO 14-04-97		CHECKED BY & DATE S. SORATO 14-04-97		TITLE: 6 CKT "SINGLE IN LINE" SOCKET WITH PEGS FOR FORD		
		APPROVED BY & DATE M. PREVIATO 14-04-97		CAD FILENAME		MATERIAL NO. 94100-0406	DRAWING NO. SD-94100-005	SHEET NO. 1/1
A	REV	DRAFT WHERE APPLICABLE MUST REMAIN WITHIN DIMENSIONS				THIS DRAWING CONTAINS INFORMATION THAT IS PROPRIETARY TO MOLEX INCORPORATED AND SHOULD NOT BE USED WITHOUT WRITTEN PERMISSION.		SIZE A3