

NOTES

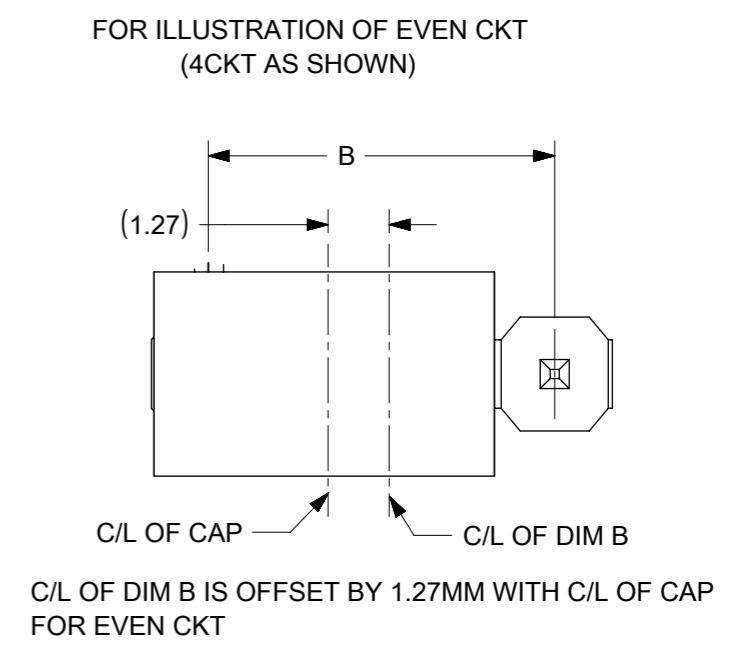
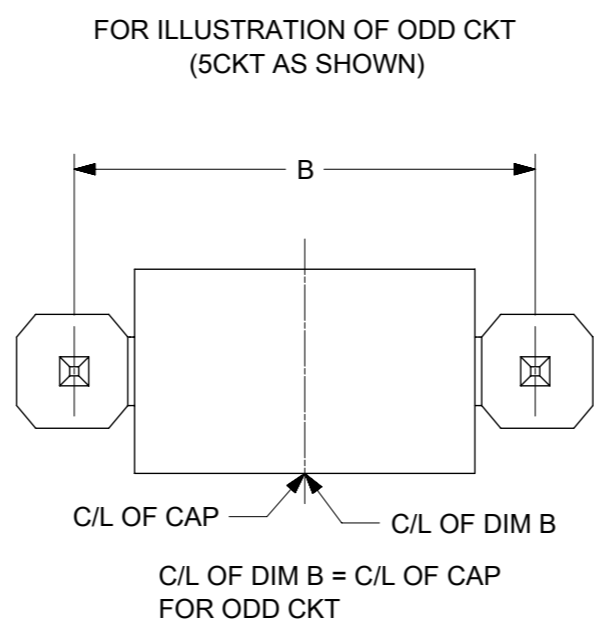
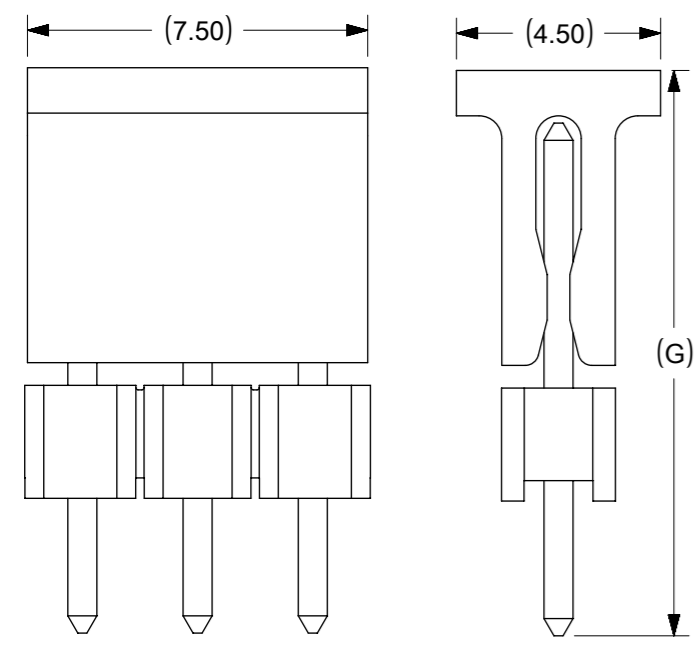
1. MATERIAL:
HSG: NYLON, GLASS-FILLED, UL94V-0 COLOR: BLACK
PIN: 0.64MM SQ, COPPER ALLOY
2. PLATING TYPE:
 - (1) GOLD FLASH OVER
1.25µm MIN. NICKEL OVERALL.
 - (2) GOLD FLASH ON CONTACT AND
2.50µm MIN. TIN ON SOLDER TAIL OVER
1.25µm MIN. NICKEL OVERALL.
 - (3) 0.38µm MIN. GOLD PLATE ON CONTACT AND
2.00µm MIN. TIN ON SOLDER TAIL OVER
1.25µm MIN. NICKEL OVERALL.
 - (4) 0.75µm MIN. GOLD PLATE ON CONTACT AND
2.00µm MIN. TIN ON SOLDER TAIL OVER
1.25µm MIN. NICKEL OVERALL.
 - (5) 2.50µm MIN TIN OVERALL
1.25µm MIN NICKEL OVERALL
3. PRODUCT SPECIFICATION: PS-87920-019
4. PACKAGING TYPE: SEE TABLE
5. WAFER TO BE FLAT WITHIN 0.003 mm/mm
6. RECOMMENDED PCB THICKNESS IS 1.60mm±0.10
7. IRREGULAR CIRCUIT CUTOFF WITHIN BREAKAWAY SECTION IS PERMISSIBLE. CUTTING OR CHIPPING OF THE MAIN BODY IS NOT ACCEPTABLE
8. THE ABOVE CKT 6 IS FOR ILLUSTRATION PURPOSE ONLY
9. PACKAGING SPECIFICATION:
TRAY: PK-89990-489
BULK: PK-89990-491
T&R : PK-87898-400
TUBE: PK-89990-934
10. REFER SHEET 2 FOR CAP LOCATION.

THIS DRAWING CONTAINS INFORMATION THAT IS PROPRIETARY TO MOLEX ELECTRONIC TECHNOLOGIES, LLC AND SHOULD NOT BE USED WITHOUT WRITTEN PERMISSION

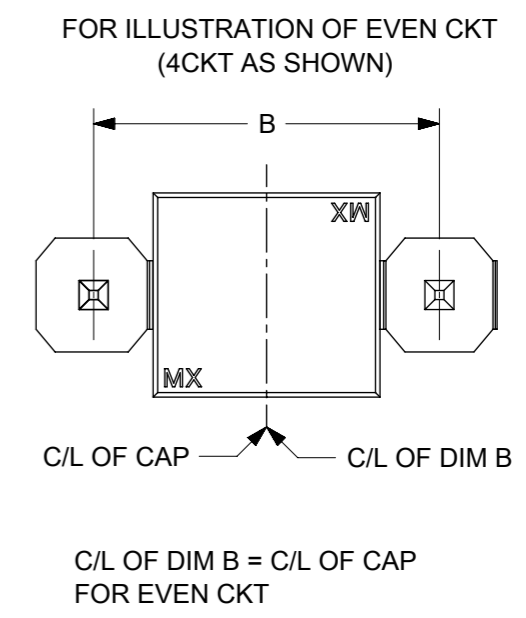
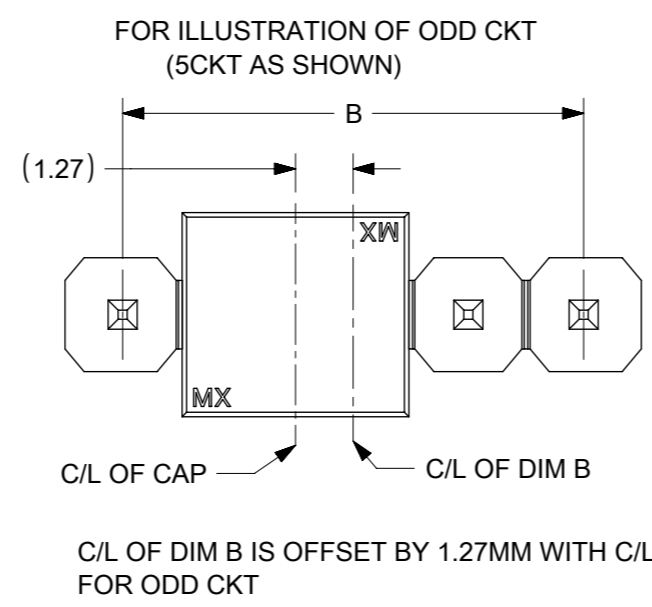
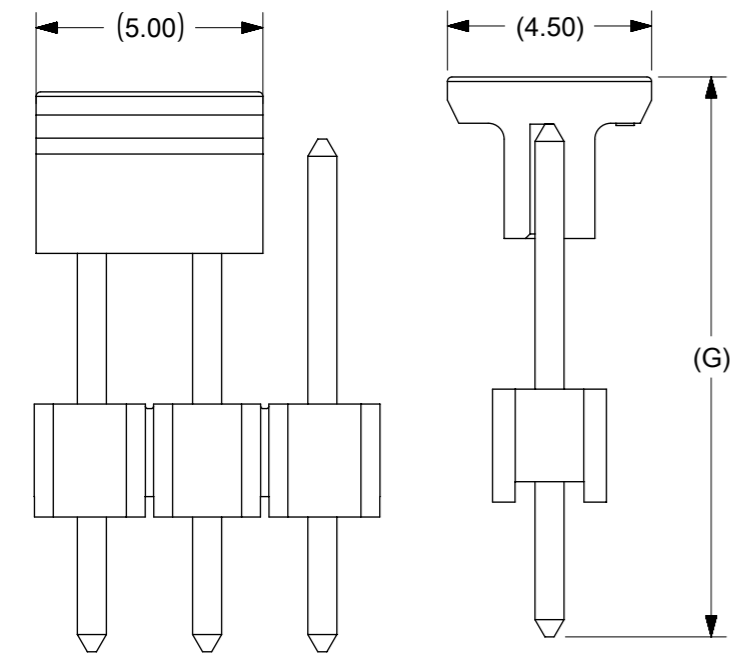
87891-0312 (RPN)/ADD 2019/07/18 2019/07/23	GENERAL TOLERANCES (UNLESS SPECIFIED)		DIMENSION UNITS	SCALE	molex®					
			MM	NTS						
	4 PLACES	±	MM	INCH	DRWN BY	DATE	CUSTOM HEADER 2.54MM PITCH, SINGLE ROW SINGLE WAFER, T/H HEADER			
	3 PLACES	±			KCHO	2004/03/24				
	2 PLACES	± 0.2			CHK'D BY	DATE				
	1 PLACES	±			PTLIM	2004/04/02	PRODUCT CUSTOMER DRAWING			
0 PLACES	±			APPR BY	DATE					
				SCLOW	2004/04/08	SERIES	MATERIAL NUMBER	CUSTOMER		
				ANGULAR TOL = 3.0	DRAWING SIZE	THIRD ANGLE PROJECTION	87891	SEE TABLE	GENERAL MARKET	
				DRAFT WHERE APPLICABLE MUST REMAIN WITHIN DIMENSIONS	A3		DOCUMENT NUMBER	DOC TYPE	DOC PART	SHEET NUMBER
D12	REV						SD-87891-001	PSD	000	1 OF 4

RELEASE STATUS	RELEASE DATE
----------------	--------------

CAP INFORMATION- CAP OPTION A



CAP INFORMATION- CAP OPTION B



THIS DRAWING CONTAINS INFORMATION THAT IS PROPRIETARY TO MOLEX ELECTRONIC TECHNOLOGIES, LLC AND SHOULD NOT BE USED WITHOUT WRITTEN PERMISSION

87891-0312 (RPN)/ADD 2019/07/18 2019/07/23	GENERAL TOLERANCES (UNLESS SPECIFIED)		DIMENSION UNITS	SCALE			
			MM	NTS			
	4 PLACES	±	MM	INCH		DRWN BY	DATE
	3 PLACES	±	KCHO	2004/03/24		CHK'D BY	DATE
	2 PLACES	± 0.2	PTLIM	2004/04/02		APPR BY	DATE
	1 PLACES	±	SCLOW	2004/04/08		DRAWING SIZE	THIRD ANGLE PROJECTION
0 PLACES	±			A3			
		ANGULAR TOL = 3.0					
		DRAFT WHERE APPLICABLE MUST REMAIN WITHIN DIMENSIONS					

CUSTOMER INFORMATION			
SERIES		MATERIAL NUMBER	
87891		SEE TABLE	
CUSTOMER		GENERAL MARKET	
DOCUMENT NUMBER		DOC TYPE	DOC PART
SD-87891-001		PSD	000
SHEET NUMBER		2 OF 4	

RELEASE STATUS	RELEASE DATE
----------------	--------------

CKT SIZE	DIMENSION		ASSY W/CAP IN T&R	ASSY W/O CAP IN T&R	ASSY W/O CAP IN TUBE	ASSY W/CAP IN TUBE	PART NO. W/O CAP IN TRAY PACKAGING	PART NO. IN BULK PACKAGING	CKT SIZE	VOID PIN	KINK PIN	(G)	DIMENSION			PLATING TYPE	CAP OPTION	REMARKS	
	A	B											OAL	MATING END	SOLDIER TAIL				
	(F)	M											P						
02	5.08	2.54											10.80	5.08	3.23	5	-	-	
03	7.62	5.08											12.29	6.80	3.00	3	-	-	
04	10.16	7.62											11.30	5.84	2.97	4	-	-	
05	12.70	10.16											10.80	5.08	3.23	5	-	-	
06	15.24	12.70											31.00	25.54	2.97	5	-	-	
07	17.78	15.24											7.29	2.40	2.40	5	-	-	
08	20.32	17.78											18.37	12.68	3.20	5	-	-	
09	22.86	20.32											26.49	20.80	3.20	5	-	-	
10	25.40	22.86											19.49	13.00	4.00	5	-	-	
11	27.94	25.40											14.98	13.98	7.49	4.00	5	A	-
12	30.48	27.94											12.14	5.84	3.81	4	-	-	
13	33.02	30.48											22.73	18.74	1.50	5	-	-	
14	35.56	33.02											13.72	9.65	1.78	6	-	-	
15	38.10	35.56											11.30	5.84	2.97	5	B	REFER RPK-87891-0311 (FOR 87891-0311)	
16	40.64	38.10											11.30	5.84	2.97	4	-	REFER RPK-87891-0312 (FOR 87891-0312)	
17	43.18	40.64											6.49	2.00	2.00	5	-	-	
18	45.72	43.18											10.80	5.89	2.41	5	-	-	
19	48.26	45.72											35.10	29.71	3.10	6	-	-	
20	50.80	48.26											31.00	25.54	2.97	5	-	-	
21	53.34	50.80											12.14	6.75	2.90	5	-	REFER 878910418-RPK (FOR 87891-0418)	
22	55.88	53.34											16.31	15.11	9.01	3.61	5	A	-
23	58.42	55.88											18.03	13.54	2.00	5	-	-	
24	60.96	58.42											13.09	8.00	2.80	5	A	-	
25	63.50	60.96											13.62	8.08	3.05	5	-	-	
26	66.04	63.50											10.80	5.89	2.41	5	-	-	
27	68.58	66.04											45.00	13.51	29.00	5	-	-	
28	71.12	68.58											45.00	13.51	29.00	3	-	-	
29	73.66	71.12											10.92	5.84	2.59	3	-	-	
30	76.20	73.66											11.38	5.84	3.05	5	-	-	
31	78.74	76.20											19.49	13.00	4.00	5	-	-	
32	81.28	78.74											23.62	17.32	3.81	5	-	-	
33	83.82	81.28											7.29	2.40	2.40	5	-	-	
34	86.36	83.82											10.10	9.89	2.80	4.60	5	A	-
35	88.90	86.36																	
36	91.44	88.90																	
37	93.98	91.44																	
38	96.52	93.98																	
39	99.06	96.52																	
40	101.60	99.06																	

THIS DRAWING CONTAINS INFORMATION THAT IS PROPRIETARY TO MOLEX ELECTRONIC TECHNOLOGIES, LLC AND SHOULD NOT BE USED WITHOUT WRITTEN PERMISSION

87891-0312 (RPN)/ADD 2019/07/18 2019/07/23 2019/07/23	GENERAL TOLERANCES (UNLESS SPECIFIED)		DIMENSION UNITS		SCALE	
			MM		NTS	
	4 PLACES	±	MM	INCH	DRWN BY	DATE
	3 PLACES	±			KCHO	2004/03/24
	2 PLACES	± 0.2			CHK'D BY	DATE
1 PLACES	±			PTLIM	2004/04/02	
0 PLACES	±			APPR BY	DATE	
				SCLOW	2004/04/08	
		ANGULAR TOL = 3.0		DRAWING SIZE	THIRD ANGLE PROJECTION	
		DRAFT WHERE APPLICABLE MUST REMAIN WITHIN DIMENSIONS		A3		

CUSTOM HEADER
2.54MM PITCH, SINGLE ROW SINGLE WAFER, T/H HEADER

PRODUCT CUSTOMER DRAWING


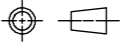
SERIES	MATERIAL NUMBER	CUSTOMER
87891	SEE TABLE	GENERAL MARKET

DOCUMENT NUMBER	DOC TYPE	DOC PART	SHEET NUMBER
SD-87891-001	PSD	000	3 OF 4

RELEASE STATUS	RELEASE DATE
----------------	--------------

ASSY WITHOUT CAP IN TUBE	ASSY WITHOUT W/CAP IN TUBE	ASSY W/CAP IN T&R	PART NO. IN TRAY PACKAGING	PART NO. IN BULK PACKAGING	CKT SIZE	VOID PIN	KINK PIN	(G)	DIMENSION			PLATING TYPE	CAP OPTION
									OAL	MATING END	SOLDIER TAIL		
									(F)	M	P		
-	-	-	87891-0601	-	06	-	-	-	11.30	5.84	2.97	1	-
-	-	-	87891-0602	-	06	-	-	-	12.80	8.00	2.31	5	-
-	-	-	87891-0606	-	06	-	-	-	11.30	5.84	2.97	5	-
-	-	-	87891-0607	-	06	-	-	-	13.75	8.08	3.18	5	-
-	-	-	87891-0608	-	06	-	-	-	18.03	13.54	2.00	5	-
-	-	-	87891-0609	-	06	-	-	-	28.30	22.16	3.65	5	-
-	-	87891-0613	-	-	06	-	-	22.99	21.99	16.00	3.50	5	A
-	-	-	87891-0615	-	06	-	-	-	14.49	10.00	2.00	1	-
-	-	-	87891-0751	-	07	-	-	-	13.74	8.00	3.25	5	-
-	-	87891-0007	-	-	07	-	-	-	13.72	9.65	1.78	6	-
-	-	-	87891-0851	-	08	-	-	-	13.74	8.00	3.25	5	-
-	-	87891-0807	-	-	08	-	-	13.59	12.59	7.90	2.20	5	A
-	-	-	-	87891-2601	26	4,7,17	-	-	11.13	5.59	3.05	3	-
-	-	87891-1817	-	-	18	-	-	18.36	17.20	13.21	1.50	5	A
-	-	87891-1818	-	-	18	-	-	18.36	17.20	13.21	1.50	3	A
-	-	-	87891-2007	-	20	-	-	-	21.49	9.50	9.50	1	-
-	-	87891-2817	-	-	28	-	-	18.36	17.20	13.21	1.50	5	A
-	-	87891-2818	-	-	28	-	-	18.36	17.20	13.21	1.50	3	A
-	-	-	-	87891-3600	36	-	-	-	11.56	6.09	3.18	2	-
87891-4007	-	-	-	-	40	-	-	-	12.14	5.84	3.81	3	-

THIS DRAWING CONTAINS INFORMATION THAT IS PROPRIETARY TO MOLEX ELECTRONIC TECHNOLOGIES, LLC AND SHOULD NOT BE USED WITHOUT WRITTEN PERMISSION

87891-0312 (RPN)ADD EC NO: 621103 DRWN: NMANE02 CHK'D: NMANE02 REV APPR: MRAMAKRISHNA 2019/07/18 2019/07/23 2019/07/23	GENERAL TOLERANCES (UNLESS SPECIFIED)		DIMENSION UNITS	SCALE	
			MM	NTS	
	4 PLACES	±	MM	DATE	
	3 PLACES	±	INCH	DRWN BY	
	2 PLACES	± 0.2		DATE	
	1 PLACES	±		CHK'D BY	
0 PLACES	±		DATE	2004/03/24	
			PTLIM	2004/04/02	
			SCLOW	2004/04/08	
		ANGULAR TOL = 3.0	DRAWING SIZE	THIRD ANGLE PROJECTION	
		DRAFT WHERE APPLICABLE MUST REMAIN WITHIN DIMENSIONS	A3		
			78791	SEE TABLE	GENERAL MARKET
			DOCUMENT NUMBER	DOC TYPE	DOC PART
			SD-87891-001	PSD	000
					SHEET NUMBER
					4 OF 4

RELEASE STATUS	RELEASE DATE
----------------	--------------