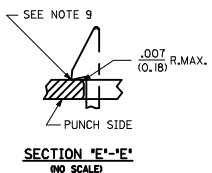
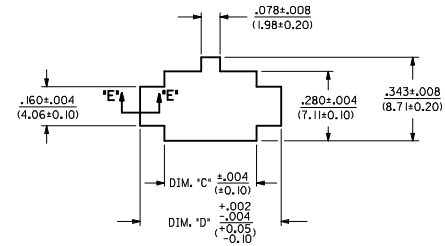
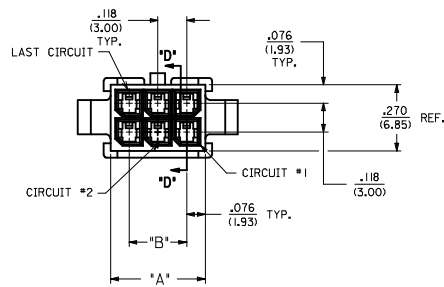


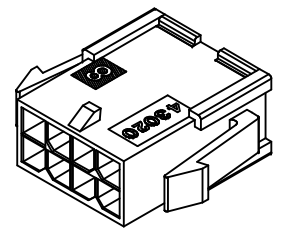
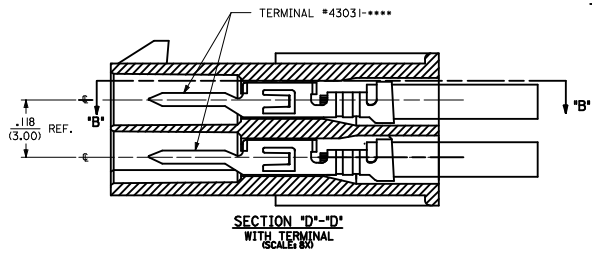
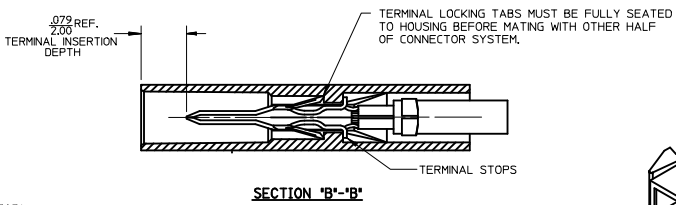
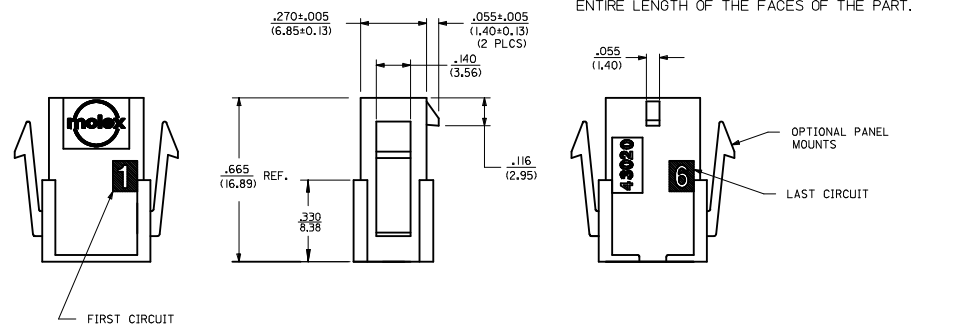
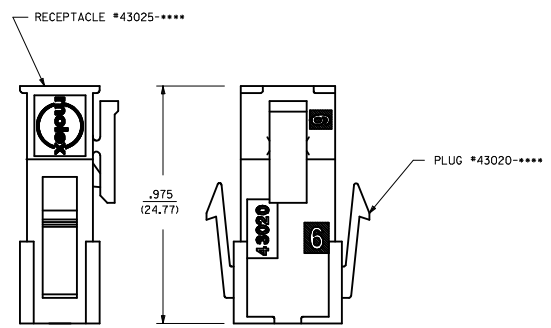
ASSEMBLY ITEM NUMBER	PART CHARACTERISTICS	
	NUMBER OF POSITION	PANEL MOUNT OPTION
43020-0210	02	YES
43020-0211	02	NO
43020-0410	04	YES
43020-0411	04	NO
43020-0610	06	YES
43020-0611	06	NO
43020-0810	08	YES
43020-0811	08	NO
43020-1010	10	YES
43020-1011	10	NO
43020-1210	12	YES
43020-1211	12	NO
43020-1410	14	YES
43020-1411	14	NO
43020-1610	16	YES
43020-1611	16	NO
43020-1810	18	YES
43020-1811	18	NO
43020-2010	20	YES
43020-2011	20	NO
43020-2210	22	YES
43020-2211	22	NO
43020-2410	24	YES
43020-2411	24	NO

CKT. NO.	DIM. 'A'	DIM. 'B'	DIM. 'C'	DIM. 'D'
2	.152/(3.86)	N/A	.166/(4.21)	.311/(7.90)
4	.270/(6.85)	.118/(3.00)	.284/(7.21)	.429/(10.90)
6	.388/(9.85)	.236/(6.00)	.402/(10.21)	.547/(13.89)
8	.506/(12.85)	.354/(9.00)	.520/(13.21)	.665/(16.89)
10	.624/(15.85)	.472/(12.00)	.638/(16.21)	.783/(19.89)
12	.742/(18.85)	.591/(15.00)	.756/(19.21)	.901/(22.89)
14	.860/(21.85)	.709/(18.00)	.874/(22.21)	1.019/(25.88)
16	.978/(24.85)	.827/(21.00)	.992/(25.21)	1.137/(28.88)
18	1.096/(27.85)	.945/(24.00)	1.110/(28.21)	1.255/(31.88)
20	1.215/(30.85)	1.063/(27.00)	1.229/(31.21)	1.373/(34.87)
22	1.333/(33.85)	1.181/(30.00)	1.347/(34.21)	1.491/(37.87)
24	1.451/(36.85)	1.299/(33.00)	1.465/(37.21)	1.609/(40.87)

- NOTES:
- HOUSING MATERIAL: UNFILLED NYLON, UL 94V-2, IEC 60335-1, 4TH EDITION GLOW WIRE CAPABLE, COLOR - BLACK
*MATERIAL NUMBERS ON THIS DRAWING ARE GLOW WIRE CAPABLE SINCE INCEPTION
 - FINISH: N/A
 - PRODUCT SPECIFICATION: PS-43045
 - PACKAGING SPECIFICATION: PK-43020-001
 - THIS HOUSING MATES WITH MICRO-FIT RECEPTACLE #43025-****
 - THIS HOUSING TO BE USED WITH MOLEX MALE TERMINAL #43031-****
 - DESIGNED FOR .055/(1.4) MINIMUM TO A .100/(2.54) MAXIMUM THICK PANEL OR PRINTED CIRCUIT BOARD.
 - SEE SECTION 'D'-'D' FOR TERMINAL ORIENTATION IN HOUSING.
 - PANEL MOUNT FEATURES MUST LOCK ON SIDE OPPOSITE PUNCH SIDE FOR OPTIMUM RETENTION.
 - THIS PART CONFORMS TO CLASS 'B' REQUIREMENTS OF COSMETIC SPECIFICATION PS-45499-002, WITH THE EXCEPTION THAT FLASH, DISCOLORATION, AND SINK MEET CLASS 'C' REQUIREMENTS.
 - HOUSINGS MAY HAVE DISCOLORATION AREAS THAT DO NOT AFFECT FUNCTIONALITY. DISCOLORATION AREAS MAY EXTEND ACROSS THE ENTIRE LENGTH OF THE FACES OF THE PART.



RECOMMENDED PANEL CUT-OUT (SEE NOTES 7 & 9)



PLUG WITH OPTIONAL PANEL MOUNTS ISO VIEW (8 CIRCUIT SHOWN)

MATED MICRO-FIT CONNECTOR

UPDATE PUNCHED HOLE EC NO: UCP2017-0525 DRWN:JOUILES 2016/09/01 CHKD:SSOUSEK 2016/09/01 APPR:FSMITH 2016/10/07	QUALITY SYMBOLS ▽=0 ▽=0 ▽=0	GENERAL TOLERANCES (UNLESS SPECIFIED)	DIMENSION STYLE		SCALE	DESIGN UNITS	THIRD ANGLE PROJECTION
			IN/MM				
A1	DESCRIPTION	DRAFT WHERE APPLICABLE MUST REMAIN WITHIN DIMENSIONS	4 PLACES ± ---	± ---	DRAWN BY JMONT1	DATE 2015/06/16	TITLE MICRO-FIT(3.0) PLUG WITH OPTIONAL PANEL MOUNTS GLOW WIRE
			3 PLACES ± ---	± .010			
			2 PLACES ± 0.25	± .014	APPROVED BY FSMITH	DATE 2016/10/07	DOCUMENT NO. SD-43020-002
			1 PLACE ± 0.35	± ---	SHEET NO. 1 OF 1		
			0 PLACE ± ---	± ---	MATERIAL NO. SEE CHART		
THIS DRAWING CONTAINS INFORMATION THAT IS PROPRIETARY TO MOLEX INCORPORATED AND SHOULD NOT BE USED WITHOUT WRITTEN PERMISSION							