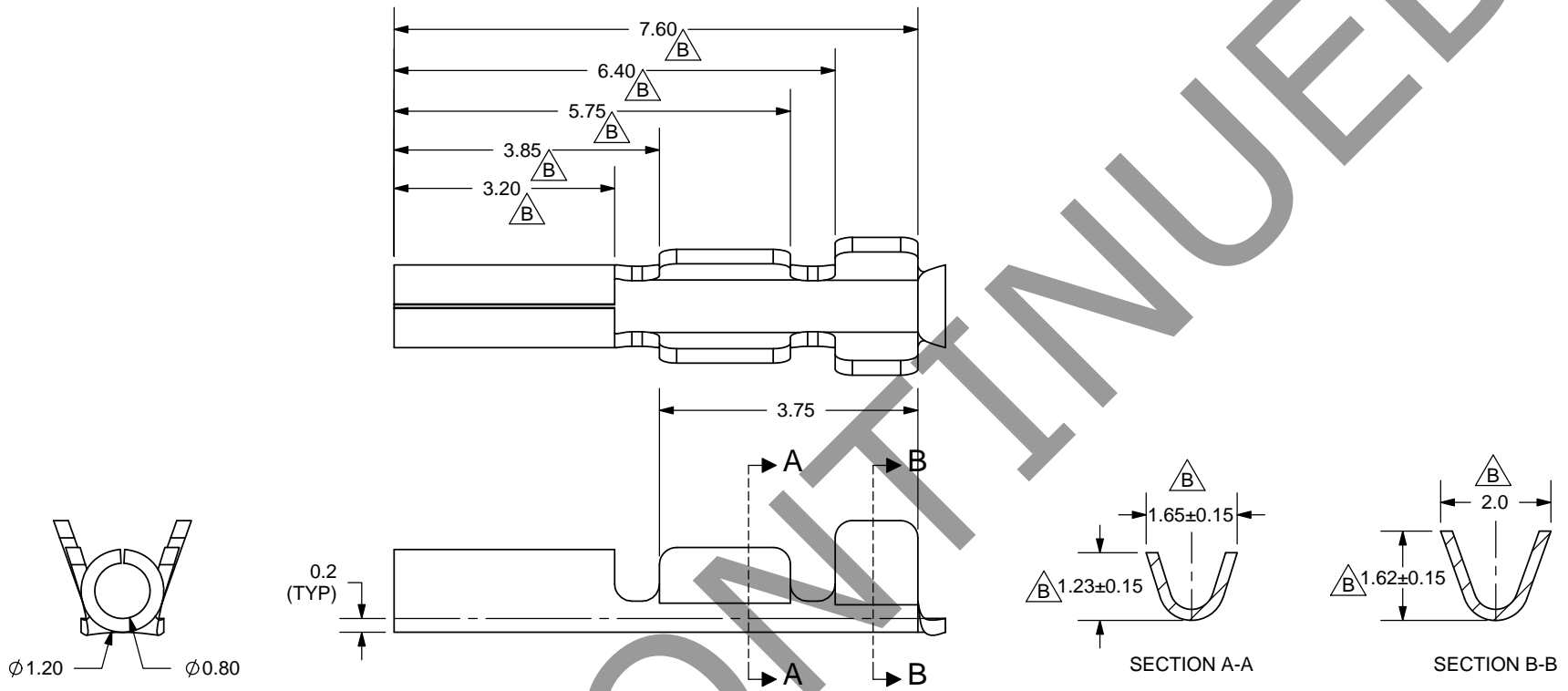


REV.	DESCRIPTION	DATE
A	NEW DRAWING	7/24/2007
B	Updated Dimensions	8/10/2012



WIRE GAUGE: 26-28 AWG

TOLERANCE:
 $\pm 0.1\text{mm}$ unless otherwise noted



20050 SW 112th Ave.
 Tualatin, OR 97062
 Phone: 503-612-2300
 800-275-4899
 Fax: 503-612-2383
 Website: www.cui.com

TITLE: CRIMP PIN		REV: B
PART NO. T-0006		UNITS: MM [INCHES]
DRAWN BY: RDS	APPROVED BY:	SCALE: 8:1

PC FILE NAME:
 T-0006

COPYRIGHT 2007 BY CUI INC.