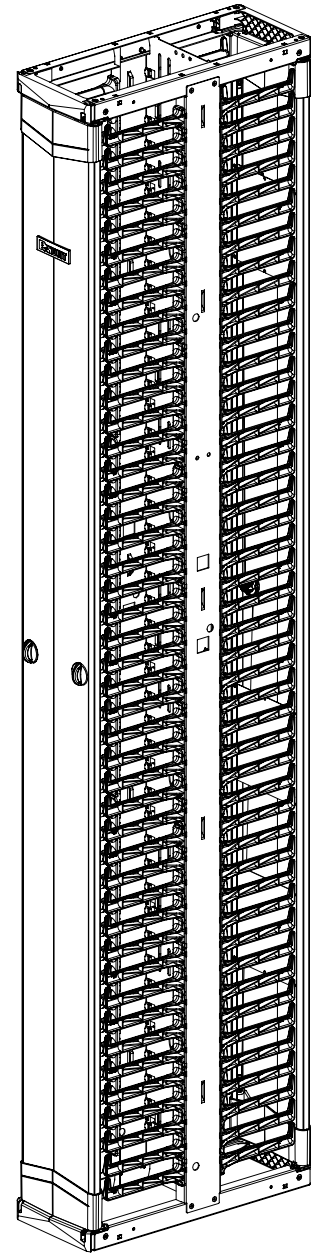
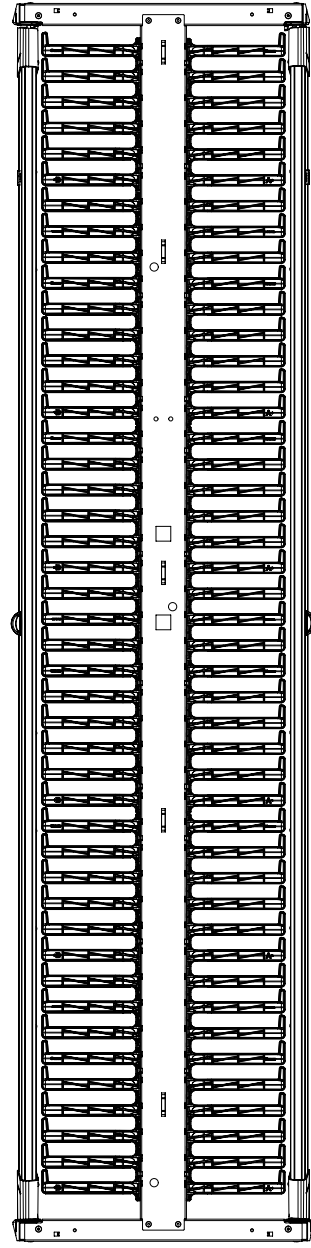
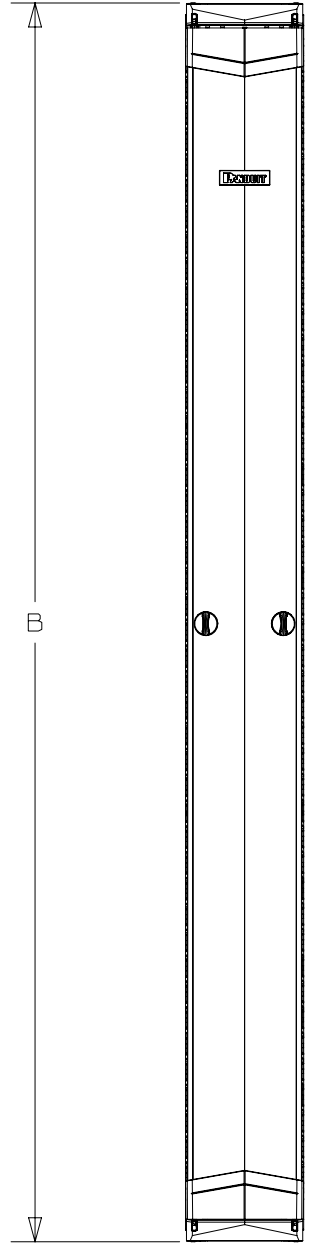


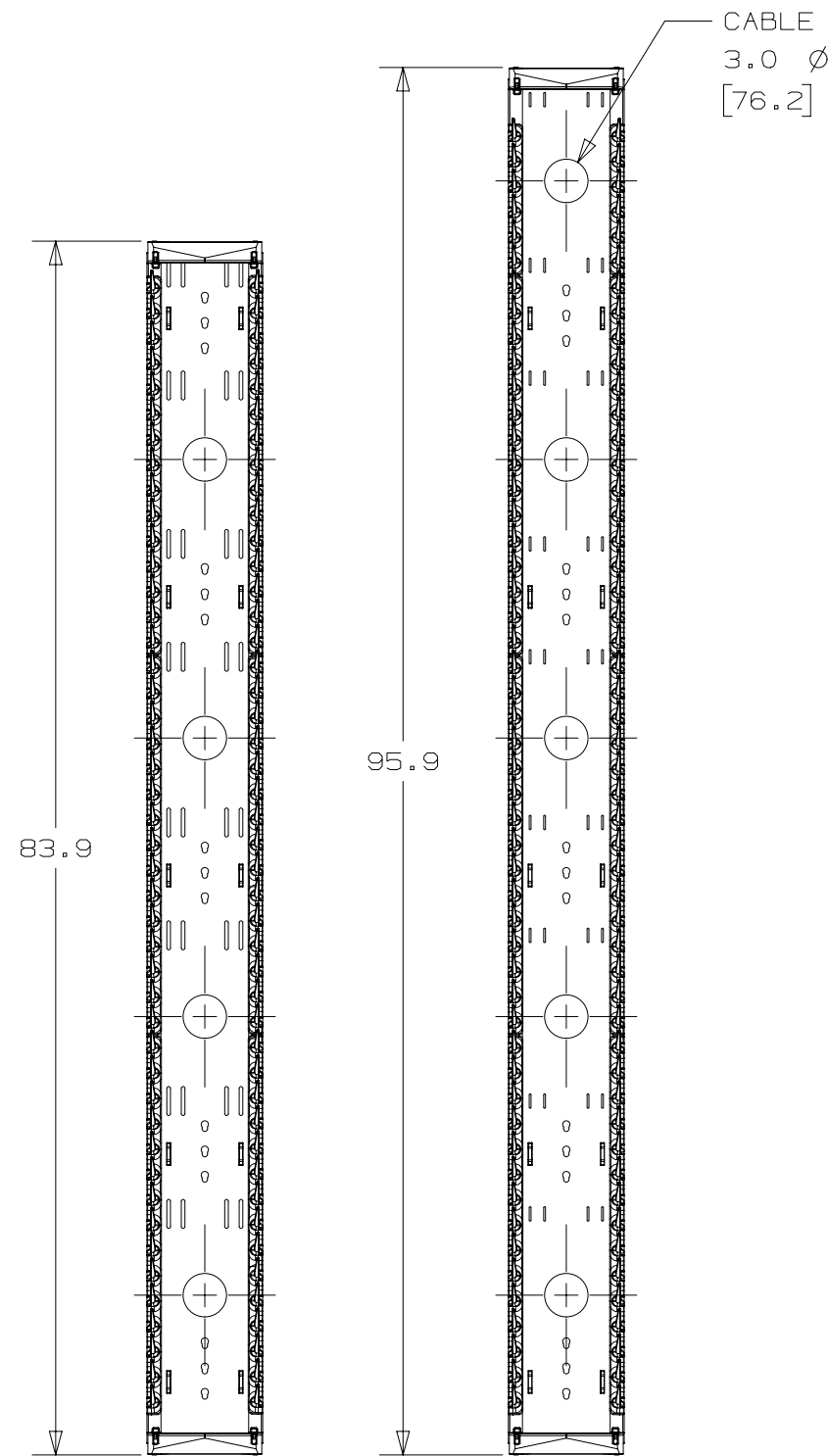
DISTANCE OF OPEN DOOR



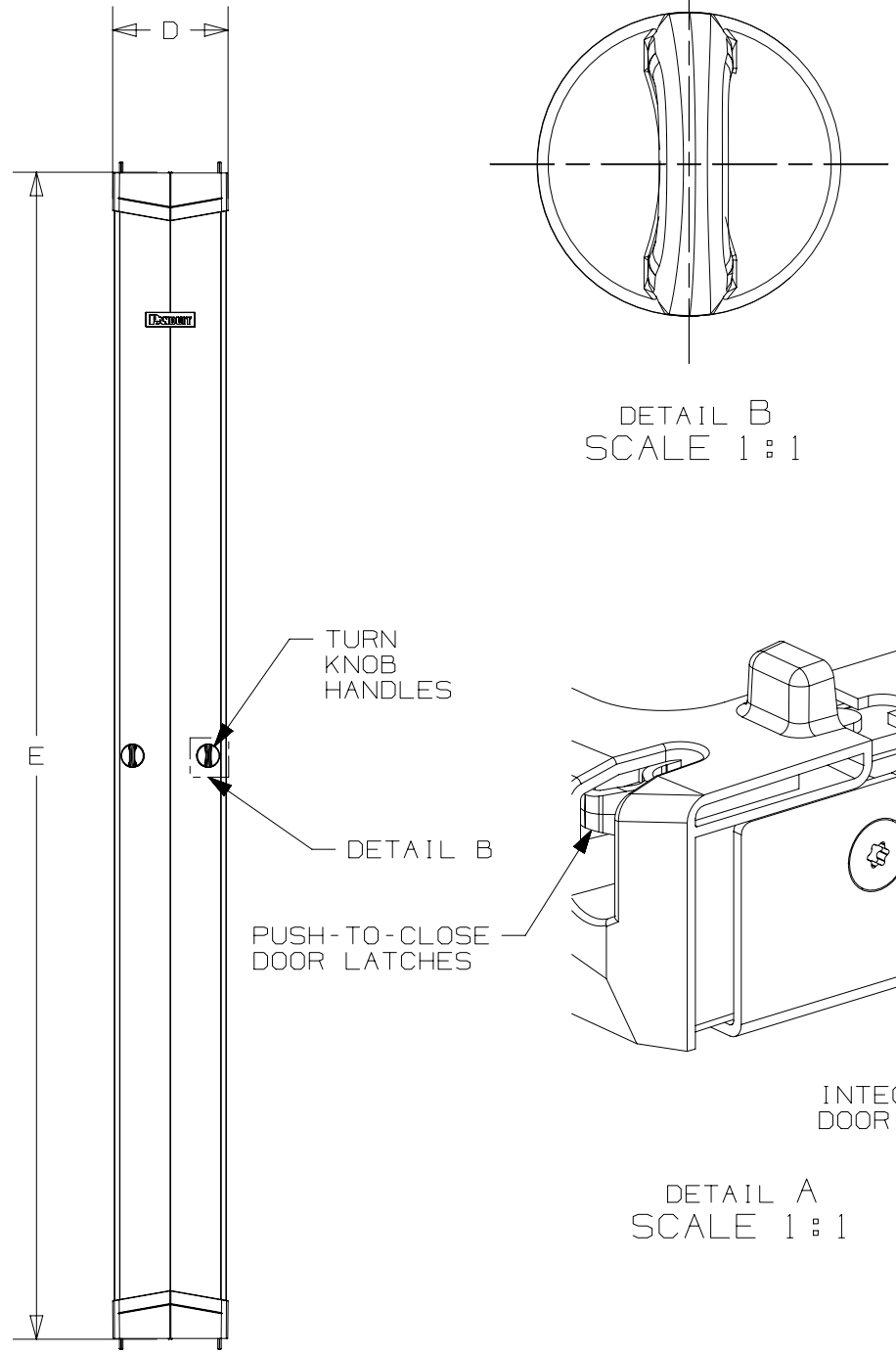
- NOTES:
- VISIT OUR ON-LINE CATALOG AT [WWW.PANDUIT.COM](http://WWW.PANDUIT.COM) FOR A LIST OF CURRENT PARTS APPLICABLE FOR USE WITH THIS PRODUCT.
  - DIMENSIONS IN [ ] ARE METRIC.
  - WEIGHT: SEE TABLE ON PAGE 3
  - PART INCLUDES:
    - 1- PATCHRUNNER 2 VERTICAL MANAGER, FRONT AND REAR FINGERS
    - 2- PATCHRUNNER 2 DUAL HINGE DOOR, FOR VERTICAL CABLE MANAGER
    - 1- HARDWARE KIT
  - CAN BE USED WITH ANY 19 OR 23 INCH EIA STANDARD RACK
  - ALL DIMENSIONS ARE REFERENCE ONLY.

PART NUMBER		PR2VD**	
TITLE			
PATCHRUNNER 2 VERTICAL CABLE MANAGER, FRONT AND REAR FINGERS AND DOORS CUSTOMER DRAWING			
ITEM REVISION NAME		14V455LV/00	
DATASET FILE NAME		14V455LV_DC/00C	
		MATERIAL: BACKBONE & DOOR SKIN: STEEL FINGERS, CROSSBARS, DOOR ENDS, DOOR KNOBS: ABS HINGE PINS & HINGE LATCHES: POLYCARBONATE	
		DRAWING NUMBER: 14V455LV-DC	
DRAWN BY BJN		DATE 10-24-17	
CHK JCO		SCALE NONE	
THIRD ANGLE PROJECTION		SHT 1 OF 3	
		SIZE B	

REV	DATE	BY	CHK	APR	DESCRIPTION	ECN
00C	4-17-18	BJN	JCO	JEFK	ADDED ** TO 96" PART NUMBERS	14V455LV-DC



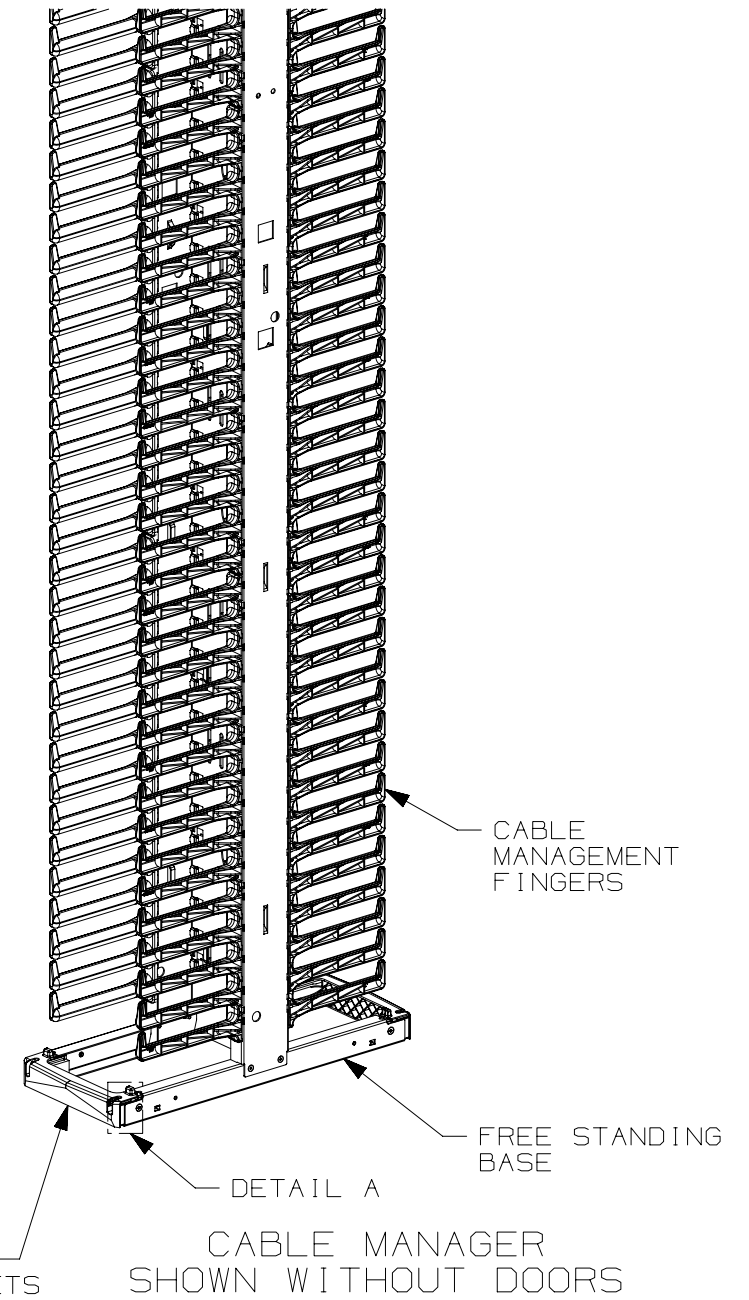
CABLE MANAGER SHOWN WITHOUT DOORS



DOOR

DETAIL A SCALE 1:1

DETAIL B SCALE 1:1



CABLE MANAGER SHOWN WITHOUT DOORS

PART NUMBER		PR2VD**	
TITLE		PATCHRUNNER 2 VERTICAL CABLE MANAGER, FRONT AND REAR FINGERS AND DOORS	
ITEM REVISION NAME		14V455LV/00	
DATASET FILE NAME		14V455LV_DC/00C	
MATERIAL:		BACKBONE & DOOR SKIN: STEEL FINGERS, CROSSBARS, DOOR ENDS, DOOR KNOBS: ABS HINGE PINS & HINGE LATCHES: POLYCARBONATE	
DRAWING NUMBER:		14V455LV-DC	
DRAWN BY		DATE	THIRD ANGLE PROJECTION
BJN		10-24-17	THIRD ANGLE PROJECTION
CHK		SCALE	SIZE
JCO		NONE	B
SHT 2 OF 3			

REV	DATE	BY	CHK	APR	DESCRIPTION	ECN
00C	4-17-18	BJN	JCO	JEFK	SEE SHEET 1 FOR REVISION HISTORY	14V455LV-DC

D10100DBV17

