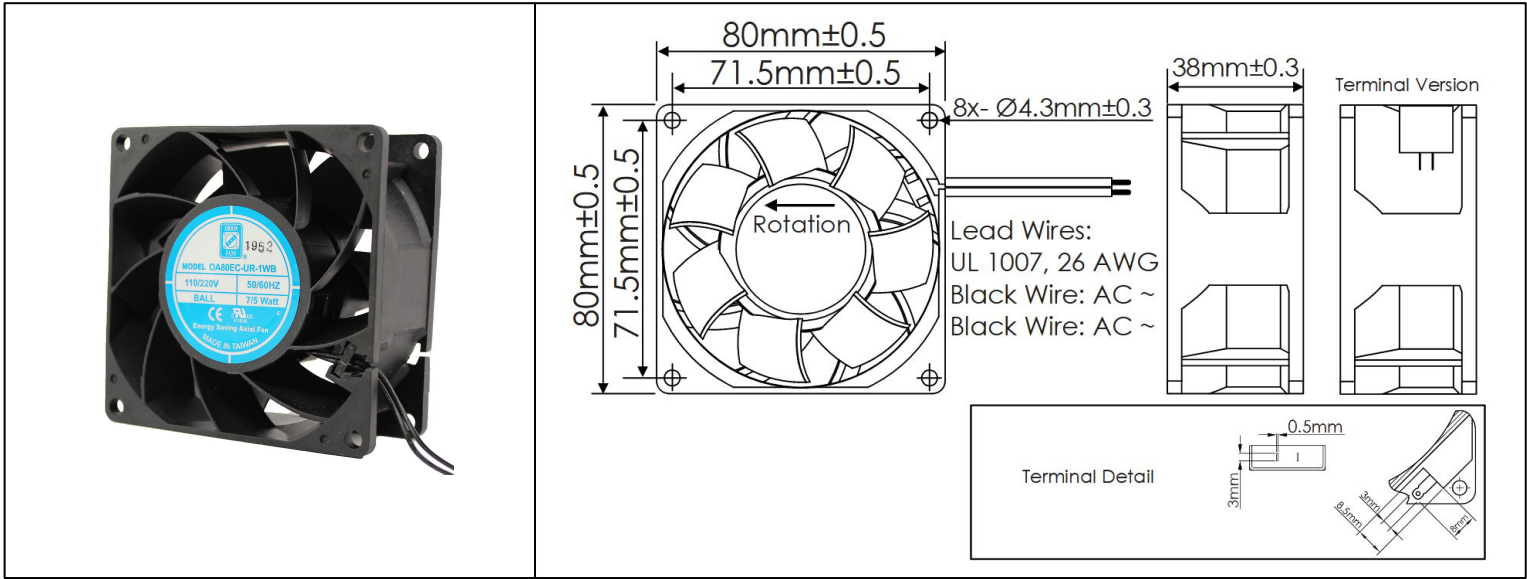


OA80EC Series



EC Fan Universal Voltage
80mm x 38mm (3.15" x 1.50")



Frame	PBT, UL 94 V-0 Plastic	<u>Operating Temperature</u> -20°C ~ +65°C <u>Storage Temperature</u> -20°C ~ +75°C <u>Life Expectancy</u> 70,000 Hours (L10 at 40°C) Weight: 0.39 lbs	
Impeller	PBT, UL 94 V-0 Plastic		
Connection	2x Wire Leads, 26 AWG		
Motor	Electronically Commutated, Electronically Protected		
Bearing System	Ball Bearings		
Dielectric Strength	1500VAC/min, <1mA		
Insulation Resistance	≥10MΩ @ 500V DC		

Part Number	OA80EC-UR-1*B
Rated Voltage (Volts AC)	110/220
Voltage Range (Volts AC)	85 ~ 265
Power Frequency (Hz)	50/60
Rated Power (Watts)	7 ~ 5 (6.5 Typical)
Rated Speed (RPM)	3000
Max Airflow (CFM)	38.6
Noise Level (dBA)	32.3
Max Static Pressure ("H ₂ O)	0.22

*Insert "W" for Wire Leads or "T" for Terminals.