



Dual high-Low Alarm Relay

LLA

Specifications

Electrical

Input Supply Voltage: 12, 24, 120 or 240 VAC, 10%
Frequency: 50/60Hz
Power Consumption: 2VA
Sensitivity Range: 5K to 100KΩ
Pick-Up/Drop-Out Delay: .5 Sec. Fixed
Max. Probe Voltage: 16 Volts AC
Output Rating @ 25°C:
 10 Amps @ 120VAC
 5 Amps @ 250VAC, 30VDC
 300W (D.C.), 1600VA (A.C.) Max.
 switching power (resistive)
 100,000 Full Load Electrical Cycles
 20,000,000 Mechanical Cycles

Indicators

2 Status LEDs: Inputs closed
1 Relay LED: Relay Energized

Physical

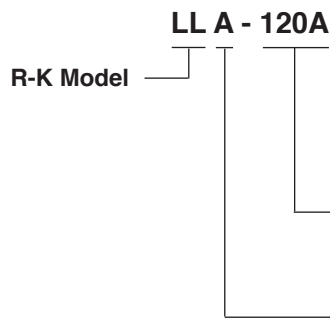
Mounting: Plug -In
Termination: 8 Pin Octal
Packaging: Dust Cover
Weight: 9 Oz.

Ambient Temperatures

Operating: 0°C to 40°C
Storage: -40°C to 85°C



Ordering Information

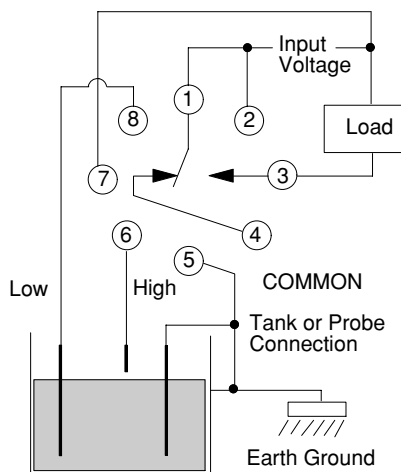


Supply Voltage
 12A - 11 -16VAC
 24A - 20 -29VAC
120A - 100 -125VAC
 240A - 200 - 240VAC

Operation
A - High & Low Dual Alarm
 pin 6 is NO, pin 8 is NC input

- **Conductive or Float Switch Inputs**
- **Dual Alarm Operation**
- **5K to 100KΩ Sensitivity, Adj.**
- **Low AC Sense Voltage**
- **10 Amp Contacts**
- **Noise Filter**
- **Nuisance Delay**

Connections



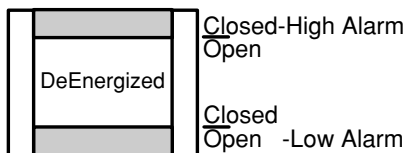
Operation

Dual High & Low Alarm Relay

The LLA accepts inputs that are either conductivity (resistance) and/or float switches. Internal logic circuitry determines the alarm condition.

No Alarm: Low Closed and High open
Low Alarm: Both inputs open
High Alarm: Low and high inputs closed

Diagnostic LEDs indicate the status of the two inputs and output relay state. Probe sensitivity is adjustable to control effects of liquid wiskers from the level probes.



Dimensions

