

Product Change Notification

PCN19-03-ITS R3 LED and Button Design

C&K

2 rue Berthollet - B.P. 359 F-39105 Dole Cedex - France
Tel : +33 (0)3 84 72 81 12 www.ckswitches.com

Document subject to change without prior notice

Document revision

Revision	Date	Description	Author
A	April 30, 2019	Change of LED style and button design on ITS R3 version	J. Smolinski

C&K

2 rue Berthollet - B.P. 359 F-39105 Dole Cedex - France
Tel :+33 (0)3 84 72 81 12 www.ckswitches.com

Document subject to change without prior notice

Summary

1. Purpose	4
2. Overview	4
3. Impact of Change and Qualification	5
4. Part numbers affected	6
5. Date of application and conditions of application	6
6. Support	6

C&K

2 rue Berthollet - B.P. 359 F-39105 Dole Cedex - France
Tel :+33 (0)3 84 72 81 12 www.ckswitches.com

Document subject to change without prior notice

1. Purpose

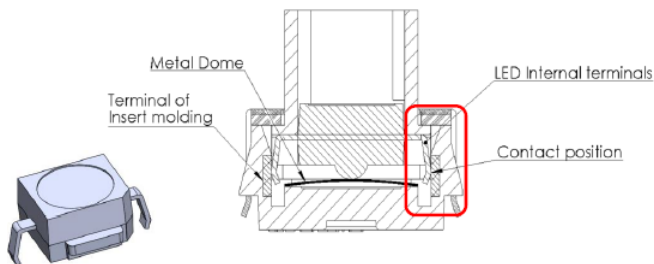
C&K, as design and manufacturing company for micro-miniature tact switches, is constantly looking to improve the manufacturing means and processes in order to continue serving its customers with the highest performance level

As part of this continuous improvement policy we are bringing modifications to the LED and the button design on our ITS R3 style, the full SMT version. These changes are being brought for a better stability of the LED during assembly and after switch soldering.

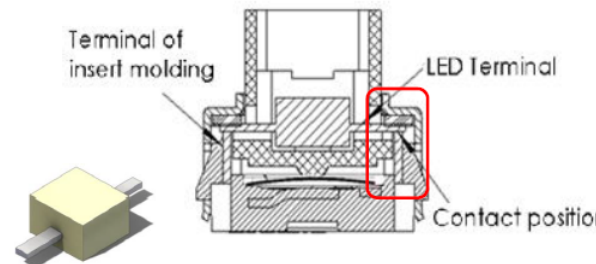
2. Overview

2.1 LED shape and conduction mode

ITSXXF R3 SX: The conduction position is on the side of the LED terminal. And the contact will follow the button slide.

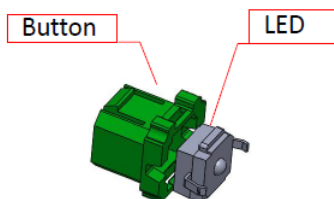


ITSXXF R3N SX: The conduction position is under the LED terminal. The contact is fixed

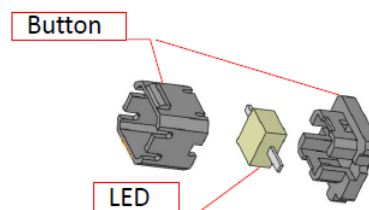


2.2 Button Design

ITSXXF R3 SX: The LED is mounted inside the button and the LED moves with the button



ITSXXF R3N SX: The button is two parts to cover the LED and there is enough space inside. The LED does not move with the button, and the terminal is fixed.

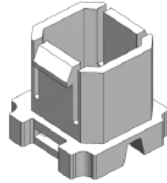


3. Impact of Change and Qualification

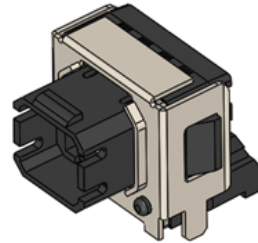
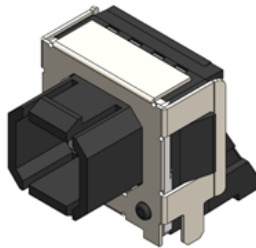
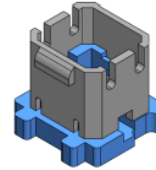
3.1 Impact of Change

The impact of the change is mostly cosmetic as there is no changes in the form factor, PCB layout and performances. Part number will evolve from **ITSXXF R3 SX** to **ITSXXF R3N SX**

ITSXXF R3 SX



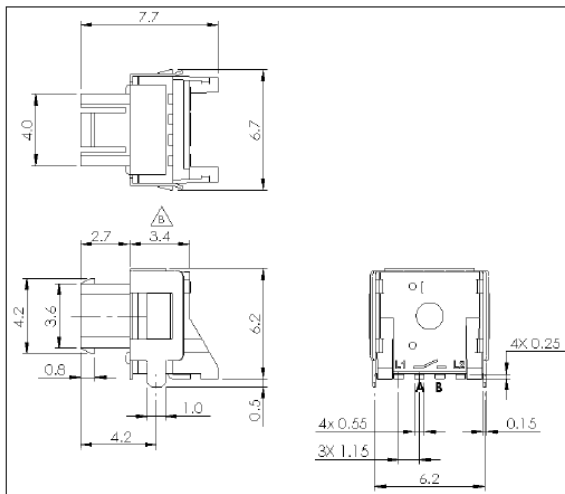
ITSXXF R3N SX



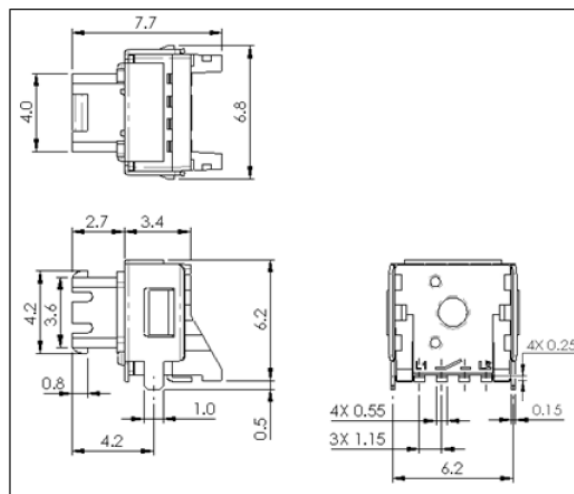
ITSXXF R3 SX

ITSXXF R3N SX

ITSXXF R3 SX



ITSXXF R3N SX



3.2 Qualification

Full qualification has been performed on part number ITS32FR3SR. Test report is available upon request

4. Part numbers affected

Current Part Number	Current Description	New Part Number	New Description
ITS00FR3SR	SWITCH ITS-SMT-R3-N/L-T/REEL	ITS00FR3NSR	SWITCH ITS-SMT-R3N-N/L-T/REEL
ITS13FR3SR	SWITCH ITS-SMT-R3-R/G-T/REEL	ITS13FR3NSR	SWITCH ITS-SMT-R3N-R/G-T/REEL
ITS14FR3SR	SWITCH ITS-SMT-R3-R/B-T/REEL	ITS14FR3NSR	SWITCH ITS-SMT-R3N-R/B-T/REEL
ITS23FR3SR	SWITCH ITS-SMT-R3-Y/G-T/REEL	ITS23FR3NSR	SWITCH ITS-SMT-R3N-Y/G-T/REEL
ITS30FR3SR	SWITCH ITS-SMT-R3-GRN-T/REEL	ITS30FR3NSR	SWITCH ITS-SMT-R3N-GRN-T/REEL
ITS32FR3SR	SWITCH ITS-SMT-R3-G/Y-T/REEL	ITS32FR3NSR	SWITCH ITS-SMT-R3N-G/Y-T/REEL
ITS40FR3SR	SWITCH ITS-SMT-R3-BLU-T/REEL	ITS40FR3NSR	SWITCH ITS-SMT-R3N-BLU-T/REEL
ITS50FR3SR	SWITCH ITS-SMT-R3-WHT-T/REEL	ITS50FR3NSR	SWITCH ITS-SMT-R3N-WHT-T/REEL
ITS50FR3ST	SWITCH ITS-SMT-R3-WHT-TRAY	ITS50FR3NST	SWITCH ITS-SMT-R3N-WHT-TRAY
ITS60FR3SR	SWITCH ITS-SMT-R3-T/G-T/REEL	ITS60FR3NSR	SWITCH ITS-SMT-R3N-T/G-T/REEL

5. Date of application and conditions of application

Existing orders will be fulfilled until R3N version is approved. Last Time buy is July 31st 2019 with deliveries until October 31st 2019

This is transitioned as a running change. EOL is 30th of August 2019

Price of product does not change. New parts numbers will be effective on our website by week 20 latest as well as updated price list

No stock returns will be accepted on the basis of this PCN

6. Support

For any question, please contact your C&K sales representative.