



**A DIVISION OF EDAC (AMERICA) LIMITED**

3300 Int'l Airport Dr., Ste. 200, Charlotte, NC 28208 (704) 424-5448 Fax: (704) 424-5648 www.norcomp.net

**(Product Change Notification)**

Friday, April 20, 2012

PCN# 040112

To Whom It May Concern:

Please be advised NorComp has made minor design changes to item number 970-YYY-030R121. The housing screw was changed from a flat head screw to a Phillips head screw. Attached are copies of the previous drawings and updated drawings to provide all information regarding the change in design.

We appreciate your understanding as we strive to offer you the most current information regarding our product.

Please confirm receipt & acceptance of product change notification (by returning signed copy by fax or email) and contact us if you need any additional assistance.

Regards,

Matt Sigmon  
Product Engineer  
Fax: 704-424-5648

Approved By: \_\_\_\_\_

Company: \_\_\_\_\_

Title: \_\_\_\_\_

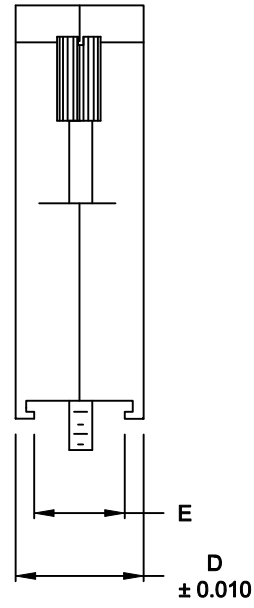
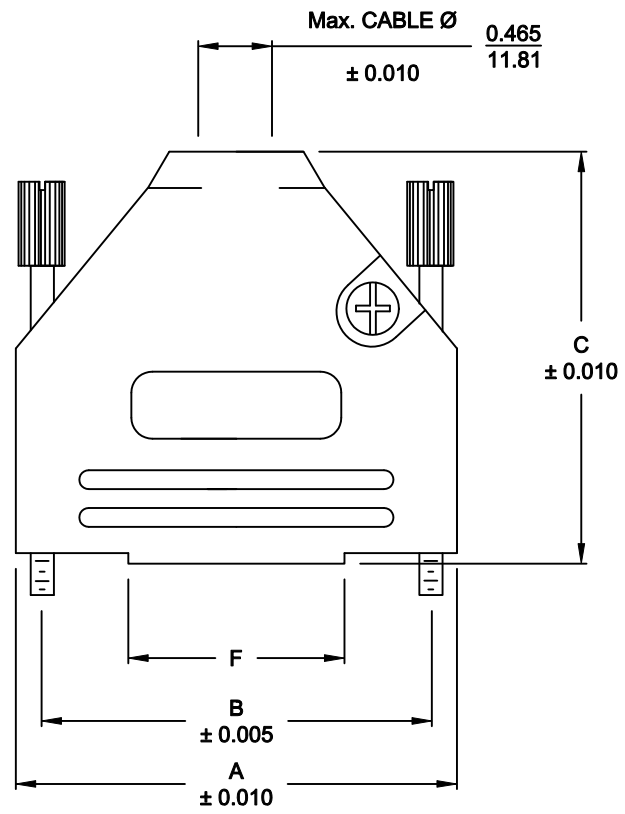
Date: \_\_\_\_\_

DESCRIPTION: 970 SERIES D-SUB BACKSHELL

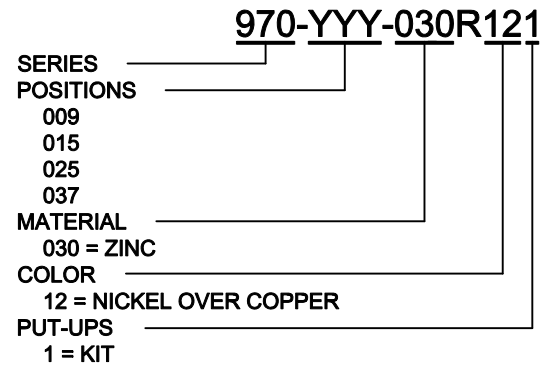
**BACKSHELL KIT INCLUDES:**

- (2) BACKSHELL HALVES
- (2) 4-40 THUMBSCREWS
- (2) HOUSING SCREWS
- (1) SET OF COMPRESSION INSERTS - VARIOUS SIZES
- (1) COMPRESSION SPRING


MATERIAL: DIE-CAST ZINC ALLOY  
 PLATING: NICKEL OVER COPPER  
 JACKSCREWS: STEEL  
 M3 HOODSCREWS: STEEL  
 COMPRESSION INSERT: ABS UL 94V-O  
 OPERATING TEMP: -30°C TO +90°C



DIMENSIONS (IN.)						
No. OF PINS	A	B	C	D	E	F
9	1.228	0.984	1.571	0.590	0.388	0.514
	31.19	24.99	39.90	14.99	9.86	13.06
15	1.555	1.312	1.634	0.590	0.393	0.789
	39.50	33.32	41.50	14.99	9.98	20.04
25	2.102	1.852	1.913	0.590	0.378	1.024
	53.39	47.04	48.59	14.99	9.60	26.01
37	2.744	2.500	2.110	0.590	0.409	1.690
	69.70	63.50	53.59	14.99	10.39	42.93



RoHS COMPLIANT

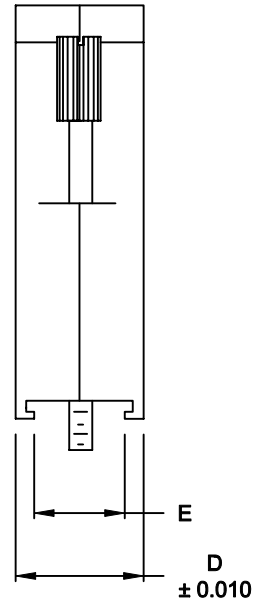
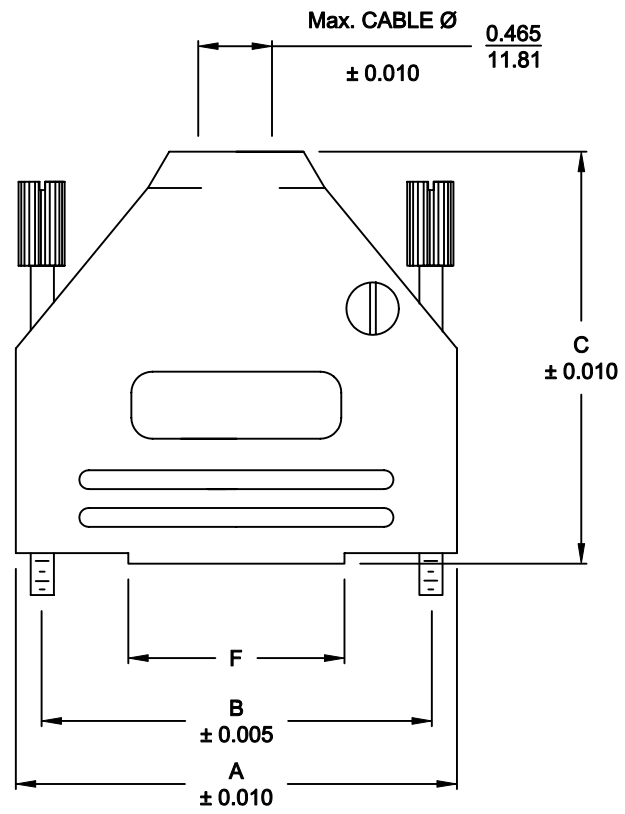
	THESE DRAWINGS AND SPECIFICATIONS ARE THE PROPERTY OF NorComp AND SHALL NOT BE REPRODUCED, COPIED OR USED AS THE BASIS FOR THE MANUFACTURE OR SALE OF APPARATUS WITHOUT WRITTEN PERMISSION.		DRAWN: <b>PAM JENKINS</b>	DATE: <b>6-10-05</b>
				CHECKED:
<b>NorComp</b>		SCALE	SHEET <b>1</b> OF <b>1</b>	REV <b>9</b>
		DWG NO. <b>970 -YYY-030R121</b>		

DESCRIPTION: 970 SERIES D-SUB BACKSHELL

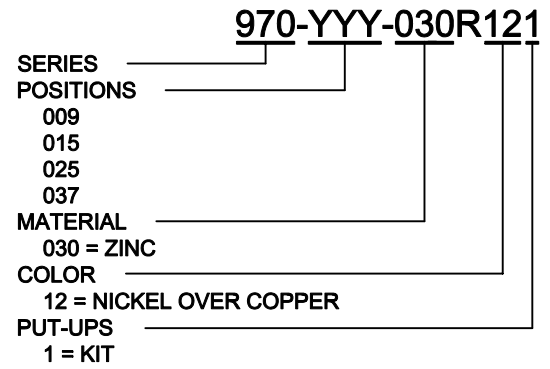
**BACKSHELL KIT INCLUDES:**

- (2) BACKSHELL HALVES
- (2) 4-40 THUMBSCREWS
- (2) HOUSING SCREWS
- (1) SET OF COMPRESSION INSERTS - VARIOUS SIZES
- (1) COMPRESSION SPRING

MATERIAL: DIE-CAST ZINC ALLOY  
 PLATING: NICKEL OVER COPPER  
 JACKSCREWS: STEEL  
 M3 HOODSCREWS: STEEL  
 COMPRESSION INSERT: ABS UL 94V-O  
 OPERATING TEMP: -30°C TO +90°C



DIMENSIONS (IN.)						
No. OF PINS	A	B	C	D	E	F
9	1.228	0.984	1.571	0.590	0.388	0.514
	31.19	24.99	39.90	14.99	9.86	13.06
15	1.555	1.312	1.634	0.590	0.393	0.789
	39.50	33.32	41.50	14.99	9.98	20.04
25	2.102	1.852	1.913	0.590	0.378	1.024
	53.39	47.04	48.59	14.99	9.60	26.01
37	2.744	2.500	2.110	0.590	0.409	1.690
	69.70	63.50	53.59	14.99	10.39	42.93



RoHS COMPLIANT

	THESE DRAWINGS AND SPECIFICATIONS ARE THE PROPERTY OF NorComp AND SHALL NOT BE REPRODUCED, COPIED OR USED AS THE BASIS FOR THE MANUFACTURE OR SALE OF APPARATUS WITHOUT WRITTEN PERMISSION.		DRAWN: <b>PAM JENKINS</b>	DATE: <b>6-10-05</b>
				CHECKED:
<h1>NorComp</h1>		SCALE	SHEET 1 OF 1	REV 7
		DWG NO. <b>970 -YYY-030R121</b>		