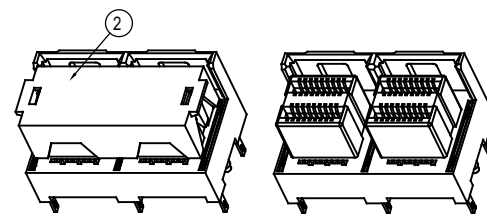
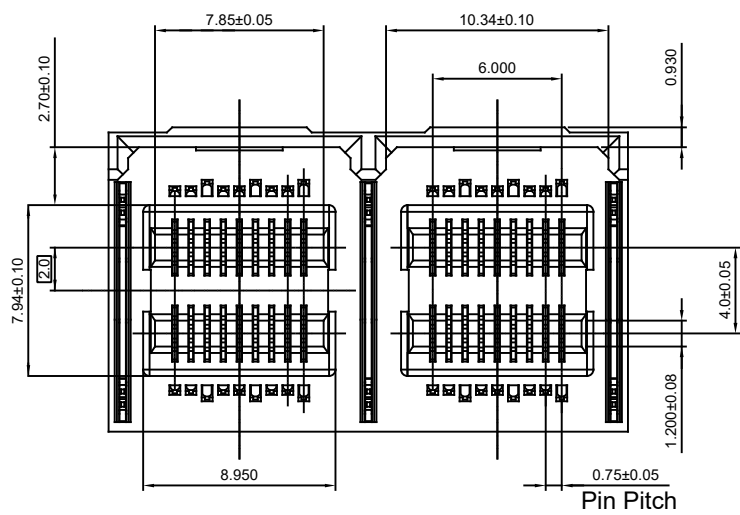


TOLERANCE UNLESS OTHERWISE SPECIFIED	
.X	±0.35
.XX	±0.25
.XXX	±0.15

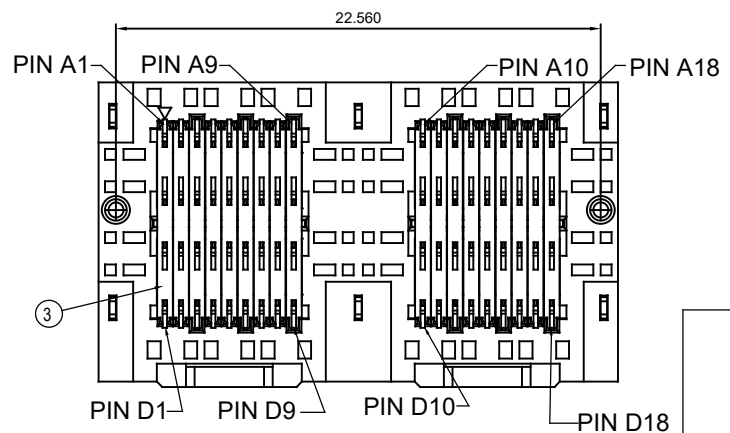
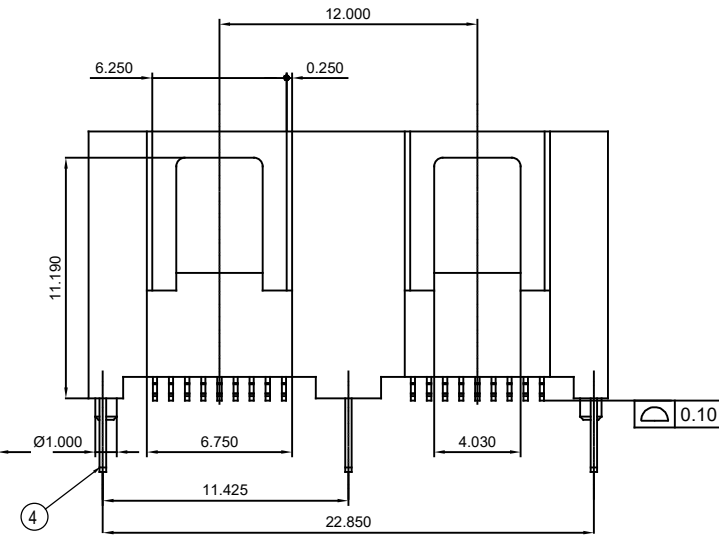
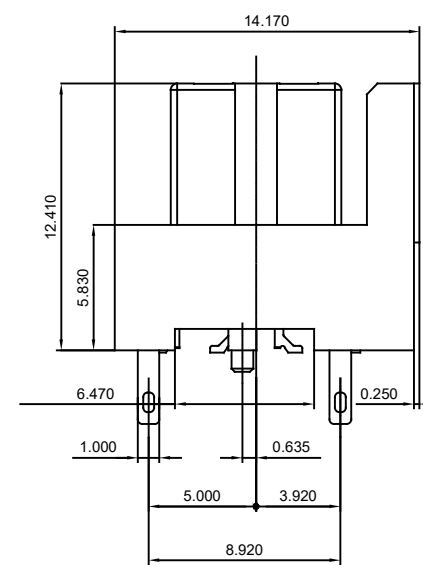
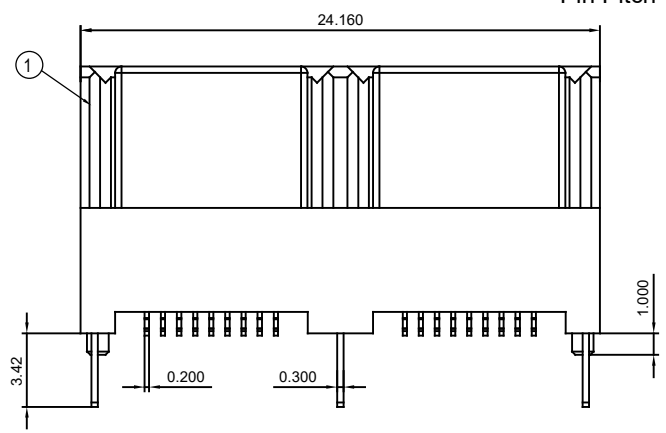
THIS IS A C.A.D. GENERATED DRAWING
DO NOT MAKE MANUAL REVISIONS TO MASTER.



NOTES:

MATERIAL:
HOUSING:
CAP:
INSERT MOLDING:
LATCH:
CONTACT:

L.C.P GLASS REINFORCED, UL-94V-0
L.C.P GLASS REINFORCED, UL-94V-0,
COLOR: BLACK
L.C.P GLASS REINFORCED, UL-94V-0
STAINLESS STEEL, TIN (MATTE) 100~200µ
COPPER ALLOY
30 µ" GOLD PLATING ON CONTACT AREA
MATTE TIN PLATING ON SOLDER TAIL OVER
NICKEL UNDER PLATING



4	LATCH	2	STAINLESS STEEL	TIN(MATTE)100~200 µ"
3	CONTACT	36	COPPER ALLOY	SEE NOTES
3	INSERT MOLDING	9	L.C.P GLASS REINFORCED, UL94 V-0	SEE NOTES
2	CAP	1	L.C.P GLASS REINFORCED, UL94 V-0	BLACK
1	HOUSING	1	L.C.P GLASS REINFORCED, UL94 V-0	SEE NOTES
NO.	DESCRIPTION	QTY.	MATERIAL	FINISH/COLOR

MINI SAS HD EXTERNAL, VERTICAL SMT,
FEMALE, 72 CONTACTS

ACAD REFERENCE NO.: 901-072-629-002	
DRAWN: W.T	DATE: JUNE.28 /2018
CHECKED:	DATE:
SCALE: N.T.S	SHEET 1 OF 1
DRAWING NUMBER: 901-072-629-002	ISSUE
PART NUMBER: 901-072-629-002	1



THIS SERIES FULLY CONFORMS TO
THE EUROPEAN UNION DIRECTIVES
2011/65/EU FOR RoHS COMPLIANCE.



EDAC INC
TORONTO, ONTARIO
CANADA
YOUR CONNECTION TO QUALITY & SERVICE

THESE DRAWINGS AND SPECIFICATIONS
ARE THE PROPERTY OF EDAC INC., AND
SHALL NOT BE REPRODUCED, OR COPIED
OR USED AS THE BASIS FOR THE
MANUFACTURE OR SALE OF APPARATUS
WITHOUT WRITTEN PERMISSION.