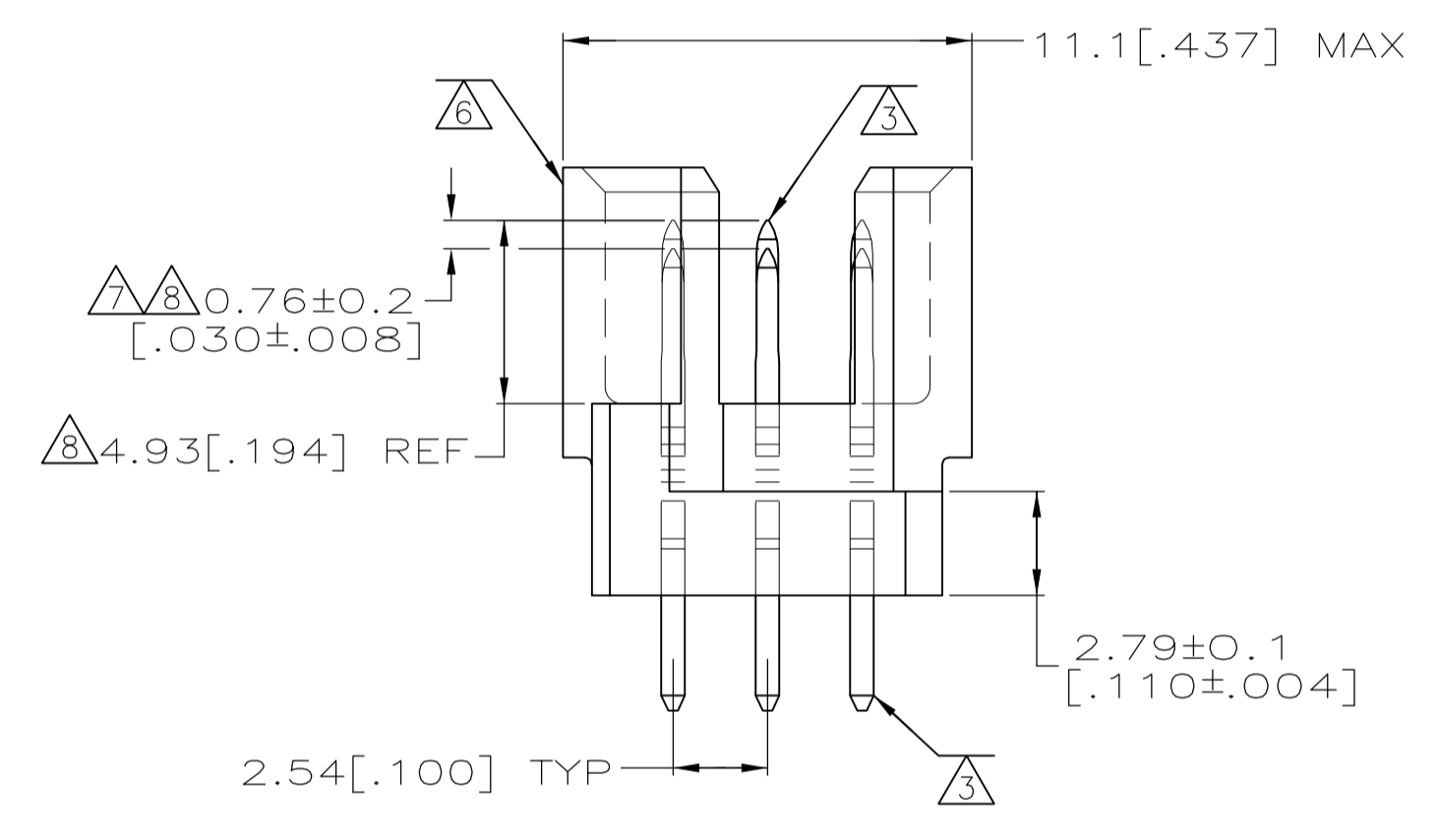


- 1 HOUSING MATERIAL: GLASS-FILLED POLYMER.
- 2 POST MATERIAL: COPPER ALLOY.
- 3 POST FINISH: DIN 41612 CLASS 2 IN CONTACT AREA. TIN PLATE ON POSTS.
- 4 PC BOARD HOLES REQUIRED FOR ACTION PIN CONTACTS ARE Ø.15[.0453] DRILL PLATED THROUGH WITH 0.02-0.08[.001-.003] COPPER AND 0.008[.0003] MINIMUM TIN-LEAD PLATING. FINISHED HOLE AFTER PLATING, Ø.94-1.09[.037-.043].
- 5 PART NUMBER, DATE CODE MARKED THIS APPROXIMATE AREA.
- 6 MARKINGS ON THIS SIDE.
- 7 FOR MFBL APPLICATIONS, A 2.36[.093] MINIMUM THICK PC BOARD IS REQUIRED. PROGRAMMABLE SEATING TOOL 768216-2 MUST BE USED.
- 8 TO BE 4.16[.164] REF FOR LAST MAKE PINS AFTER SEATING. POST LENGTH DIFFERENCE BETWEEN SHORT AND LONG PINS TO BE 0.76±0.2[.030±.008] AFTER SEATING.
- 9 THIS DIMENSION WILL BE 4.06[.160] MAX AFTER SEATING FOR PINS WITH 4.17[.164] REF MATING POST.
- 10. FOR 1.57[.062] THICK PC BOARD APPLICATIONS, USE SEATING TOOL 768211-2. PROGRAMMABLE SEATING TOOL 768216-2 WITH PUSH PINS FOR MAKE FIRST CONTACTS ONLY, CAN ALSO BE USED.



5148304-4
PART NUMBER

THIS DRAWING IS A CONTROLLED DOCUMENT.		DIN J. POLIGNONE DSMAYOS		Tyco Electronics Corporation Harrisburg, Pa 17105-3608	
DIMENSIONS: mm [INCHES]		TOLERANCES UNLESS OTHERWISE SPECIFIED:		NAME: ASSEMBLY, PIN, EUROCARD, TYPE R, 96 POSITION, 4.06[.160] PRESS-FIT POSTS, PROGRAMMABLE	
0 PLC	± -	1 PLC	± -	2 PLC	± 0.13[.005]
3 PLC	± -	4 PLC	± -	ANGLES	± -
MATERIAL	FINISH	WEIGHT	SIZE	CAGE CODE	DRAWING NO
1/2	3	-	A1	00779	5148304
CUSTOMER DRAWING			SCALE	SHEET	REV
			5:1	1 of 1	01