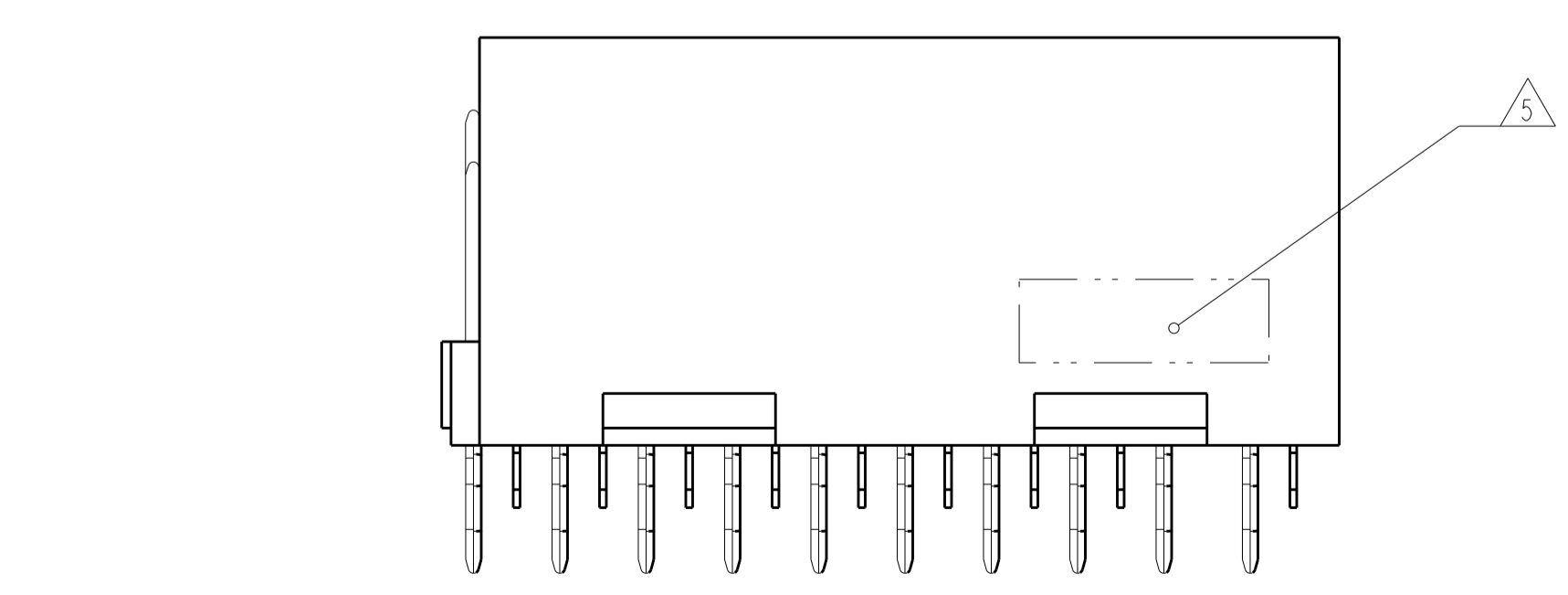
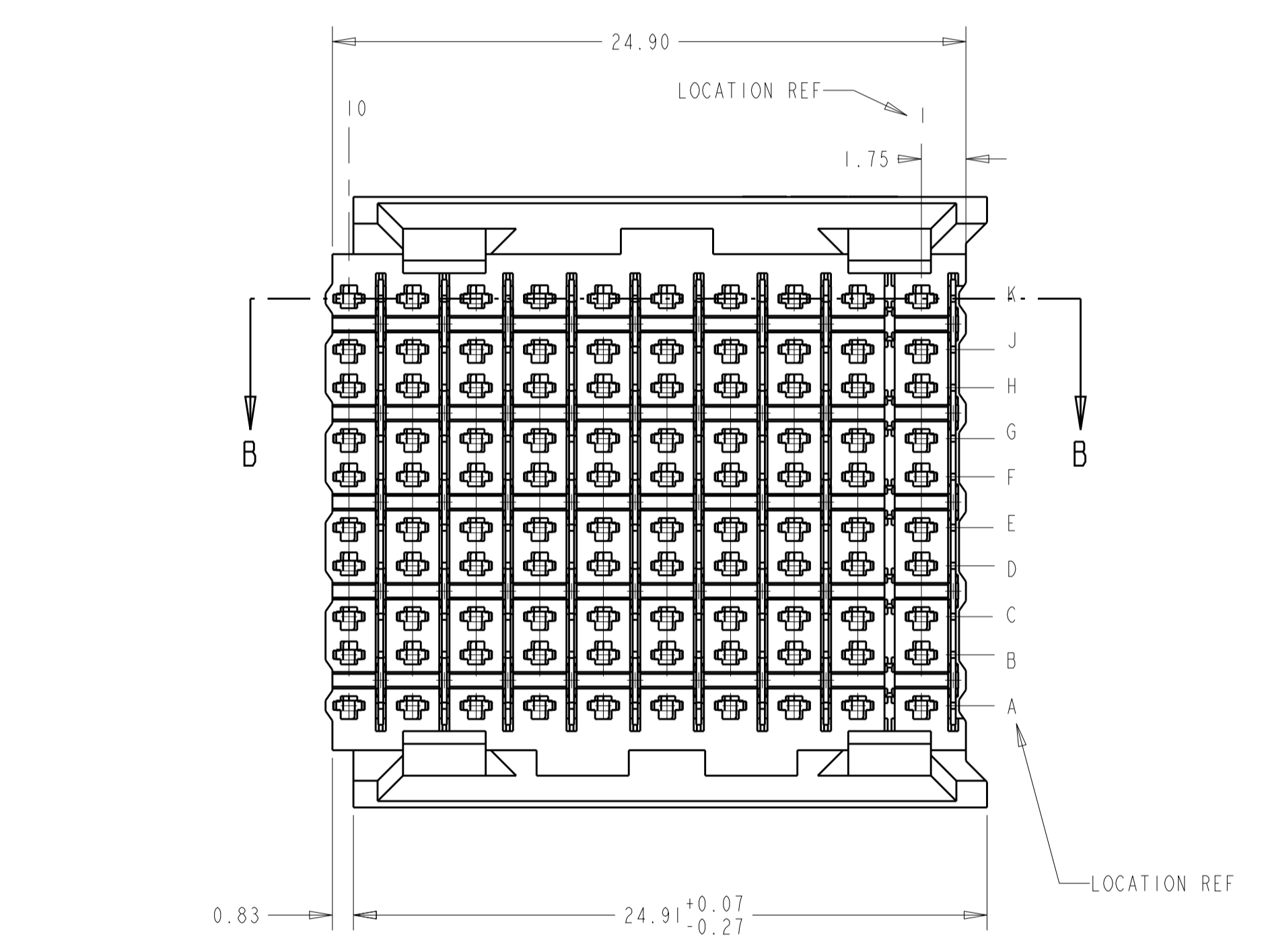
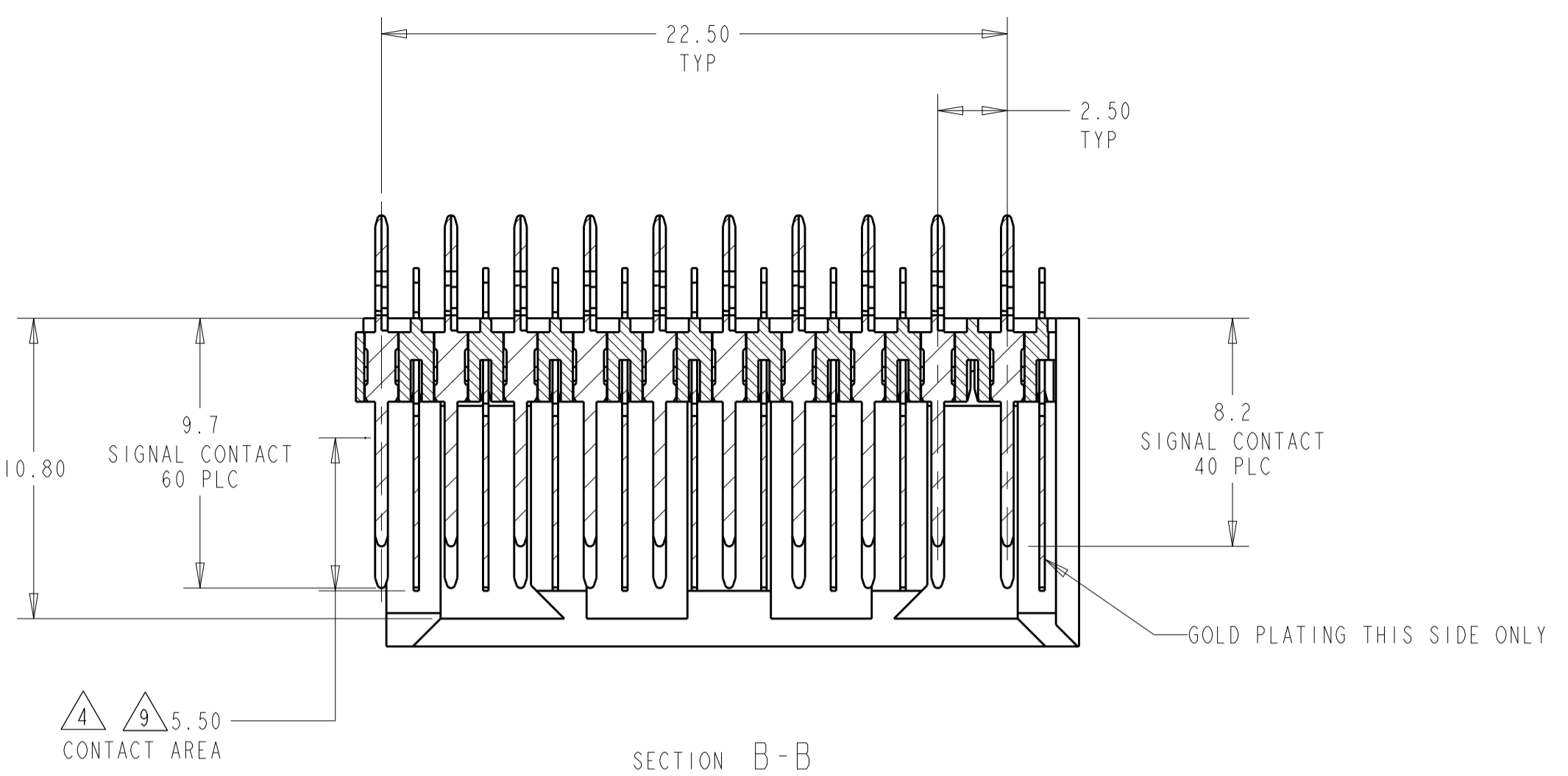
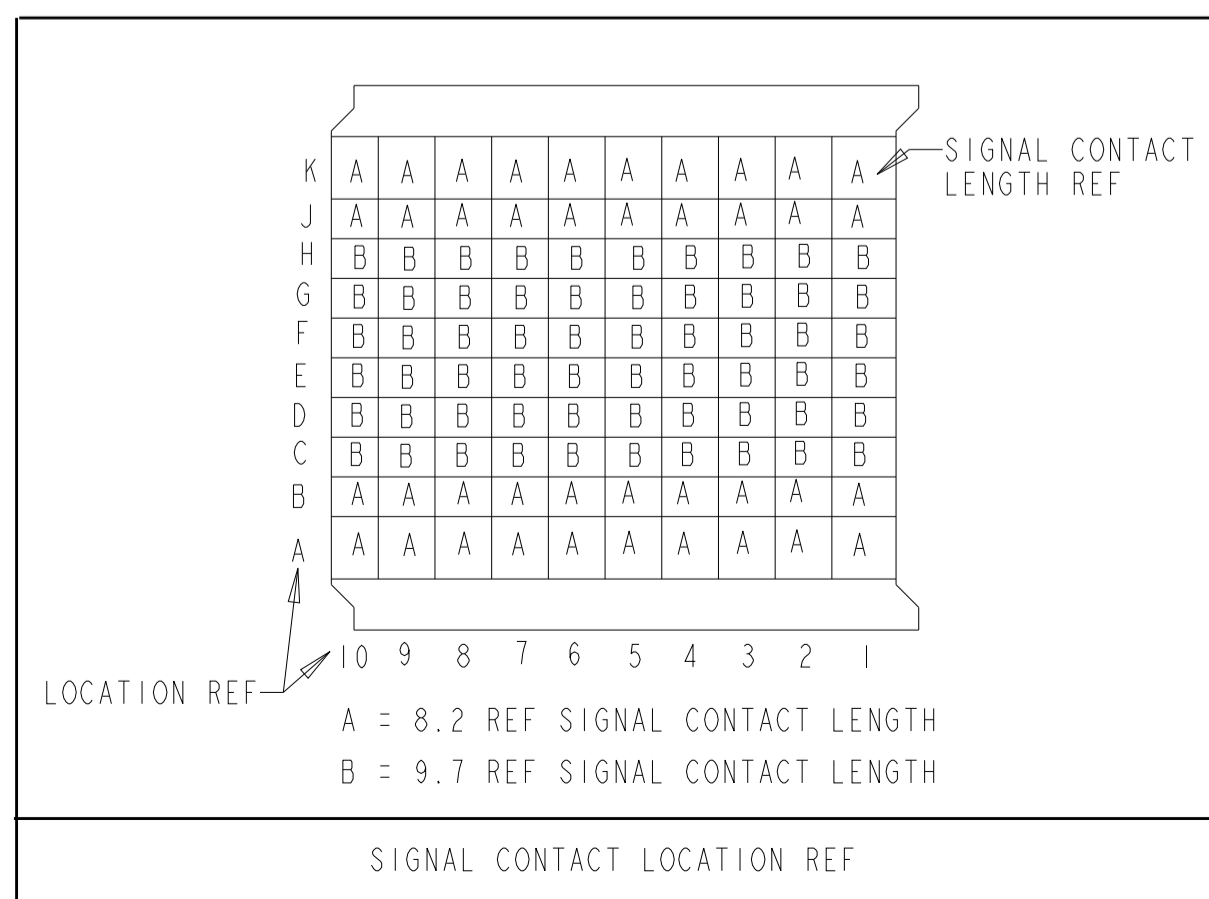
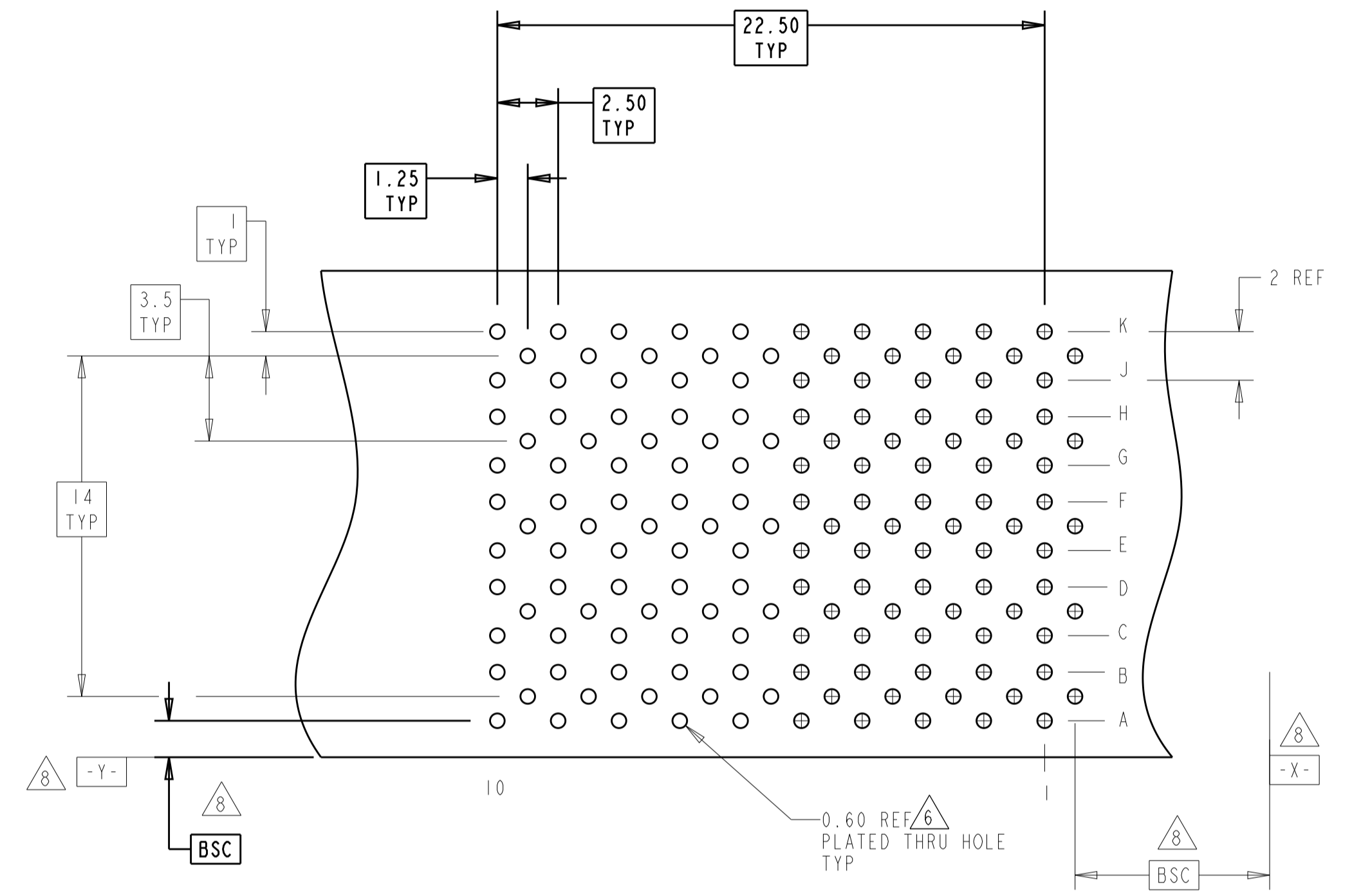
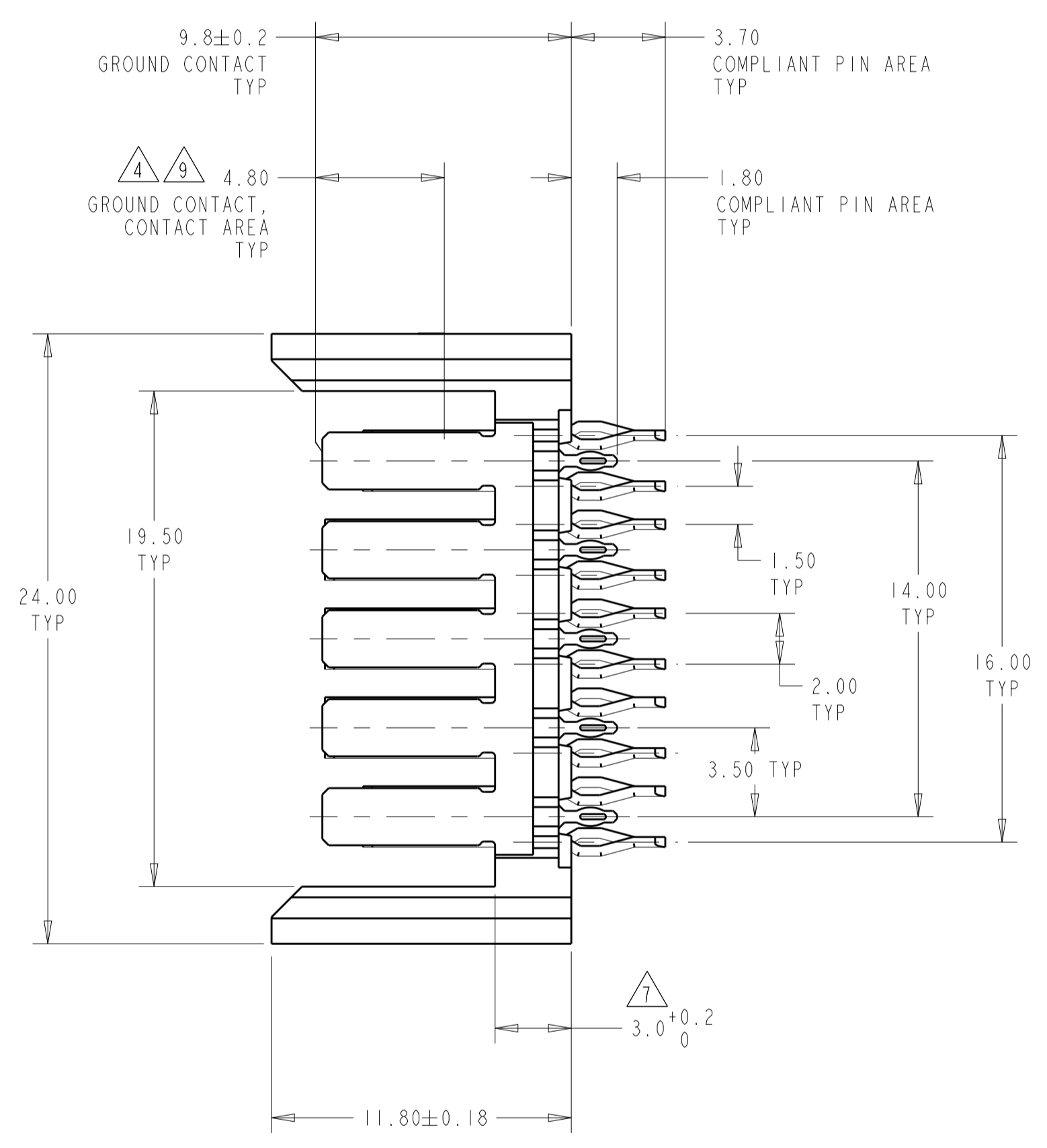


LOC		DIST		REVISIONS			
P	LTN	DESCRIPTION	DATE	DWN	APVD		
B		REVISED PER ECO-12-006972	23AUG2012	KH	JE		



- 2 PHOSPHOR BRONZE
- 3 LCP, UL94V-0
- 4 FINISH: CONTACT MATING AREA MEETS THE PERFORMANCE REQUIREMENTS OF TE CONNECTIVITY PRODUCT SPECIFICATION 108-1957; BASED ON TELCORDIA GR-1217-CORE; APPLICATIONS IN UNCONTROLLED ENVIRONMENTS. COMPLIANT PIN AREA: 0.5µm MIN MATTE TIN OVER BASE PLATING.
- 5 CONNECTOR MARKED WITH PART NUMBER AND DATE CODE
- 6 REFERENCE APPLICATION SPEC 114-13020 FOR RECOMMENDED PLATED THRU HOLE DIAMETER AND PLATING THICKNESS.
- 7 APPLICATION SEATING HEIGHT TO PRINTED CIRCUIT BOARD
- 8 DATUMS AND BASIC DIMENSIONS ESTABLISHED BY CUSTOMER
- 9 CONTACT AREA LUBRICATED WITH BELLCORE APPROVED LUBRICANT TECHNICAL REPORT: GR-1217-CORE, ISSUE 1, NOVEMBER 1995



THIS DRAWING IS A CONTROLLED DOCUMENT.		DWN: B. CARBO	07DEC04	TE Connectivity
DIMENSIONS: mm		CHK: R. PATTERSON	07DEC04	
TOLERANCES UNLESS OTHERWISE SPECIFIED:		APVD: R. PATTERSON	07DEC04	
0 PLC ± 1 PLC ±0.13 2 PLC ±0.05 3 PLC ±0.05 4 PLC ± ANGLES ±		PRODUCT SPEC		
MATERIAL HOUSING: 3		APPLICATION SPEC		NAME: HEADER ASSEMBLY, 100 POSITION, 10 ROW, SEQUENCED, BACKPLANE CONNECTOR, Z-PACK HS3
CONTACTS: 2		FINISH: -		SIZE: A1
SIGNAL CONTACT: 4		WEIGHT: -		CAGE CODE: 00779
		CUSTOMER DRAWING		DRAWING NO: 5120753
		SCALE: 5:1		SHEET 1 OF 1
				REV B

ROWS C,D,E,F,G,H	ROWS A,B,J,K	5120753-1
PIN LOCATION	PIN LOCATION	PART NUMBER
SIGNAL CONTACT TYPE B QTY: 60	SIGNAL CONTACT TYPE A QTY: 40	