



circuit breaker 3VA5 UL frame 125 3-pole, starter protection TM120M, AM, In=70A without overload protection short-circuit protection li=5...12 x In cable connection on both sides

Model

product brand name	SENTRON
product designation	Molded-case circuit breaker
product designation / according to UL file	HEAP
Product version	Starter protection
design of the load switch / according to UL 489 / Heating, Air Conditioning, and Refrigeration circuit breaker (HACR Type)	Yes
design of the load switch / according to UL 489 / High-Intensity-Discharge circuit breaker (HID Type)	No
design of the load switch / according to UL 489 / Switching Duty circuit breaker (SWD Type)	No
design of the overcurrent release	TM120M
protection function of the overcurrent release	I
number of poles	3

General technical data

insulation voltage / rated value	800 V
operating voltage / at AC / rated value	690 V
power loss [W] / maximum	10.9 W
Active power loss / for rated value of the current / at AC / in hot operating state / per pole	3.63 W
mechanical service life (switching cycles) / typical	20 000
Electrical endurance (switching cycles) / at AC-1 / at 380/415 V 50/60 Hz	8 000
Electrical endurance (switching cycles) / at AC-1 / at 690 V 50/60 Hz	4 000
electrical endurance (switching cycles) / at 480 V	8 000
electrical endurance (switching cycles) / at 600 V	4 000
Neutral conductors / upgradeable/retrofitable	No
ground-fault monitoring version	without
product function	
• communication function	No
• phase failure detection	No
• other measurement function	No
Net Weight	1.034 kg

Current

marking / according to UL 489 / 100%-rated breaker	No
operational current	
• at 40 °C	70 A
• at 45 °C	70 A
• at 50 °C	70 A
• at 55 °C	70 A
• at 60 °C	70 A

- at 65 °C
- at 70 °C

70 A
70 A

Switching capacity according to IEC 60947

breaking capacity maximum short-circuit current (Icu)

- at 240 V
- at 415 V
- at 690 V

150 kA
70 kA
10 kA

breaking capacity operating short-circuit current (Ics)

- at 240 V
- at 415 V
- at 690 V

150 kA
70 kA
5 kA

short-circuit current making capacity (Icm)

- at 240 V
- at 415 V
- at 690 V

330 kA
154 kA
17 kA

design of short-circuit protection

For switching power values in DC networks, see the 3VA molded case circuit breaker device manual; link to be found under Service & Support in the last chapter

Adjustable parameters

product feature / for L-tripping / selectable characteristic function

No

product feature / for S-tripping / independent of direction / selectable characteristic function

No

product feature / for I-tripping / can be switched on/off design of I-trip / adjustable

No
Yes

reference value setting current (Ii) / for I-tripping

x In

set values setting current (Ii) / for I-tripping

5;6;7;8;9;10;11;12

adjustable response factor setting current (Ii) / for I-tripping / minimum

5

adjustable response factor setting current (Ii) / for I-tripping / maximum

12

adjustable response value setting current (Ii) / for I-tripping / minimum

350 A

adjustable response value setting current (Ii) / for I-tripping / maximum

840 A

product feature / for G-tripping / selectable characteristic function

No

product feature / with neutral conductor protection / can be switched on/off

No

product feature / with neutral conductor protection / adjustable

No

type of value list setting current (InN) / for N-tripping

Fest

reference value setting current (InN) / for N-tripping

s

setting values setting current (InN) / for N-tripping

0

adjustable absolute value setting current (InN) / for N-tripping / minimum

0 A

adjustable absolute value setting current (InN) / for N-tripping / maximum

0 A

tripping characteristic / of the upper tolerance band

AK_3VA5_1_70A_TM120M1_H_oT

let-through energy characteristic / at 240 V

DE_3VA5_1_70A_TM_line u starter_3u4p_240V

let-through energy characteristic / at 415 V

DE_3VA5_1_70A_TM_line u starter_3u4p_415V

let-through energy characteristic / at 690 V

DE_3VA5_1_70A_TM_line u starter_3u4p_690V

type of value list setting current (Ii) / for I-tripping

St

tripping characteristic / of the let-through current characteristic / at 240 V

DS_3VA5_1_70A_TM_line u starter_3u4p_240V

tripping characteristic / of the let-through current characteristic / at 415 V

DS_3VA5_1_70A_TM_line u starter_3u4p_415V

tripping characteristic / of the let-through current characteristic / at 690 V

DS_3VA5_1_70A_TM_line u starter_3u4p_690V

Ground fault protection / tripping switchable / I2t=ON/OFF

No

Mechanical Design

product component

- undervoltage release
- voltage trigger
- trip indicator

No
No
No

height [in]

5.51 in

Height	140 mm
width [in]	3 in
Type of connectable conductor cross-section, round conductor terminal, stranded	1 x (8 AWG - 3/0)
Width	76.2 mm
depth [in]	3.01 in
depth	76.5 mm

Connections

arrangement of electrical connectors / for main current circuit	Front connection
type of electrical connection / for main current circuit	circular conductor terminal on both sides

Auxiliary circuit

number of CO contacts / for auxiliary contacts	0
--	---

Accessories

product extension / optional / motor drive	Yes
--	-----

Environmental conditions

protection class IP / on the front	IP40
ambient temperature	
<ul style="list-style-type: none"> during operation / minimum during operation / maximum during storage / minimum during storage / maximum 	<ul style="list-style-type: none"> -25 °C 70 °C -40 °C 80 °C

Certificates

reference code / according to IEC 81346-2	Q
certificate of suitability / as approval for NAVAL (no combat vessels) / supplement SB	Yes

General Product Approval

EMC

Declaration of Conformity

[Confirmation](#)



[Miscellaneous](#)



EG-Konf.

Marine / Shipping

other



[Miscellaneous](#)

Further information

Information- and Downloadcenter (Catalogs, Brochures,...)

<http://www.siemens.com/lowvoltage/catalogs>

Industry Mall (Online ordering system)

<https://mall.industry.siemens.com/mall/en/en/Catalog/product?mlfb=3VA5170-1MH36-0AA0>

Service&Support (Manuals, Certificates, Characteristics, FAQs,...)

<https://support.industry.siemens.com/cs/ww/en/ps/3VA5170-1MH36-0AA0>

Image database (product images, 2D dimension drawings, 3D models, device circuit diagrams, ...)

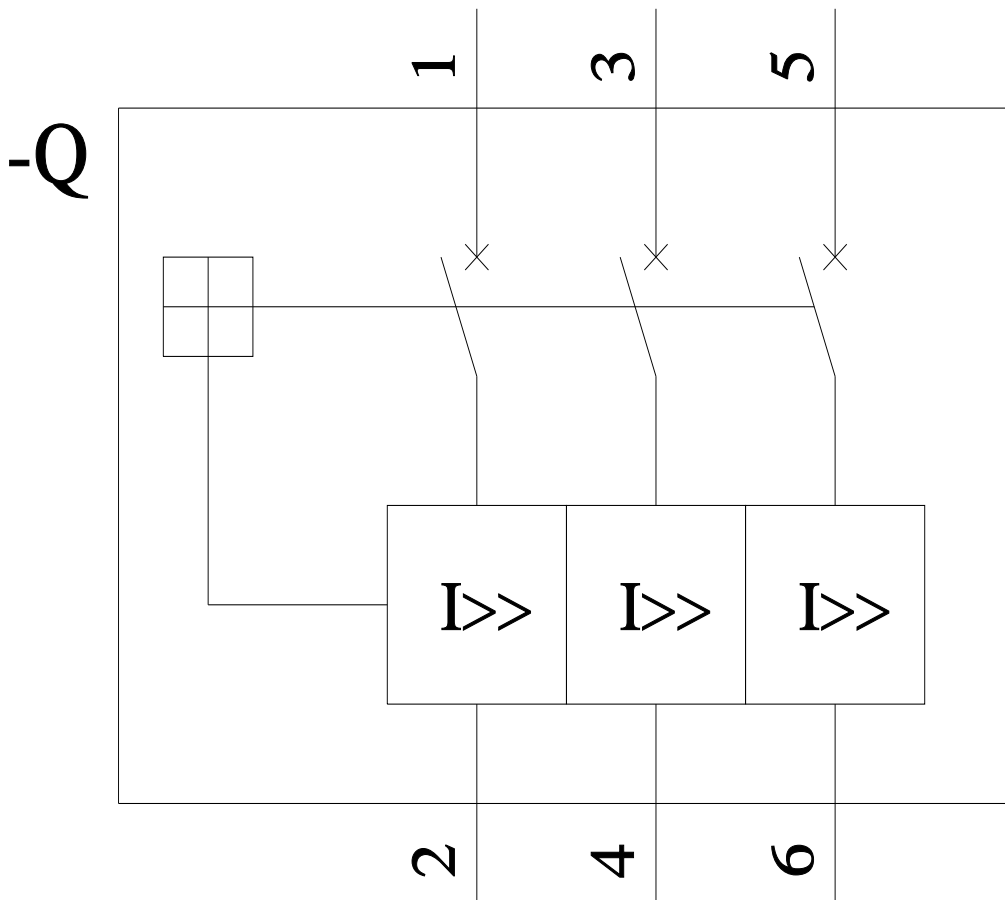
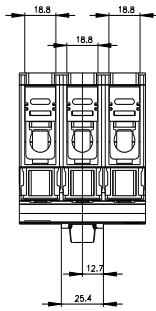
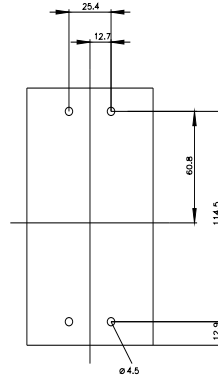
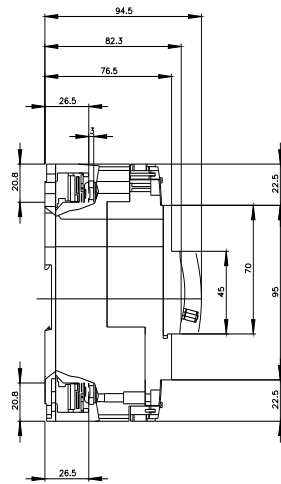
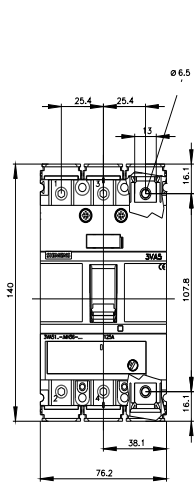
http://www.automation.siemens.com/bilddb/cax_en.aspx?mlfb=3VA5170-1MH36-0AA0

CAX-Online-Generator

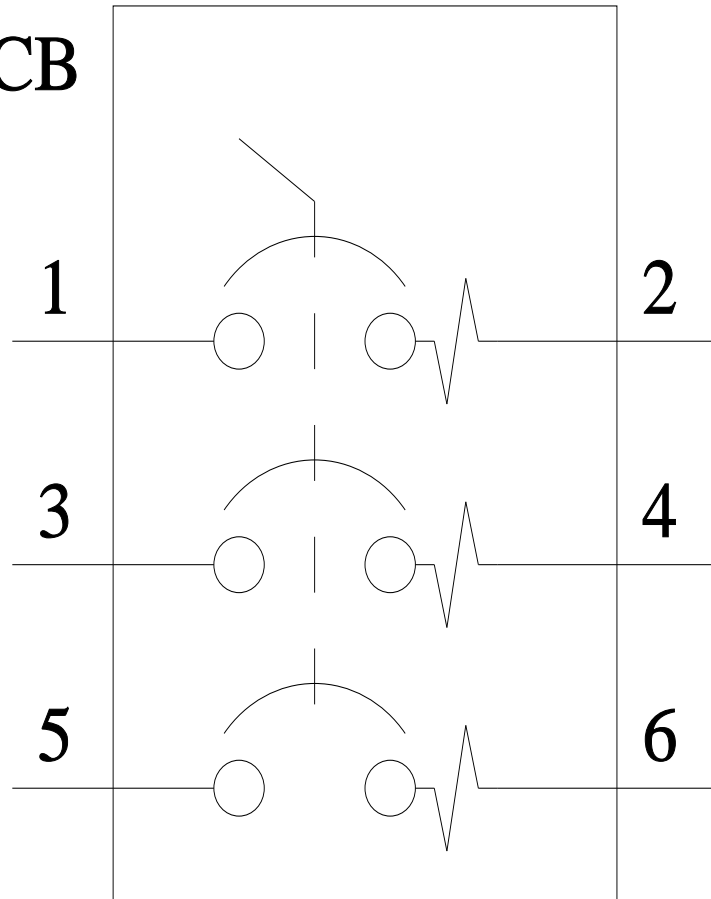
<http://www.siemens.com/cax>

Tender specifications

<http://www.siemens.com/specifications>



CB



last modified:

7/15/2022 

