

ITEM	PART#	DESCRIPTION	QTY	UOM
A,B	39012106	10CKT MINI FIT JR HOUSING 555910P210	2	PC
C	39000095	MiniFit Term Crp Male C Bs Au 16awg	20	PC
D	--	PAPER PRINTED PAPER WHITE	1	PC

FROM	TO	DESCRIPTION	COLOR
A1	B5	1X16AWG DISC PVC BK UL1015 HOOKUP	BLACK
A2	B4	1X16AWG DISC PVC BK UL1015 HOOKUP	BLACK
A3	B3	1X16AWG DISC PVC BK UL1015 HOOKUP	BLACK
A4	B2	1X16AWG DISC PVC BK UL1015 HOOKUP	BLACK
A5	B1	1X16AWG DISC PVC BK UL1015 HOOKUP	BLACK
A6	B10	1X16AWG DISC PVC BK UL1015 HOOKUP	BLACK
A7	B9	1X16AWG DISC PVC BK UL1015 HOOKUP	BLACK
A8	B8	1X16AWG DISC PVC BK UL1015 HOOKUP	BLACK
A9	B7	1X16AWG DISC PVC BK UL1015 HOOKUP	BLACK
A10	B6	1X16AWG DISC PVC BK UL1015 HOOKUP	BLACK

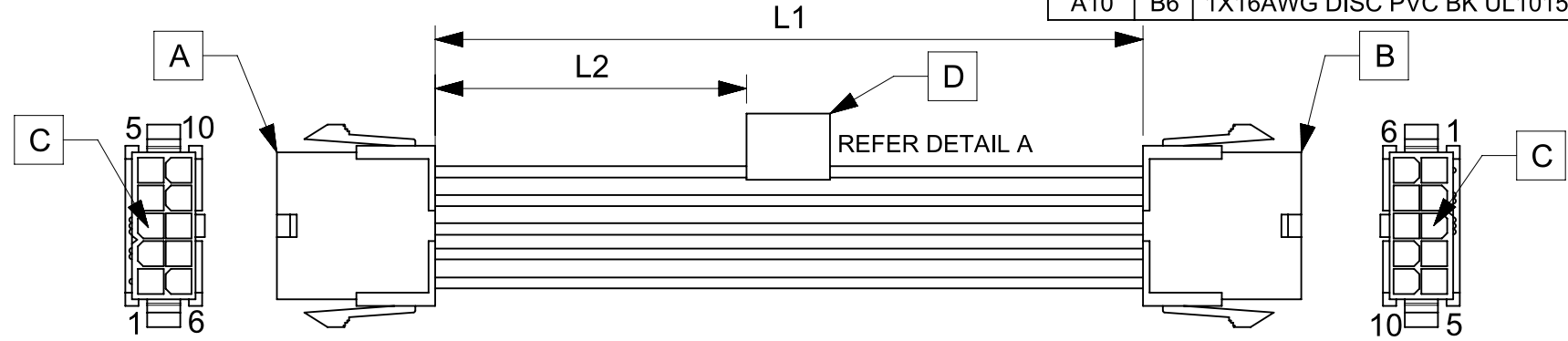


TABLE			
PART NUMBER	L1	L2	TITLE
2153272101	150±8	63 REF	MINIFIT JR DR P-P 10 CIRCUIT 150MM Au
2153272102	300±10	138 REF	MINIFIT JR DR P-P 10 CIRCUIT 300MM Au
2153272103	600±10	288 REF	MINIFIT JR DR P-P 10 CIRCUIT 600MM Au

NOTES

1. Cable assembly must pass 100% continuity and polarity test.
2. Connector view shown is from mating side.
3. Label text must be 2mm max. in height with Arial font.
4. Label must be wrapped in flag type on a single cable.

MOLEX P/N
MOLEX
BATCH WK/YR

DETAIL A

REVISION			
DATE	REV	DESCRIPTION	CHANGER
2020/03/17	A	INITIAL RELEASE	ARAJU

FUNCTIONAL SYMBOLS $\frac{E}{A} = 0$ $\frac{E}{E} = 0$ $\frac{E}{P} = 0$ DIVISIONAL SYMBOLS	THIS DRAWING CONTAINS INFORMATION THAT IS PROPRIETARY TO MOLEX ELECTRONIC TECHNOLOGIES, LLC AND SHOULD NOT BE USED WITHOUT WRITTEN PERMISSION		CURRENT REV DESC:				
	DIMENSION UNITS	SCALE	GENERAL TOLERANCES (UNLESS SPECIFIED)				
	mm	NTS	ANGULAR TOL ± °				
	4 PLACES ±		3 PLACES ±				
3 PLACES ±		2 PLACES ±		EC NO: 638379	PRODUCT CUSTOMER DRAWING DOCUMENT NUMBER: 2153272101 DOC TYPE: PSD DOC PART: 000 REVISION: A		
2 PLACES ±		1 PLACE ±		DRWN: ARAJU 2020/03/17			
1 PLACE ±		0 PLACES ±		CHK'D: RDESAI01 2020/05/28			
0 PLACES ±		INITIAL REVISION:		APPR: RDESAI01 2020/05/28			
DRAFT WHERE APPLICABLE MUST REMAIN WITHIN DIMENSIONS		THIRD ANGLE PROJECTION	DRAWING	SERIES	MATERIAL NUMBER	CUSTOMER	SHEET NUMBER
			A4-SIZE	215327	SEE TABLE	GENERAL MARKET	1 OF 1