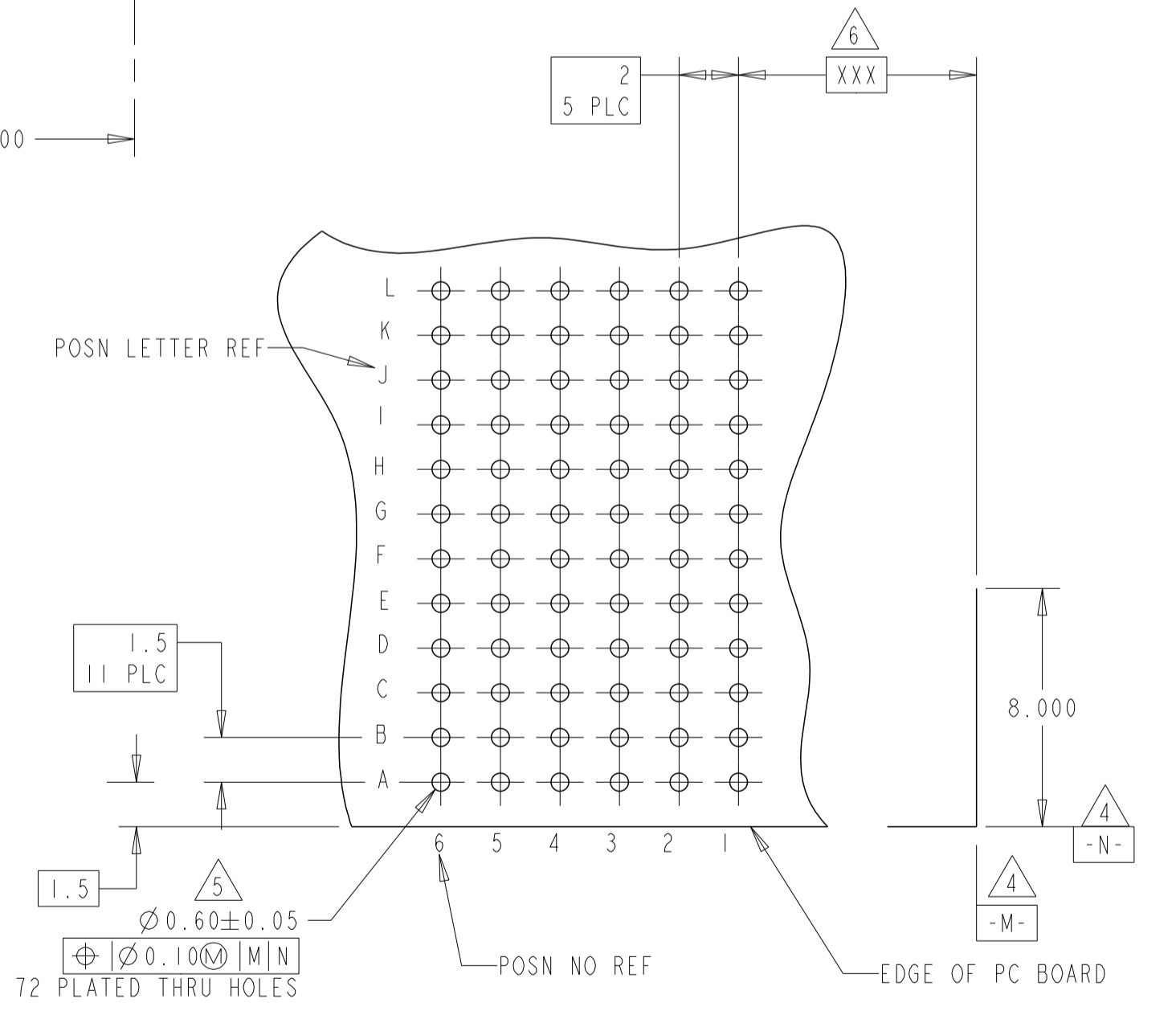
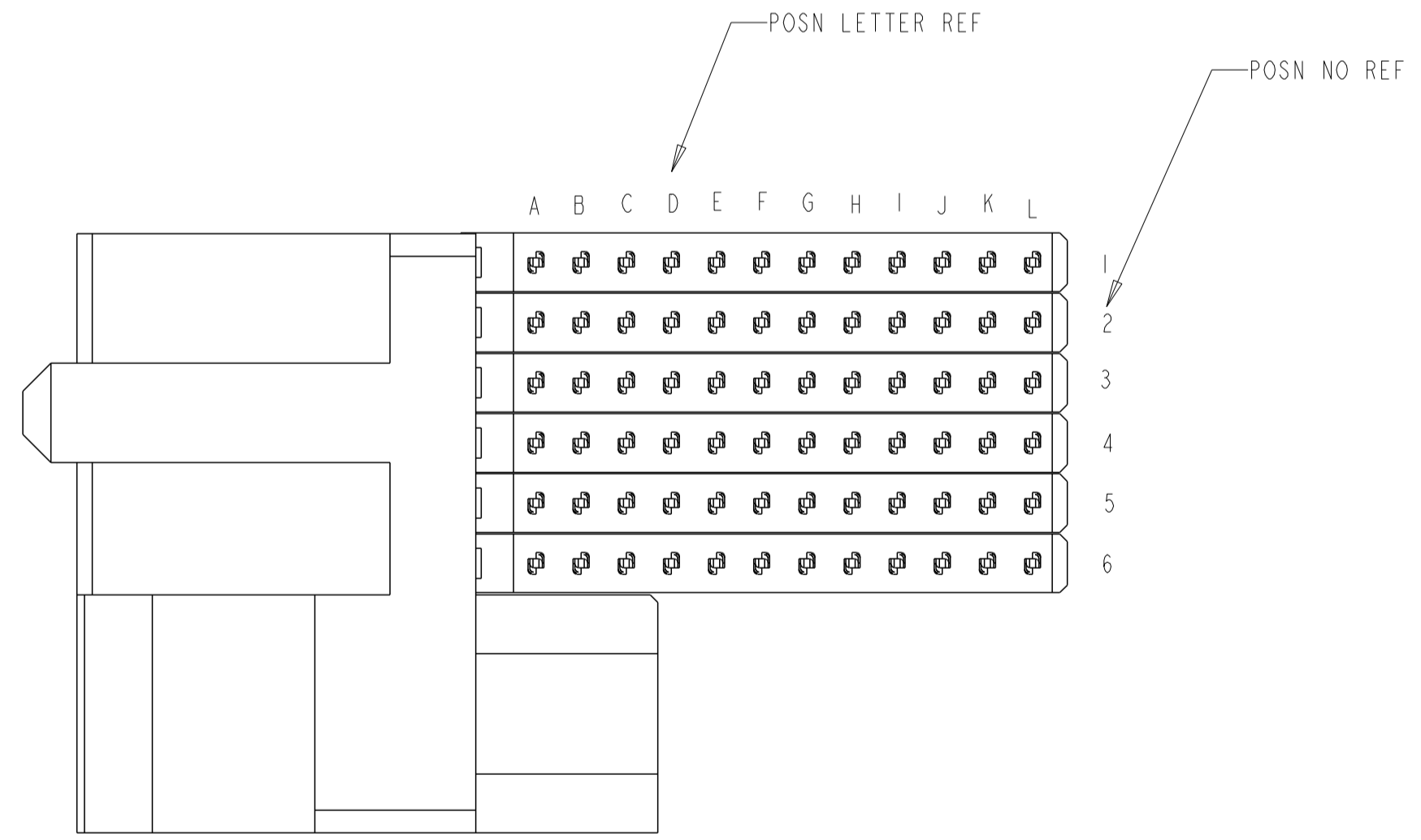
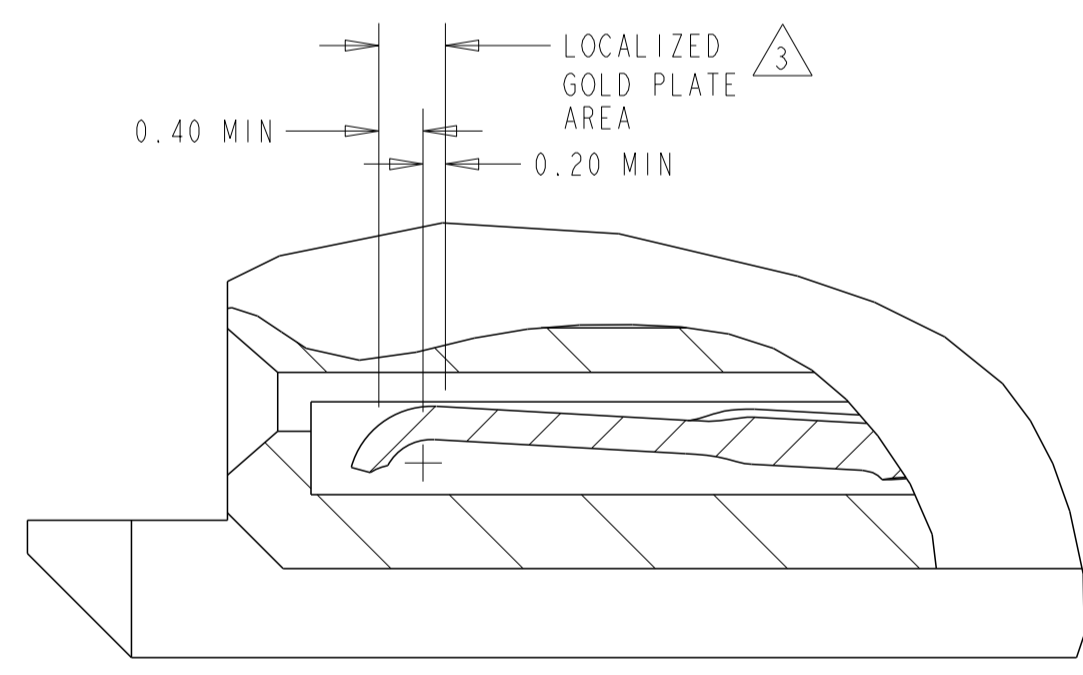
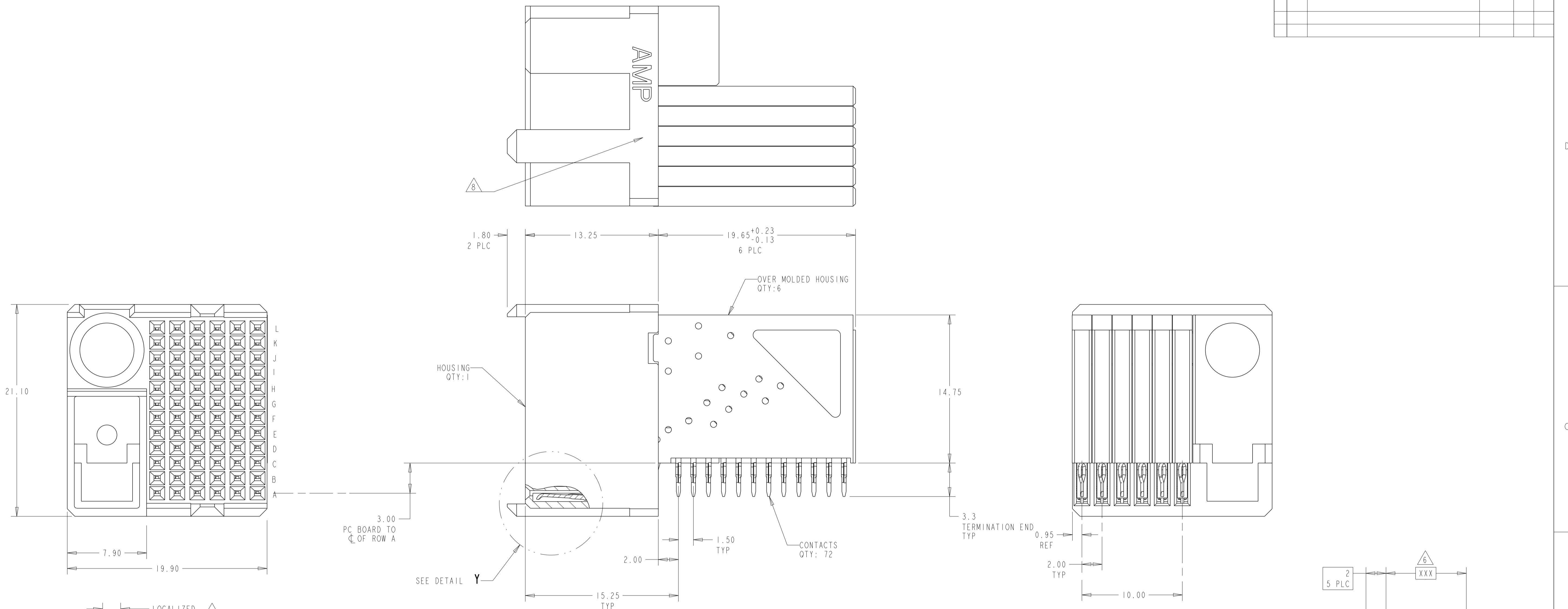


LOC	DIST	REVISIONS			
P	LTR	DESCRIPTION	DATE	DNM	APVD
A		INITIAL RELEASE	10MAY11	RC	CW



- 1 GLASS FILLED POLYESTER, BLACK
- 2 PHOSPHOR BRONZE
- 3 CONFORMS TO ALL TESTING ACCORDING TO IEC 61076-4-101 PERFORMANCE LEVEL 2.
- 4 DATUMS ESTABLISHED BY CUSTOMER.
- 5 DRILLED HOLE DIAMETER 0.700±0.025
COPPER THK 0.025-0.05
TIN THICKNESS 0.004-0.01
- 6 DIMENSION ESTABLISHED BY CUSTOMER.
- 7 GENERAL PLATING SPECIFICATION: UNDERPLATING (ENTIRE CONTACT): 1.27µm MIN NICKEL AND ACTION PIN: 0.5µm MIN TIN.
FOR PLATING OF MATING SURFACES SEE APPLICABLE SPECIFICATION REFERENCE FOR EACH DASH NUMBER.
- 8 CONNECTOR PRINTED WITH PART NUMBER AND DATE CODE, LOCATED APPROXIMATELY AS SHOWN.

1645569-1
PART NUMBER

THIS DRAWING IS A CONTROLLED DOCUMENT.		DNM RAYMOND CAO 10MAY11	TE Connectivity											
DIMENSIONS: mm		CHK ALEX SHOAL 10MAY11												
TOLERANCES UNLESS OTHERWISE SPECIFIED:		APVD MANGIAN WANG 10MAY11												
<table border="1"> <tr><td>0 PLC</td><td>±</td></tr> <tr><td>1 PLC</td><td>±0.2</td></tr> <tr><td>2 PLC</td><td>±0.2</td></tr> <tr><td>3 PLC</td><td>±</td></tr> <tr><td>4 PLC</td><td>±</td></tr> </table>		0 PLC	±	1 PLC	±0.2	2 PLC	±0.2	3 PLC	±	4 PLC	±	NAME RECEPTACLE ASSEMBLY, SIGNAL/GROUND COMBINATION, 72 POSITION, LEFT HAND, Z-PACK 12 HM	RESTRICTED TO	
0 PLC	±													
1 PLC	±0.2													
2 PLC	±0.2													
3 PLC	±													
4 PLC	±													
MATERIAL HOUSING: 1 CONTACTS: 2		APPLICATION SPEC	SIZE A1	CAGE CODE 00779										
FINISH		WEIGHT	DRAWING NO. 1645569	REV A										
CUSTOMER DRAWING		SCALE 5:1	SHEET 1 OF 1											