


EMV nut - SACC-M12-KD-NUT-SH - 1440151

Please be informed that the data shown in this PDF Document is generated from our Online Catalog. Please find the complete data in the user's documentation. Our General Terms of Use for Downloads are valid (<http://phoenixcontact.com/download>)

EMC nut M12 is required for shield contacting on coated housing surfaces.



Key Commercial Data

Packing unit	10 pc
GTIN	 4 046356 483315
GTIN	4046356483315

Technical data

General

Mounting type	M12 x 1
---------------	---------

Material

Contact material	CuZn
------------------	------

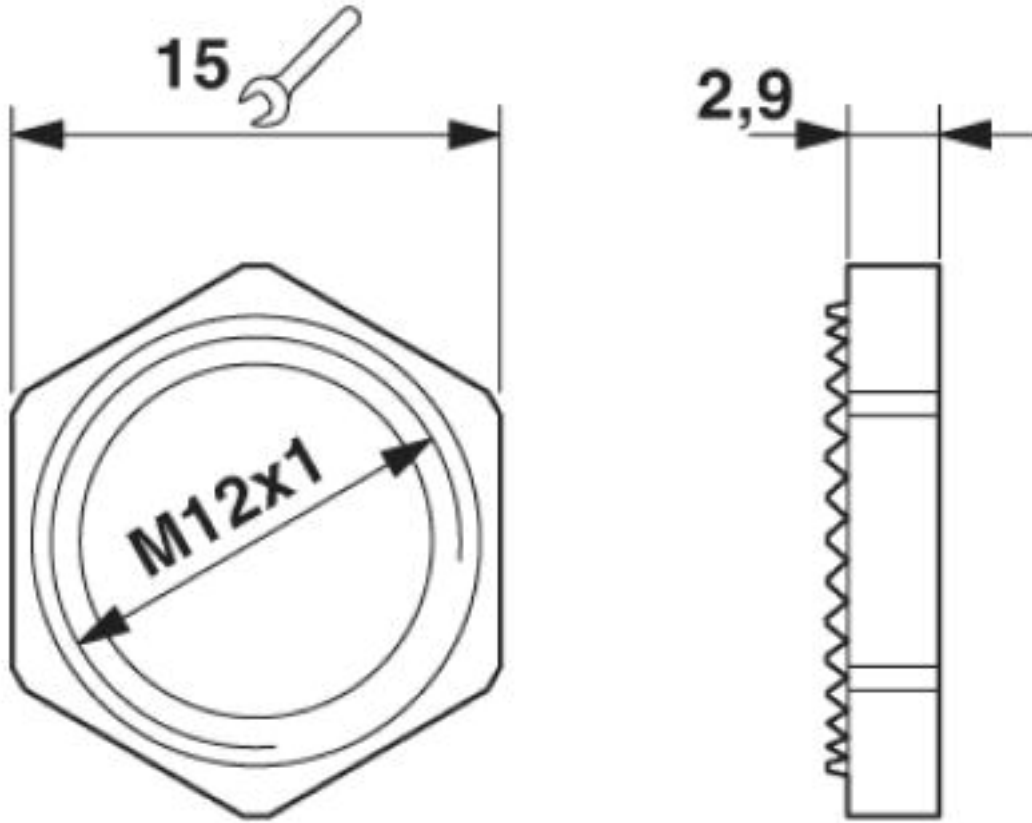
Environmental Product Compliance

	Lead 7439-92-1
China RoHS	Environmentally Friendly Use Period = 50
	For details about hazardous substances go to tab "Downloads", Category "Manufacturer's declaration"

Drawings

EMV nut - SACC-M12-KD-NUT-SH - 1440151

Dimensional drawing



Approvals

Approvals

Approvals

EAC

Ex Approvals

Approval details

EAC	EAC	B.01742
-----	------------	---------

Phoenix Contact 2019 © - all rights reserved
<http://www.phoenixcontact.com>

PHOENIX CONTACT GmbH & Co. KG
Flachmarktstr. 8
32825 Blomberg
Germany
Tel. +49 5235 300
Fax +49 5235 3 41200
<http://www.phoenixcontact.com>