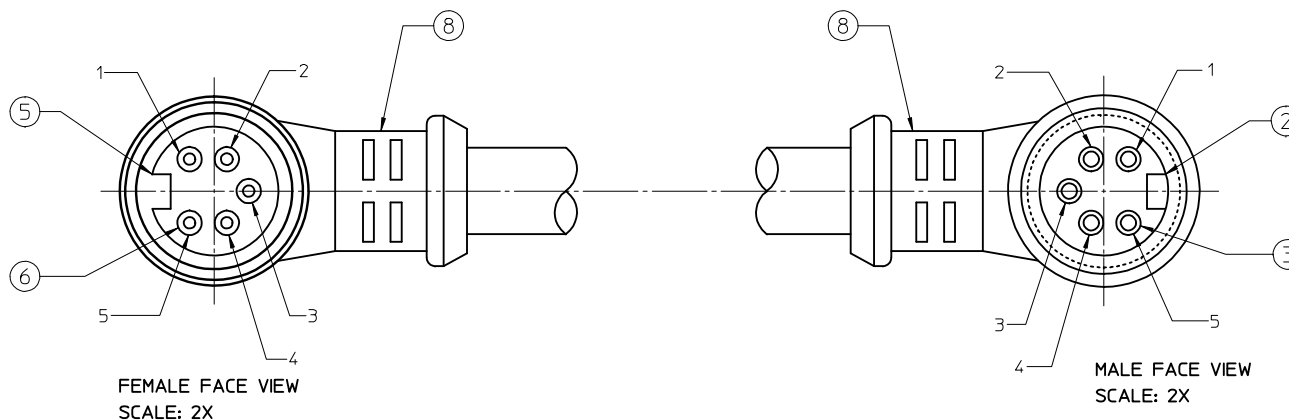
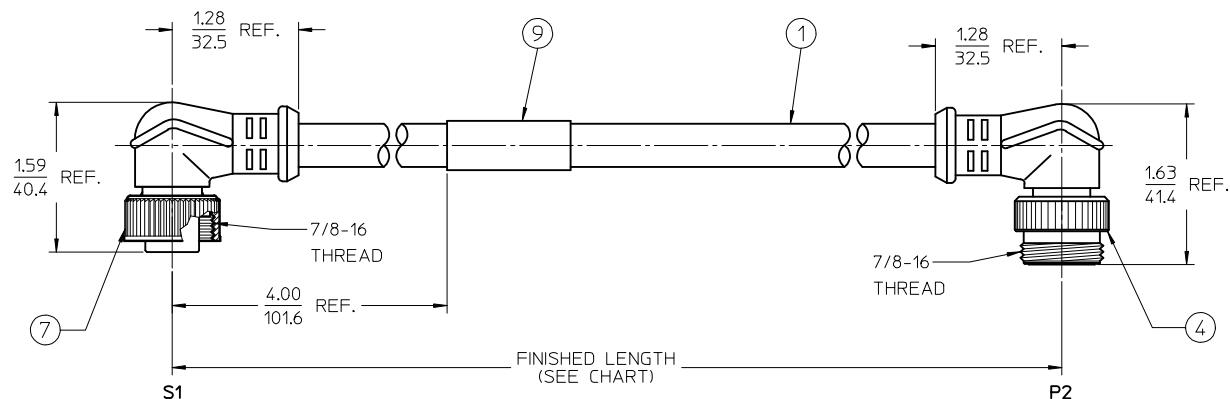


NOTES:

1. MATERIAL: SEE TABLE
2. FINISHES: SEE TABLE
3. ELECTRICAL SPECIFICATIONS  
VOLTAGE RATING: 300V AC/DC  
CURRENT RATING: 8 AMPS
4. PROTECTION: IP67
5. ASSEMBLY IS RoHS COMPLIANT BY EXEMPTION



115033B21MXXX

⑧ CABLE ASSY TYPE:  
MIN-CHANGE 5P  
FEMALE 90° TO  
MALE 90° EXT THD.

16AWG PUR  
GRAY

FINISHED LENGTH  
M005: 0.5 METERS  
M010: 1.0 METERS  
M100: 10.0 METERS

S1	P2
1	1
2	2
3	3
4	4
5	5

WIRING DIAGRAM

ITEM	QTY.	DESCRIPTION	MATERIAL	FINISH
9	1	WRAP LABEL	MYLAR	BLACK/YELLOW
8	2	OVERMOLD-90 DEG	PUR	BLACK
7	1	COUPLING RING-INT. THREAD	ZINC DIE-CAST	BLACK
6	5	CONTACT SOCKET	Cu ALLOY	GOLD PLATED
5	1	INSERT, 5P-FEMALE	PUR	BLACK
4	1	COUPLING RING-EXT. THREAD	ZINC DIE-CAST	BLACK
3	5	CONTACT PIN	Cu ALLOY	GOLD PLATED
2	1	INSERT, 5P-MALE	PUR	BLACK
1	A/R	CABLE 5/C, 1.5mm <sup>2</sup> (16 AWG)	PUR JACKET	GRAY

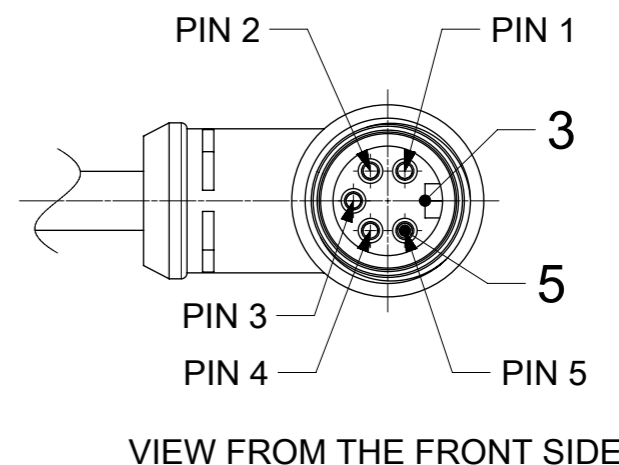
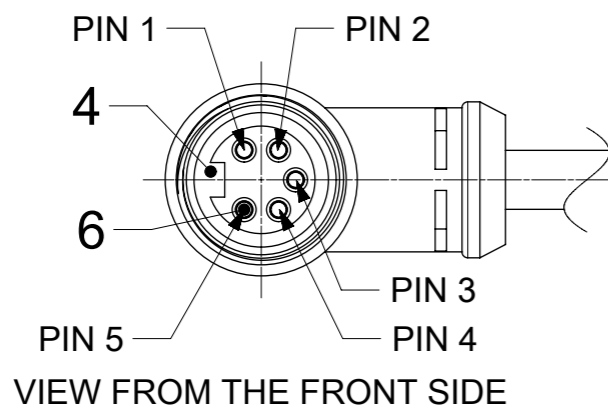
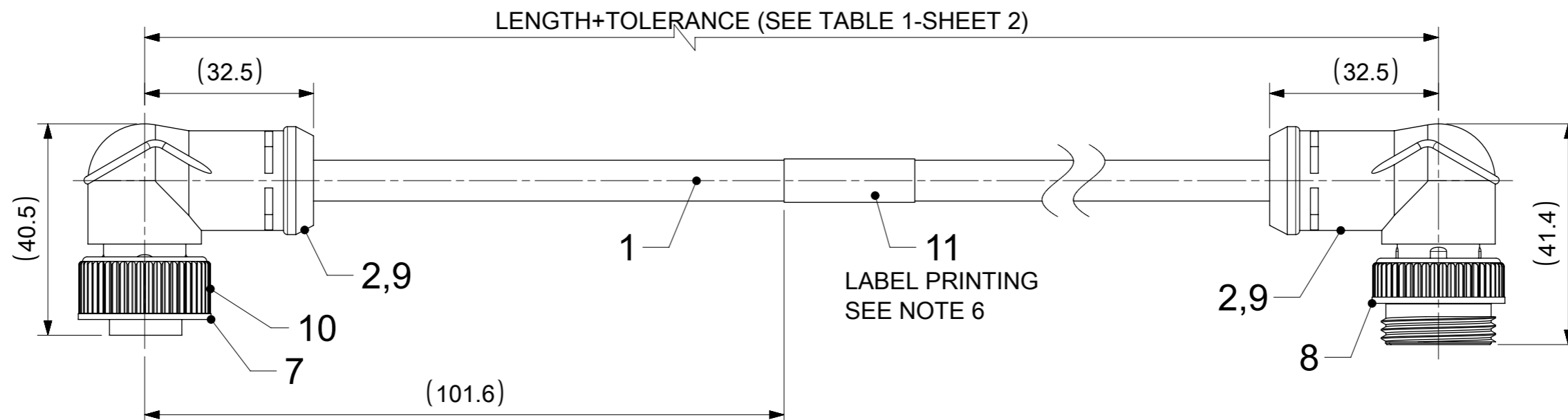
<b>ADDED PART NO. MATRIX</b> EC NO: IPG2016-1424 DRWNGGUSTAFSON 2016/04/20 CHKD:HZLEJINSKI 2016/05/12 APPR:BRUPERT 2016/04/28	QUALITY SYMBOLS ▽=0 ▽=0	GENERAL TOLERANCES (UNLESS SPECIFIED)		DIMENSION STYLE IN/MM	SCALE 1:1	DESIGN UNITS INCH	THIRD ANGLE PROJECTION		
		4 PLACES ± --- ± --- 3 PLACES ± --- ± --- 2 PLACES ± --- ± .01 1 PLACE ± 0.3 ± --- 0 PLACE ± --- ± ---	mm INCH	DRAWN BY RSTONE	DATE 2012/10/22	TITLE MINI-CHANGE CABLE ASSY. 5P MALE/FEMALE 90 DEG (16 AWG) PUR			
		ANGULAR ± 2 °		CHECKED BY K JOZWIK	DATE 2012/11/26	MATERIAL NO. -----			
		DRAFT WHERE APPLICABLE MUST REMAIN WITHIN DIMENSIONS		APPROVED BY JFMURPHY	DATE 2012/12/18	DOCUMENT NO. SD-130010-025		SHEET NO. 1 OF 1	

SIZE C THIS DRAWING CONTAINS INFORMATION THAT IS PROPRIETARY TO MOLEX INCORPORATED AND SHOULD NOT BE USED WITHOUT WRITTEN PERMISSION

NOTES:

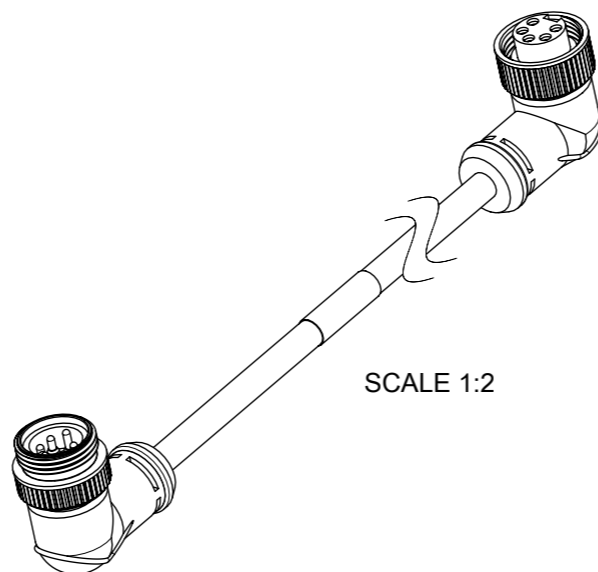
1. MATERIAL: AS NOTED
2. FINISH: AS NOTED
3. ELECTRICAL:  
CABLE TYPE (SEE SHEET 2)  
CURRENT: 10 A
4. PROTECTION: IP67 (WHEN MATED)
5. UL CERTIFICATION: UL LISTED, FILE NO. E152210
6. LABEL PRINTING ACC. STANDARD LABEL INSTRUCTION (SEE SHEET 2)

WIRING DIAGRAM



BILL OF MATERIAL

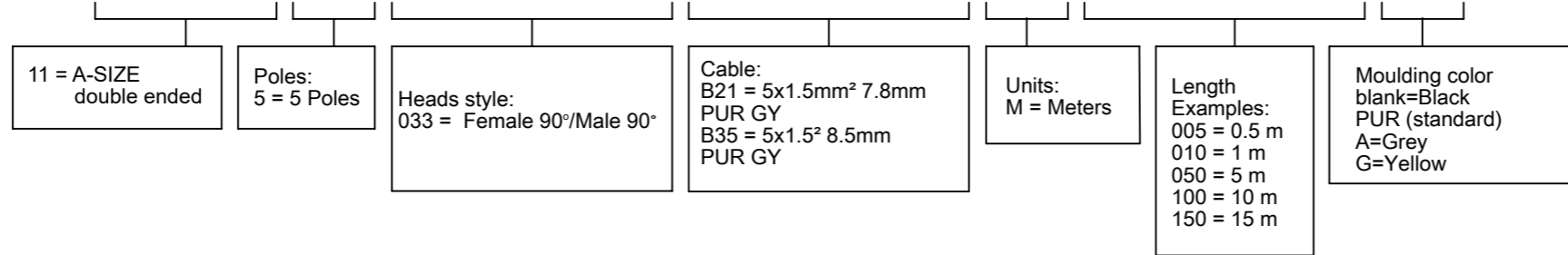
ITEM	QTY	DESCRIPTION	MATERIAL	FINISH/COLOR
11	1	LABEL;2.0X1.75;WRAP	VINYL	YELLOW
10	1	FRICTION RING - A SIZE	NYLON	-
9	-	TAPE;0.165MMx9MM	POLYSILOXANE	WHITE
8	1	MC COUPLING NUT A-SIZE	ZINC	BLACK
7	1	COUPLING NUT MC A-SIZE EXT. THD	ZINC	BLACK
6	5	MC SOCKET SLEEVE ASSY, 16 AWG	BRASS	GOLD
5	5	MC PIN CONTACT 16AWG	BRASS	GOLD
4	1	5P FEMALE INSERT A SIZE	PUR	BLACK
3	1	5P MALE INSERT A SIZE	PUR	BLACK
2	-	MOULDING MATERIAL	TPU	BLACK
1	-	CABLE 5/C, OD=8.5mm	TPU	GRAY
ITEM	QTY	DESCRIPTION	MATERIAL	FINISH/COLOR



FUNCTIONAL SYMBOLS	THIS DRAWING CONTAINS INFORMATION THAT IS PROPRIETARY TO MOLEX ELECTRONIC TECHNOLOGIES, LLC AND SHOULD NOT BE USED WITHOUT WRITTEN PERMISSION			
	$\nabla_A = 0$ $\nabla_F = 0$ $\nabla_V = 0$	DIMENSION UNITS: <b>mm</b> SCALE: <b>1:1</b>		
DIVISIONAL SYMBOLS	GENERAL TOLERANCES (UNLESS SPECIFIED)		EC NO: 747270 DRWN: RSCHIEBER 2023/04/21 CHK'D: RSILLER 2023/04/27 APPR: RSILLER 2023/04/27	
	ANGULAR TOL $\pm 1.0^\circ$ 4 PLACES $\pm$ 3 PLACES $\pm$ 2 PLACES $\pm 0.05$ 1 PLACE $\pm 0.3$ 0 PLACES $\pm 0.5$		INITIAL REVISION: DRWN: RSTONE 2013/12/09 APPR: JFMURPHY 2013/12/16	
DRAFT WHERE APPLICABLE MUST REMAIN WITHIN DIMENSIONS		THIRD ANGLE PROJECTION	DRAWING: <b>A3-SIZE</b>	SERIES: <b>130010</b>
DOCUMENT NUMBER: <b>SD-130010-031</b>		DOC TYPE: <b>PSD</b>	DOC PART: <b>001</b>	REVISION: <b>A3</b>
MATERIAL NUMBER: <b>SEE TABLE 1</b>		CUSTOMER: <b>GENERAL MARKET</b>		SHEET NUMBER: <b>1 OF 2</b>

PART No. MATRIX

1 1 5 0 3 3 B X X M X X X X

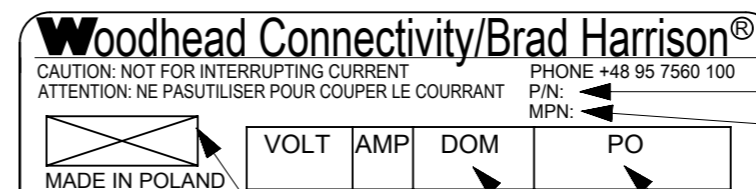


CABLE TYPE	No. OF WIRES	CROSS SECTION	CABLE JACKET	UL	CSA	STATIC: TEMP. / BENDING RADIUS	DYNAMIC: TEMP / BENDING RADIUS	VOLTAGE
B21	5	1.5 mm <sup>2</sup>	TPU GREY	UL STYLE 758	C22.2	-40°C to + 80°C	-5 °C TO +80 °C	300 V
B35	5	1.5 mm <sup>2</sup>	TPU GREY	UL STYLE 758	C22.2	-40°C to + 90°C	-25 °C TO +80 °C	600 V

TABLE 1

MOLEX PN	ENGINEERING NO.	L+Tol.[mm]
1300108036	115033B21M010	1000 +56
1300108037	115033B21M020	2000 +89
1300108038	115033B21M030	3000 +89
1300108039	115033B21M050	5000 +165
1300108040	115033B21M100	10000 +317
1300108041	115033B21M150	15000 +610
1300108042	115033B21M200	20000 +610
1300108051	115033B35M010	1000 +56
1300108052	115033B35M020	2000 +89
1300108053	115033B35M030	3000 +89
1300108054	115033B35M050	5000 +165
1300108055	115033B35M100	10000 +317
1300108056	115033B35M150	15000 +610
1300108057	115033B35M200	20000 +610

LABEL PRINTING



ENGINEERING NO.  
MOLEX PN

PO NO.  
PRODUCT. DATE

CERTIFICATION SYMBOLS

FUNCTIONAL SYMBOLS	THIS DRAWING CONTAINS INFORMATION THAT IS PROPRIETARY TO MOLEX ELECTRONIC TECHNOLOGIES, LLC AND SHOULD NOT BE USED WITHOUT WRITTEN PERMISSION	<b>molex</b>				
	CURRENT REV DESC: NOTES AND CABLE SPEC UPDATED, LABEL PRINTING ADDED			CSE MC 5P A-SIZE FE RA MA RA TPU XM		
	GENERAL TOLERANCES (UNLESS SPECIFIED)	PRODUCT CUSTOMER DRAWING				
	ANGULAR TOL ± 1.0°	EC NO: 747270 DRWN: RSCHIEBER 2023/04/21 CHK'D: RSILLER 2023/04/27 APPR: RSILLER 2023/04/27	DOCUMENT NUMBER	DOC TYPE	DOC PART	REVISION
4 PLACES ±	INITIAL REVISION: DRWN: RSTONE 2013/12/09 APPR: JFMURPHY 2013/12/16	SD-130010-031	PSD	001	A3	
3 PLACES ±		MATERIAL NUMBER	CUSTOMER	SHEET NUMBER		
2 PLACES ± 0.05					SEE TABLE 1	GENERAL MARKET
1 PLACE ± 0.3		THIRD ANGLE PROJECTION	DRAWING	SERIES	MATERIAL NUMBER	CUSTOMER
0 PLACES ± 0.5	DRAFT WHERE APPLICABLE MUST REMAIN WITHIN DIMENSIONS	A3-SIZE	130010	SEE TABLE 1	GENERAL MARKET	2 OF 2