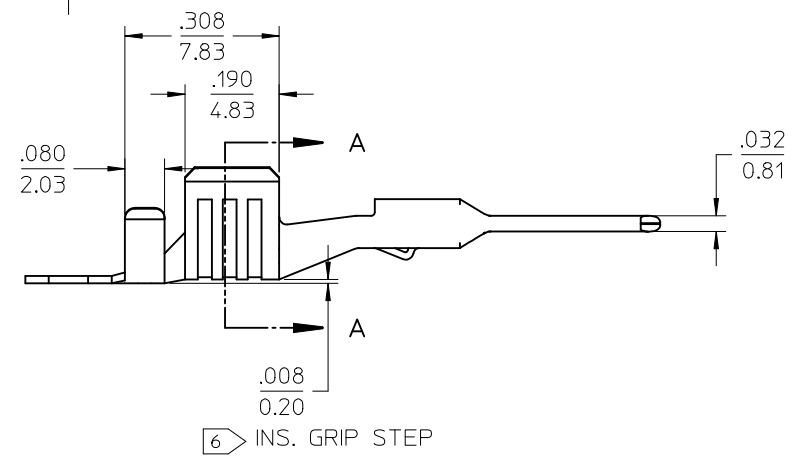
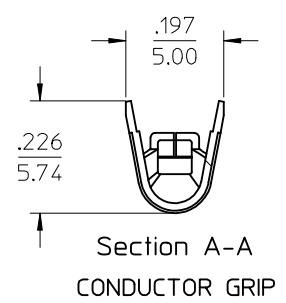
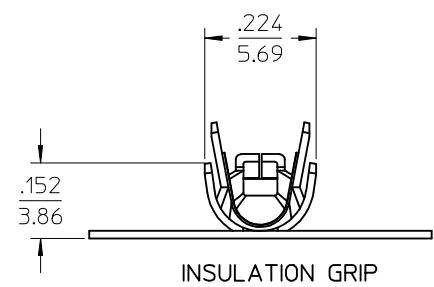
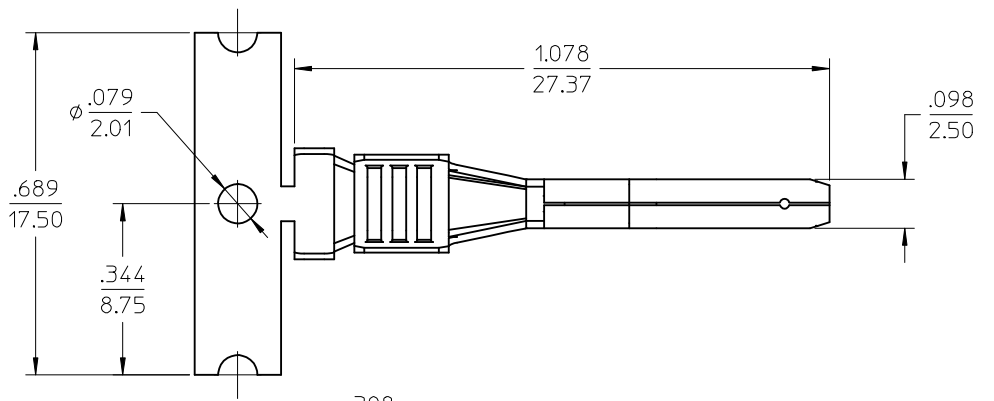
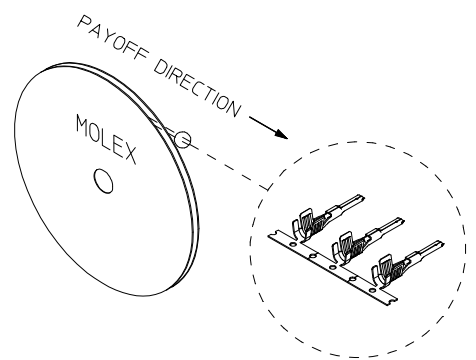
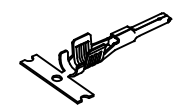


10 9 8 7 6 5 4 3 2 1

STRIP MATERIAL NUMBER	LOOSE PIECE MATERIAL NUMBER	AWG SIZE (MM?)	WIRE INSULATION DIAMETER
194310064	194310065	12AWG TW (3.00MM?)	.122"-.134" (3.10MM-3.40MM)



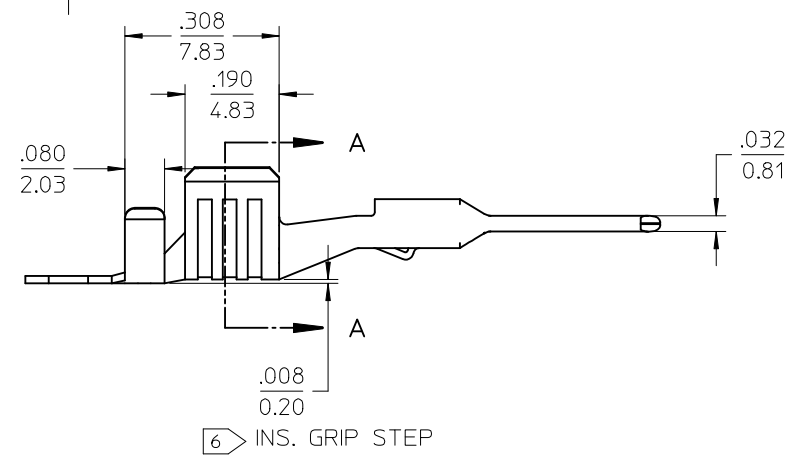
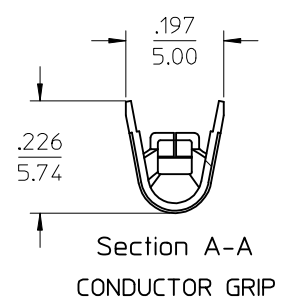
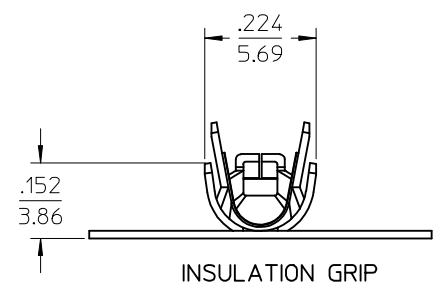
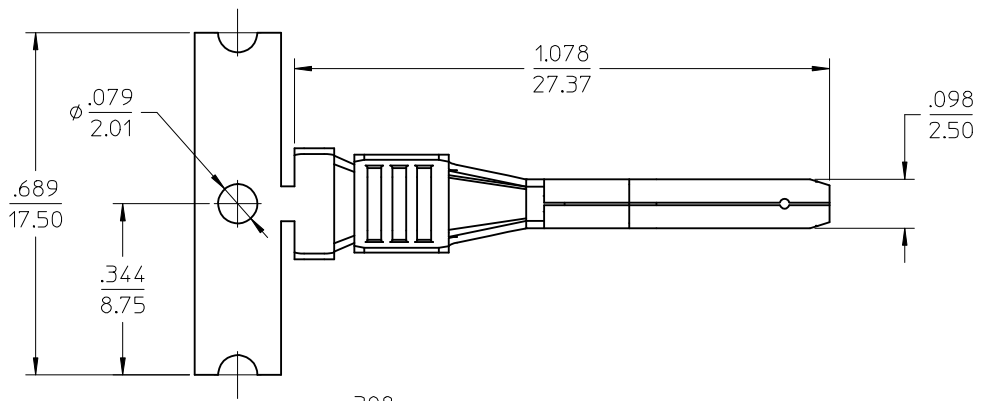
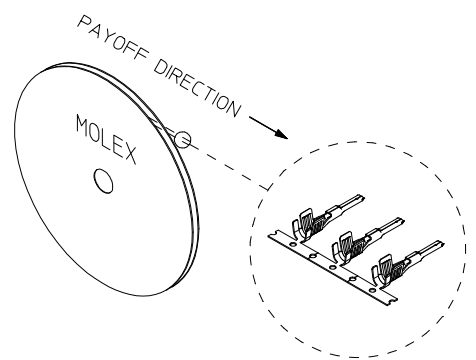
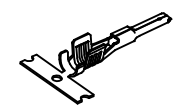
- NOTES:
1. MATERIAL: COPPER ALLOY.
 2. FINISH: PREPLATED AND REFLOWED OVERALL. 100μ TIN OVER 50μ NICKEL, MINIMUM.
 3. DO NOT USE TERMINALS WITH 19433**** PLUG HOUSINGS.
 4. PACKAGING SPECIFICATION: PK-19431-001 FOR LOOSE TERMINALS. STRIP PARTS ARE REELED 2500 TERMINALS PER REEL.
 5. APPLICATION TOOLING AND CRIMP SPECIFICATIONS: CONSULT FACTORY
 - 6 INSULATION GRIP STEP DIMENSION NOT TO BE ALTERED BY CRIMP PROCESS.
 7. ALL DIMENSIONS ARE REFERENCE.

UPDATE WIRE AWG EC NO: PG2014-1616 DRW:WLEUNG 2014/03/13 CHKD:BRUPERT 2014/03/13 APPR:BMOODMAN 2014/03/30	DESCRIPTION B	QUALITY SYMBOLS	GENERAL TOLERANCES (UNLESS SPECIFIED)	DIMENSION STYLE	SCALE	DESIGN UNITS	THIRD ANGLE PROJECTION	
		$\nabla F=0$ $\nabla E=0$ $\nabla F=0$	mm INCH 4 PLACES ± --- ± --- 3 PLACES ± --- ± .010 2 PLACES ± 0.25 ± .02 1 PLACE ± 0.5 ± --- 0 PLACE ± --- ± ---	IN/MM	4:1	INCH	DRAWN BY: WLEUNG DATE: 2013/12/12 CHECKED BY: BRUPERT DATE: 2013/12/13 APPROVED BY:	MALE PIN TERMINAL, 12AWG TW (3.0MM/2) THIN WALL INSULATION molex DOCUMENT NO. SD-19431-004 SHEET NO. 1 OF 1
		ANGULAR ± 3° DRAFT WHERE APPLICABLE MUST REMAIN WITHIN DIMENSIONS	SEE CHART	MATERIAL NO.	SIZE B			
		THIS DRAWING CONTAINS INFORMATION THAT IS PROPRIETARY TO MOLEX INCORPORATED AND SHOULD NOT BE USED WITHOUT WRITTEN PERMISSION						

ib_frame_B_P_AM_T Rev. G 2012/01/11 9 8 7 6 5 4 3 2 1

10 9 8 7 6 5 4 3 2 1

STRIP MATERIAL NUMBER	LOOSE PIECE MATERIAL NUMBER	AWG SIZE (MM?)	WIRE INSULATION DIAMETER
194310064	194310065	12AWG TW (3.00MM?)	.122"-.134" (3.10MM-3.40MM)



- NOTES:
1. MATERIAL: COPPER ALLOY.
 2. FINISH: PREPLATED AND REFLOWED OVERALL. 100μ TIN OVER 50μ NICKEL, MINIMUM.
 3. DO NOT USE TERMINALS WITH 19433**** PLUG HOUSINGS.
 4. PACKAGING SPECIFICATION: PK-19431-001 FOR LOOSE TERMINALS. STRIP PARTS ARE REELED 2500 TERMINALS PER REEL.
 5. APPLICATION TOOLING AND CRIMP SPECIFICATIONS: CONSULT FACTORY
 - 6 > INSULATION GRIP STEP DIMENSION NOT TO BE ALTERED BY CRIMP PROCESS.
 7. ALL DIMENSIONS ARE REFERENCE.

UPDATE WIRE AWG EC NO: IPG2014-1616 DRW:WLEUNG 2014/03/13 CHKD:BRUPERT 2014/03/13 APPR:BMOODMAN 2014/03/30	DESCRIPTION B	QUALITY SYMBOLS	GENERAL TOLERANCES (UNLESS SPECIFIED)	DIMENSION STYLE	SCALE	DESIGN UNITS	THIRD ANGLE PROJECTION	
		$\nabla F=0$ $\nabla E=0$ $\nabla F=0$	mm INCH 4 PLACES ± --- ± --- 3 PLACES ± --- ± .010 2 PLACES ± 0.25 ± .02 1 PLACE ± 0.5 ± --- 0 PLACE ± --- ± ---	IN/MM	4:1	INCH	DRAWN BY WLEUNG DATE 2013/12/12 CHECKED BY BRUPERT DATE 2013/12/13 APPROVED BY DATE	MALE PIN TERMINAL, 12AWG TW (3.0MM/2) THIN WALL INSULATION molex DOCUMENT NO. SD-19431-004 SHEET NO. 1 OF 1
		ANGULAR ± 3° DRAFT WHERE APPLICABLE MUST REMAIN WITHIN DIMENSIONS	SEE CHART	MATERIAL NO.				
			SIZE B	THIS DRAWING CONTAINS INFORMATION THAT IS PROPRIETARY TO MOLEX INCORPORATED AND SHOULD NOT BE USED WITHOUT WRITTEN PERMISSION				

10 9 8 7 6 5 4 3 2 1