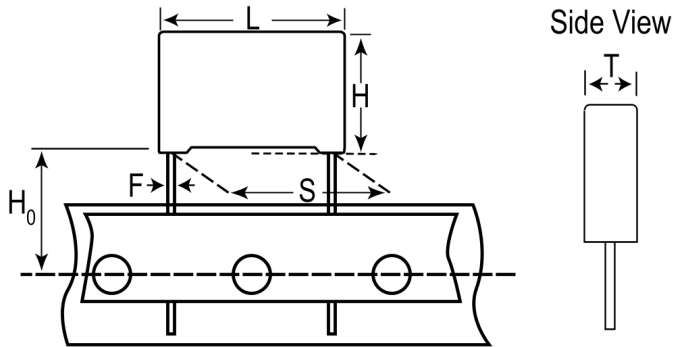


## R75GI3470GY00J

Aliases (75GI3470GY00J)

R75, Film, Metallized Polypropylene, Automotive Grade, 0.47 uF, 5%, 160 VDC, 85°C, Lead Spacing = 15mm



Click [here](#) for the 3D model.

### Dimensions

L	18mm +/-0.5mm
H	13.5mm +0.1/-0.5mm
T	7.5mm +0.2/-0.5mm
S	15mm +/-0.4mm
H0	18.5mm +/-0.5mm
F	0.8mm +/-0.05mm

### Packaging Specifications

Packaging	T&R
Packaging Quantity	350

### General Information

Series	R75
Dielectric	Metallized Polypropylene
Style	Radial
Features	Automotive Grade, Pulse
RoHS	Yes
Lead	Wire Leads
Qualifications	AEC-Q200
AEC-Q200	Yes
Component Weight	2.3 g
Miscellaneous	Above 85C DC And AC Voltage Derating Is 1.25%/C.

### Specifications

Capacitance	0.47 uF
Capacitance Tolerance	5%
Voltage AC	90 VAC
Voltage DC	160 VDC
Temperature Range	-55/+105°C
Rated Temperature	85°C
Dissipation Factor	0.05% 1kHz, 0.08% 10kHz
Insulation Resistance	63.8298 GOhms
Max dV/dt	100 V/us
Resistance	10.2 mOhms (100kHz)
Ripple Current	6.23 Amps (100kHz 85C), 56 Amps (Peak)
Inductance	10 nH

Statements of suitability for certain applications are based on our knowledge of typical operating conditions for such applications, but are not intended to constitute - and we specifically disclaim - any warranty concerning suitability for a specific customer application or use. This information is intended for use only by customers who have the requisite experience and capability to determine the correct products for their application. Any technical advice inferred from this information or otherwise provided by us with reference to the use of our products is given gratis, and we assume no obligation or liability for the advice given or results obtained.