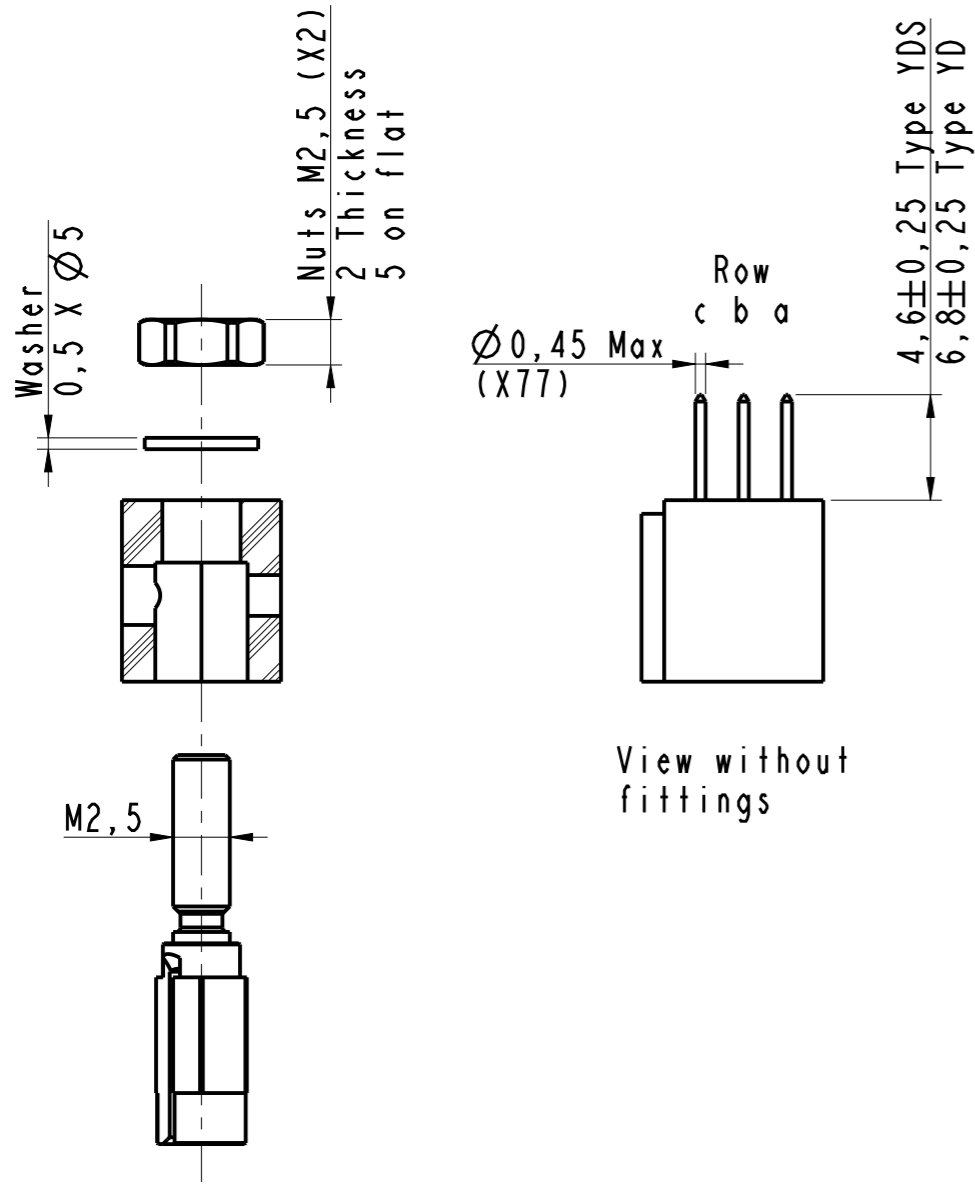
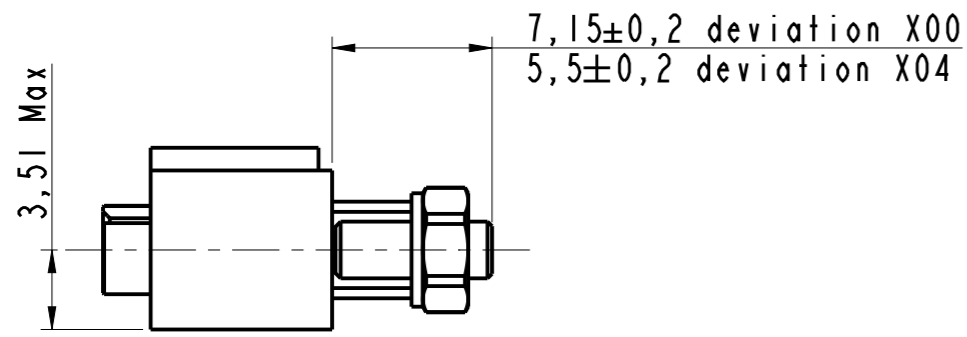
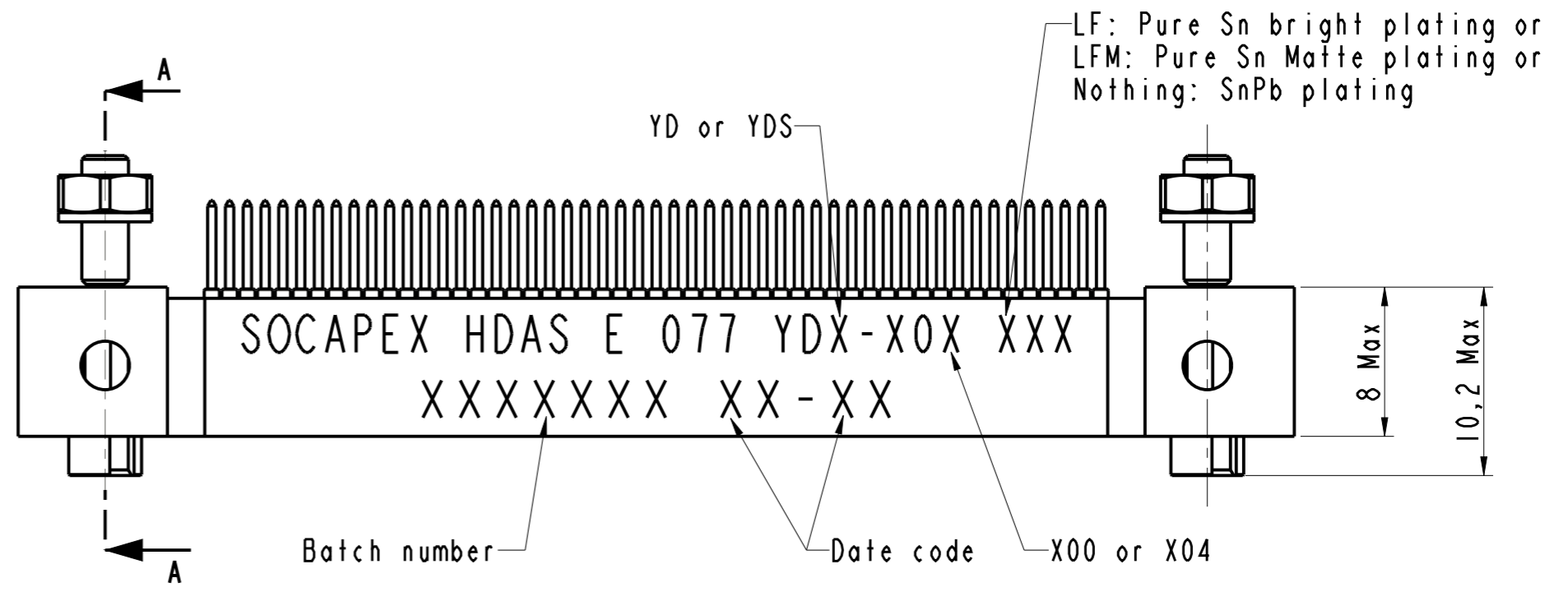
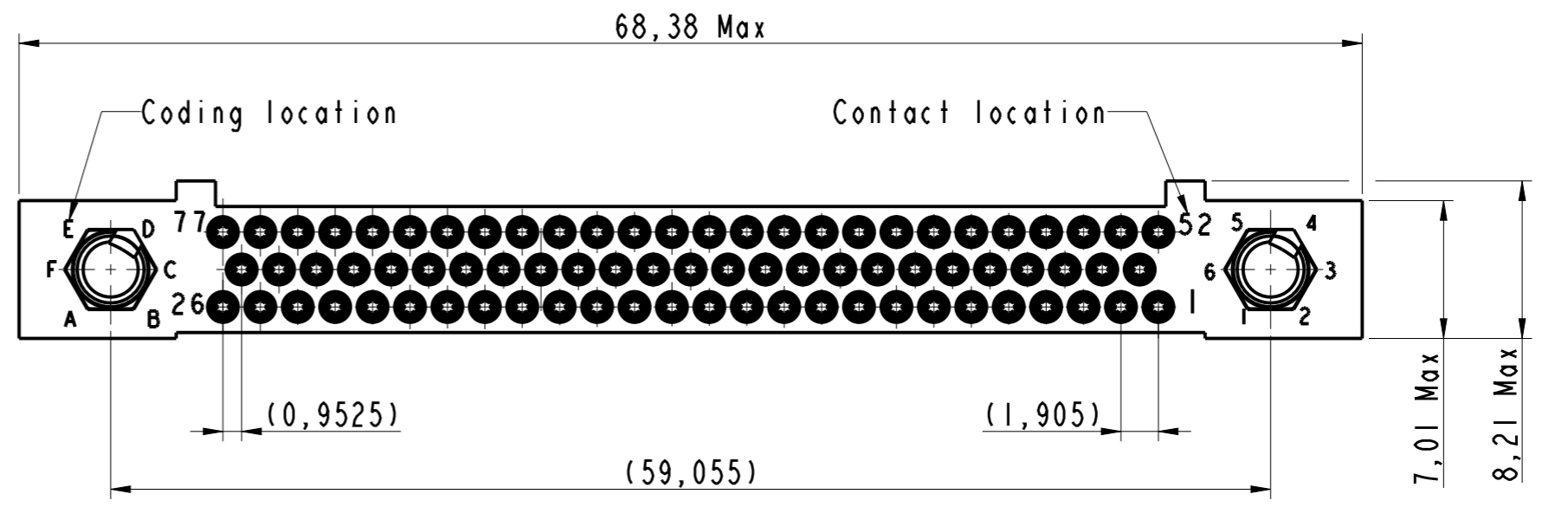


IN THE CONSTANT PURPOSE OF IMPROVING ITS PRODUCTS, Amphenol Socapex RESERVES THE RIGHT TO MODIFY ANY DIMENSION OR CHARACTERISTICS.
FM.NPD.0036.THYEZ.PUNE rev C



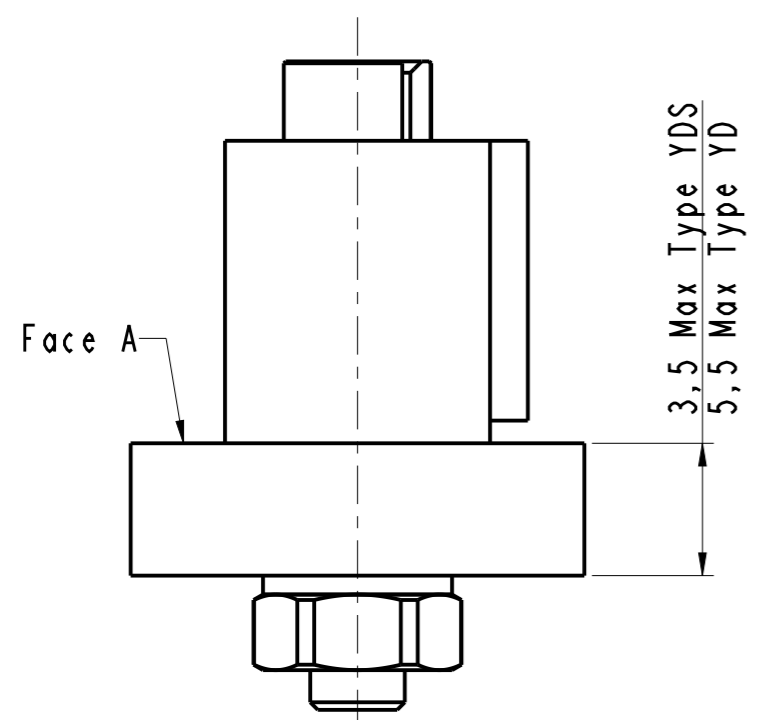
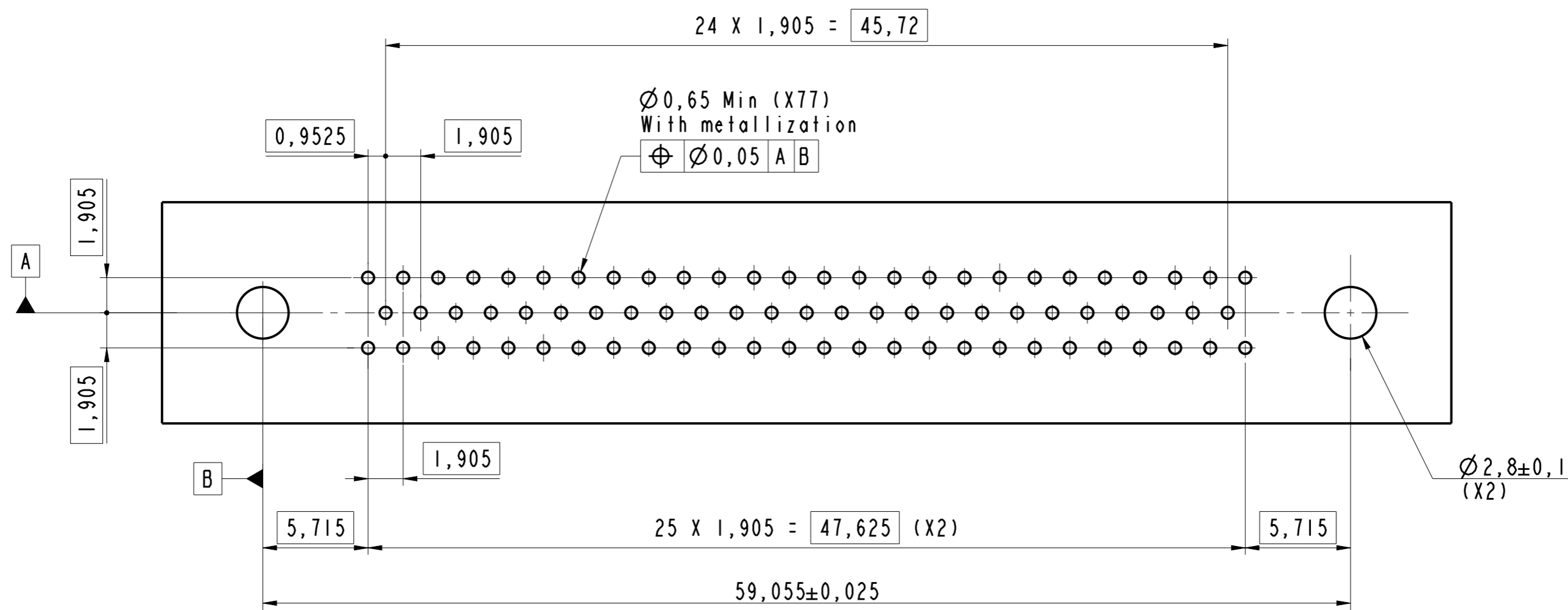
- Notes:
1. Part: HDAS E 077 YDX-X0X XXX
 2. External dimensions of the receptacle insulator with 77 signal contacts type YDX
 3. Connector delivered with fittings not assembled, coupling torque 0,25Nm.
 4. Standard 00X : Nickel plated over brass fittings
Deviation 10X: Passivated stainless steel fittings.



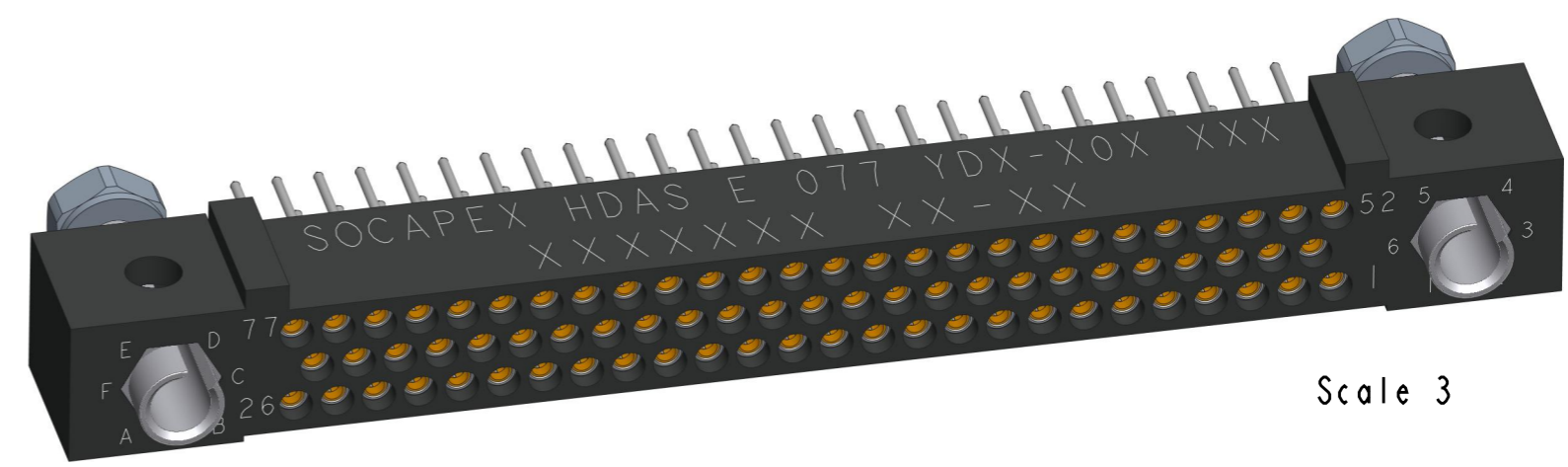
HDAS E 077 YDX-X0X XXX

DRAWN BY: N. Sutar		UPDATED BY: S Satpute		LAST APPROVED BY: T Carrier	
ALL DIMENSIONS ARE IN MM	AMPHENOL SOCAPEX			ORIGINAL DRAWING DATE: 13/12/2011	CONFIGURATION DATA ARE AVAILABLE IN PDM
				SCALE: 3	REV: F
B.P. 29 74311 THYEZ CEDEX		169-PLC-892-00			

PCB Layout Face A



Scale 5



HDAS E 077 YDX-X0X XXX

DRAWN BY : N. Sutar		UPDATED BY : S Satpute		LAST APPROVED BY : T Carrier	
ALL DIMENSIONS ARE IN MM		AMPHENOL SOCAPEX		ORIGINAL DRAWING DATE : 13/12/2011	CONFIGURATION DATA ARE AVAILABLE IN PDM
SCALE : 5				REV : F	PAGE : 2/2
		B.P. 29 74311 THYEZ CEDEX		169-PLC-892-00	

IN THE CONSTANT PURPOSE OF IMPROVING ITS PRODUCTS, Amphenol Socapex RESERVES THE RIGHT TO MODIFY ANY DIMENSION OR CHARACTERISTICS.
FM.NPD.0036.THYEZ.PUNE rev C