

6

5

4

3

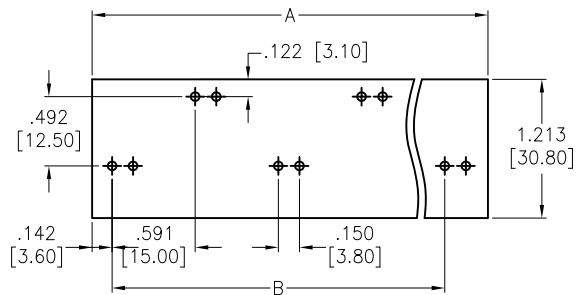
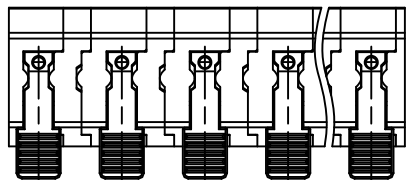
2

1

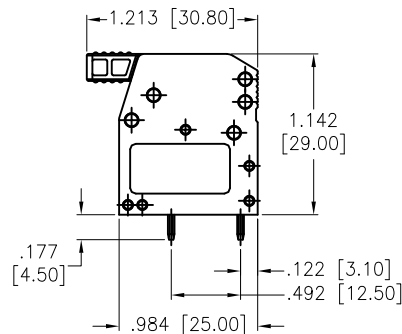
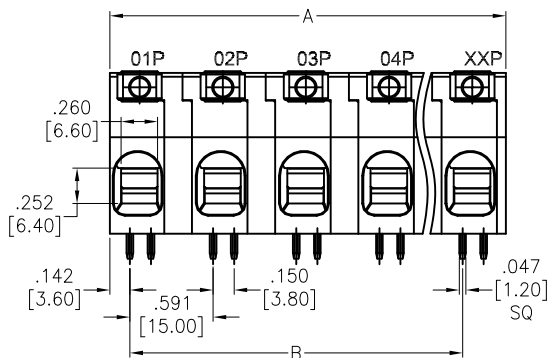
APPROVED: _____

DATE: _____ TITLE: _____

Rev	AWO #	Description	Date	Appr
-		RELEASED	2/22/21	



RECOMMENDED PCB LAYOUT



SPECIFICATIONS:

Material:

Insulator: PA, rated UL 94V-0
Insulator color: Green
Pin Header: Copper Alloy, Tin plated

Electrical:

Voltage rating: 600 V
Current rating: 51 A
Dielectric withstanding voltage: 2,200 V for 1 minute

Mechanical:

Wire range: 18~4AWG
Wire strip length: 17-18mm
Temperature Rating:
Operating temperature: -40°C to +105°C
Environmental:
Lead free, RoHS compliant.



Positions: 02 thru 18

A= .591 [15.00] x No. of Space + .449 [11.40]

B= .591 [15.00] x No. of Space

UNLESS OTHERWISE SPECIFIED
ALL DIMENSIONS ARE INCHES [MM]
TOLERANCES: EXCEPT AS NOTED

INCHES	HOLES
.X ± .10	Ø.X ± .10
.XX ± .020	Ø.XX ± .015
.XXX ± .015	Ø.XXX ± .010



909 Rahway Avenue,
Union, NJ 07083
Phone: 908-687-5000
Fax: 908-687-5710

TITLE
.591[15.00] PITCH SPRING CLAMP
TERMINAL BLOCKS, RIGHT ANGLE

APPROVALS		DATE
DRAWN	LH	2/22/21
CHECKED	NL	2/22/21
APPROVED		

SIZE X	PART NO. EB171A-XX-K	REV. -
REF: S00067C	SCALE: NTS	SHEET 1 OF 1

6

5

4

3

2

1