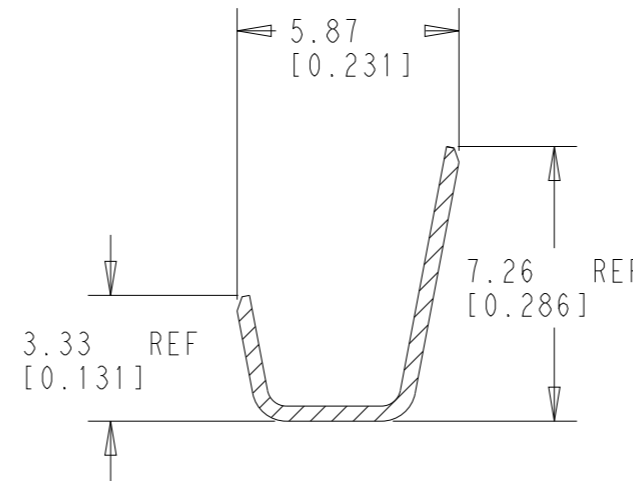
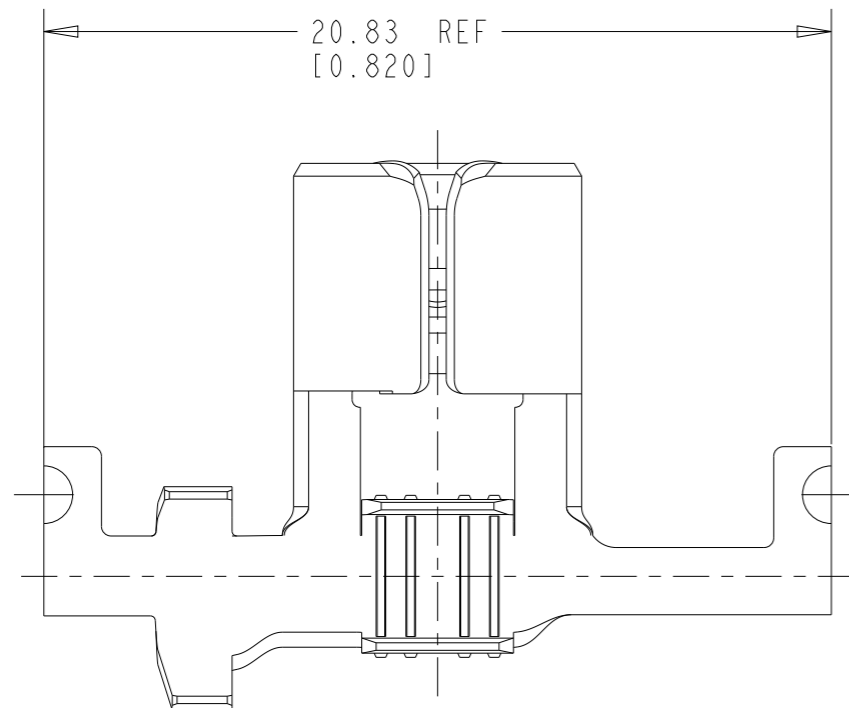
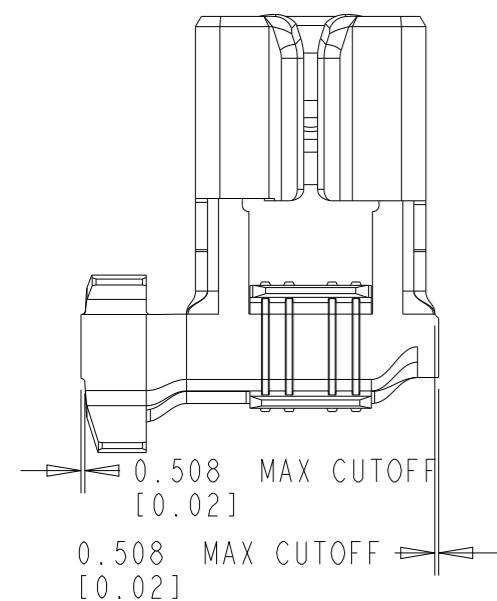
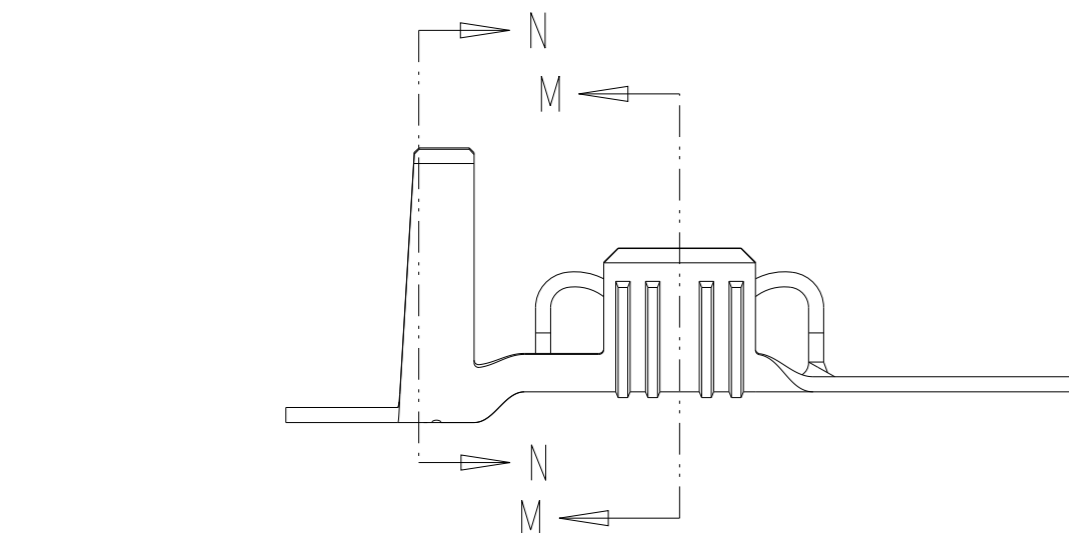
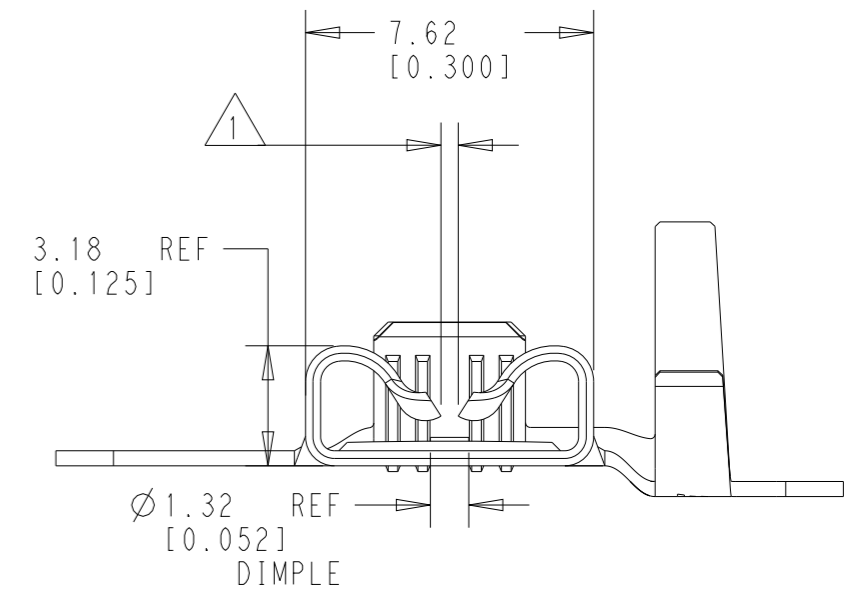
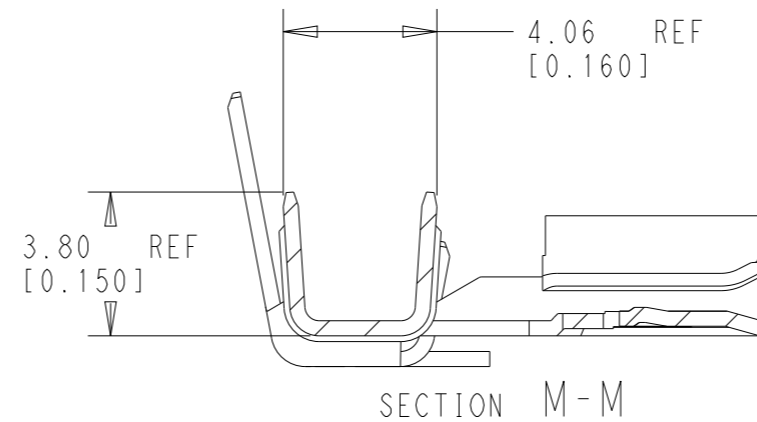


P	LTR	DESCRIPTION	DATE	DWN	APVD
	A	RELEASED PER ECN-21-100667	17FEB2021	BKW	DH
	A1	REVISED PER ECN-23-198737	15FEB2023	BKW	WM



- 1 CONTACT ROLLS TO NOT TOUCH ONE ANOTHER
- 2. WIRE RANGE: 16-12 AWG
INSULATION RANGE: .120-.170
- 3. CONTINUOUS STRIP ON REELS
- 4. MATING TAB THICKNESS IS 0.81±0.025 [0.032±.001]
- 5 PRELIMINARY PART - NOT RELEASED FOR PRODUCTION
PART HAS NOT COMPLETED QUALIFICATION TESTING



RECOMMENDED CUTOFF
SCALE 4:1

SILVER	BRASS	5 2375767-4
PRE-TIN	BRASS	2375767-3
FINISH	MATERIAL	PART NUMBER

THIS DRAWING IS A CONTROLLED DOCUMENT.		DWN B. WEAVER 29JUN2020	TE Connectivity											
DIMENSIONS: mm [IN]		CHK D. HUMPHREY 29JUN2020												
TOLERANCES UNLESS OTHERWISE SPECIFIED:		APVD W. MOYER 29JUN2020												
<table border="0"> <tr><td>0 PLC</td><td>±-</td></tr> <tr><td>1 PLC</td><td>±-</td></tr> <tr><td>2 PLC</td><td>±-</td></tr> <tr><td>3 PLC</td><td>±0.25 [.010]</td></tr> <tr><td>4 PLC</td><td>±-</td></tr> <tr><td>ANGLES</td><td>±-</td></tr> </table>		0 PLC			±-	1 PLC	±-	2 PLC	±-	3 PLC	±0.25 [.010]	4 PLC	±-	ANGLES
0 PLC	±-													
1 PLC	±-													
2 PLC	±-													
3 PLC	±0.25 [.010]													
4 PLC	±-													
ANGLES	±-													
MATERIAL SEE TABLE	FINISH SEE TABLE	APPLICATION SPEC -	NAME FASTON RECEPTACLE, LEFT HAND FLAG, 250 SERIES	SIZE A3	CAGE CODE 00779	DRAWING NO C-2375767	RESTRICTED TO -							
CUSTOMER DRAWING			SCALE 3:1	SHEET 1 OF 1	REV A1									