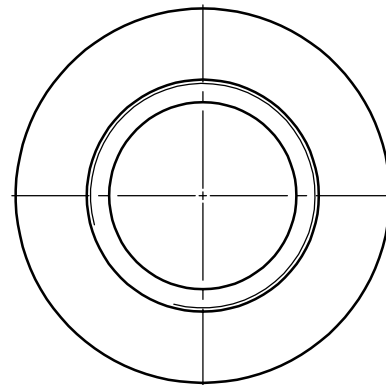
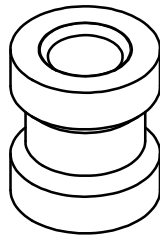
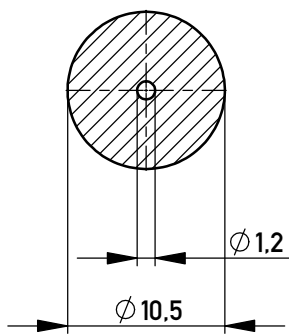


Layout - Vorschlag  
PCB - Layout proposal  
M 2:1  
scale 2:1

M 2:1 / scale 2:1



5-10 $\mu$ m Sn matt über 1-3 $\mu$ m Ni /  
5-10 $\mu$ m sn matt over 1-3 $\mu$ m ni

Oberfläche (A) / plating (A)

Copyright by ERNI Production GmbH & Co. KG  
Proprietary notice pursuant to ISO 16016 to be observed.

Information:		Tolerances	Scale	5:1
All rights reserved. Only for Information. To ensure that this is the latest version of this drawing, please contact one of the ERNI companies before using.		 All Dimensions in mm	Material: CuZn39Pb3	
			Designation <b>PowerElement SMD</b> <b>female thread M6 with peg</b>	
b	09.05.2017	 www.ERNI.com	<b>225871</b>	
Index	Date			
			I A4	