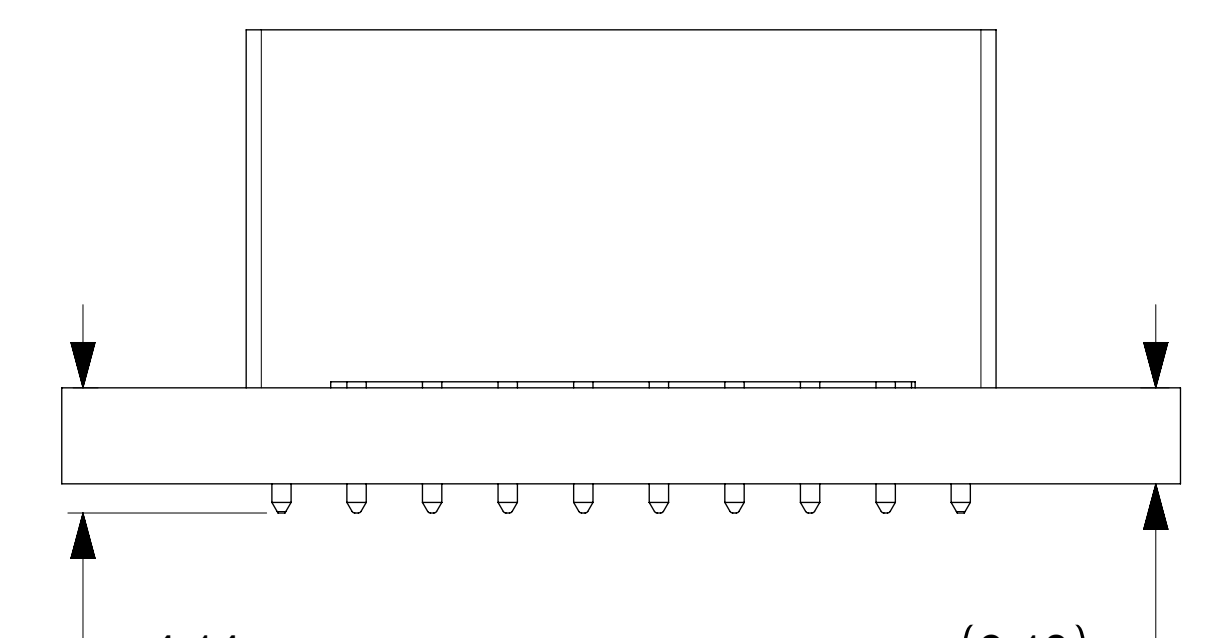
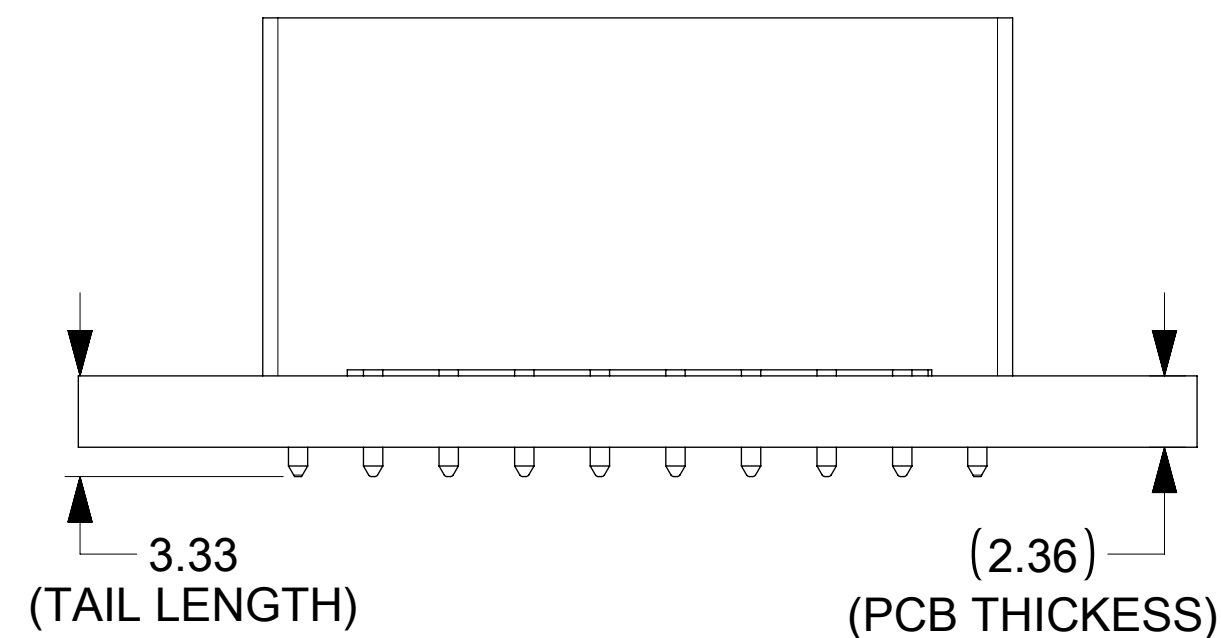
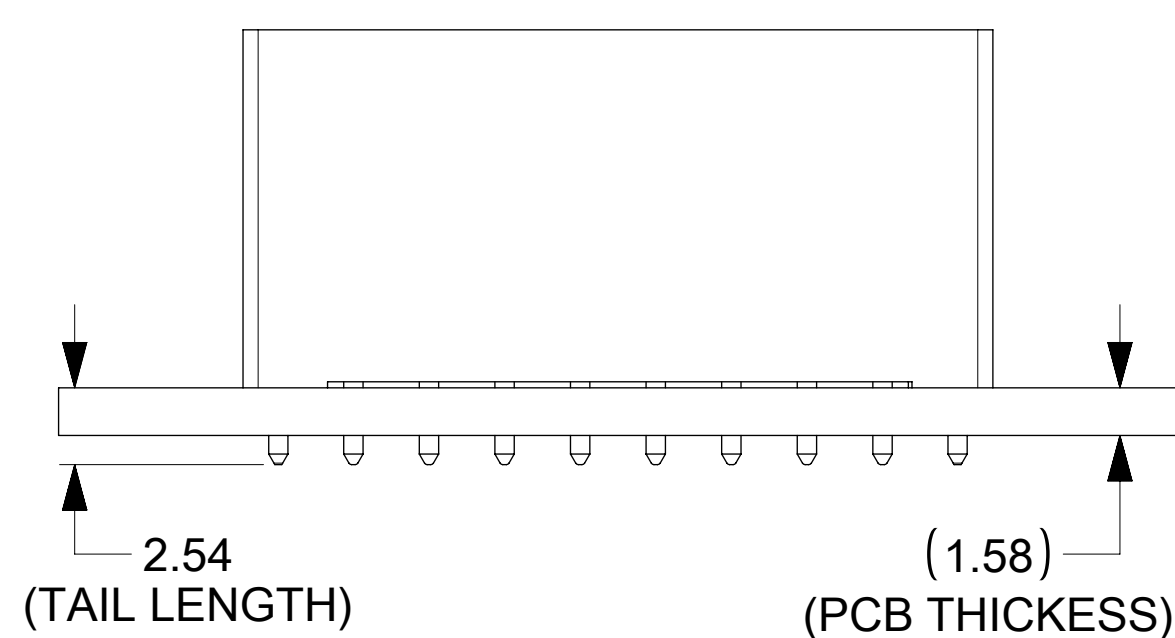


MATED WITH MALE-PIN ASSEMBLY

NOTES:

1. MATERIALS:
 - i. TERMINALS & COMPLIANT PINS: COPPER ALLOY
 - ii. POLYMER WITH GLASS FILLED; COLOR:BLACK
 - iii. OTHER COMPONENT: STAINLESS STEEL.
2. PLATING:
 - i. CONTACT AREA: GOLD.
 - ii. REST AREA: SILVER WITH TARNISH INHIBITOR
3. MATES WITH THE STANDARD PIN DRAWINGS:
 - i. 8.00MM PRESS FIT DRAWING 2032630001-SD, MIN MATING DISTANCE 5.25MM
 - ii. 8.00MM SCREW MOUNT DRAWING 2032634185-SD, MIN MATING DISTANCE 4.25MM
 - iii. 8.00MM SCREW MOUNT DRAWING 2032635185-SD, MIN MATING DISTANCE 7.77MM
4. PRODUCT SPECIFICATION: 2151130000-PS (REFER THIS FOR PLATED THRU HOLE SIZE).
5. APPLICATION SPECIFICATION: 2151130000-AS
6. PACKAGING SPECIFICATION: 2166170000-PK
7. SILVER COMPONENTS WILL BE SUPPLIED TARNISH FREE BUT MAY TARNISH OVER TIME.
8. MAX. OFFSET MATING IS 1.00MM IN ALL DIRECTION WITHIN X-Y PLAN.
9. RECOMMENDED PCB THICKNESS (REFER TO RESPECTIVE TAIL VIEW) / TABLE IN SHEET 2.
10. MODULE ASSEMBLY IS RoHS COMPLIANT.
11. MEET COSMETIC SPEC PS-45499-002; CLASS B.
12. FOR USE WITH '2-32' TYPE AB SELF THREADING SCREWS. MOLEX SCREW P/N 73726-XXXX OF LENGTH X.XXMM (SCREWS INCLUDED: TBD). MAX TORQUE IS 4IN-LBS.
13. ONLY COMPLIANT PIN WITH PLANE HOUSING (PN: 2141320001) IS TOOLED AND ONLY DESIGN EXIST FOR REST ALL PART NUMBERS. REFER TABLE IN SHEET 2 FOR TOOLING STATUS. CONTACT MOLEX FOR MORE INFORMATION.

SOLDER-TAIL VERSION (NOT TOOLED) (SEE NOTE 13)



FOR .062" PCB

FOR .093" PCB

FOR .125" PCB

THIS DRAWING CONTAINS INFORMATION THAT IS PROPRIETARY TO MOLEX ELECTRONIC TECHNOLOGIES, LLC AND SHOULD NOT BE USED WITHOUT WRITTEN PERMISSION

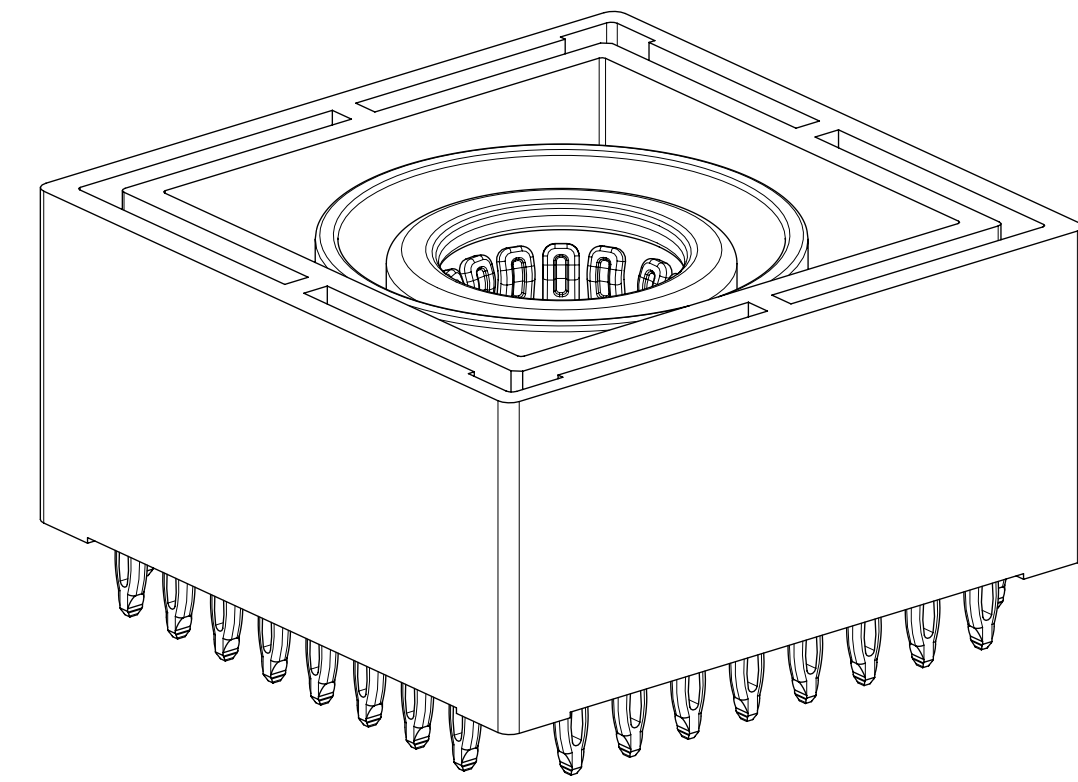
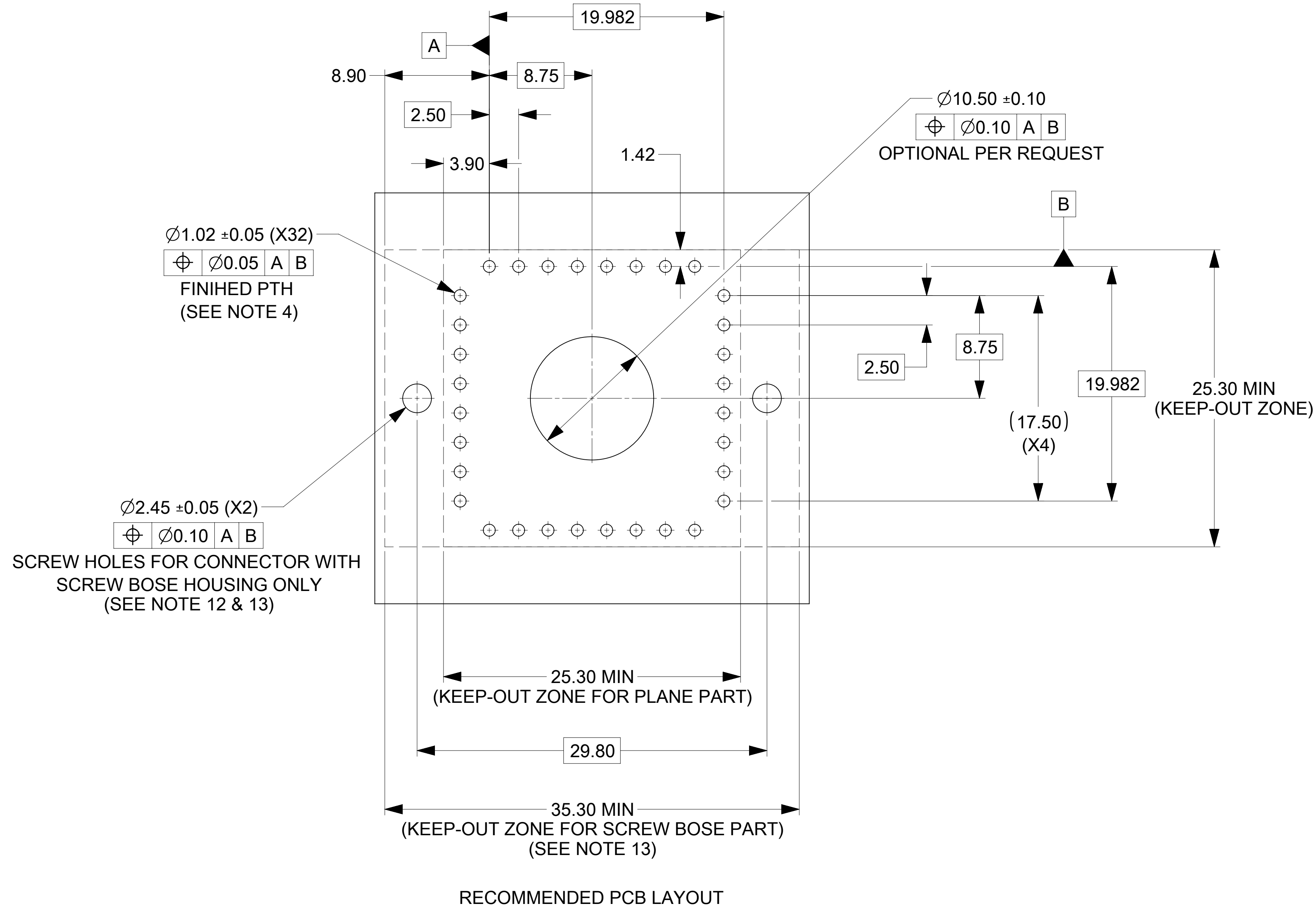
DIMENSION UNITS	SCALE	CURRENT REV DESC: UPDATED NOTE 6.	
mm	4:1		
GENERAL TOLERANCES (UNLESS SPECIFIED)			
ANGULAR TOL	± 3.0°		
4 PLACES	±	EC NO: 692327	2021/12/16
3 PLACES	±	DRWN: SCS02	2022/01/20
2 PLACES	± 0.38	CHK'D: JJONIAK	2022/01/20
1 PLACE	± 0.25	APPR: JJONIAK	2022/01/20
0 PLACES	±	INITIAL REVISION:	
DRAFT WHERE APPLICABLE MUST REMAIN WITHIN DIMENSIONS		DRWN: SCS02	2021/12/08
		APPR: JJONIAK	2021/12/09
THIRD ANGLE PROJECTION	DRAWING	SERIES	MATERIAL NUMBER
	D-SIZE	216617	SEE TABLE
		CUSTOMER	SHEET NUMBER
		GENERAL MARKET	1 OF 2

molex

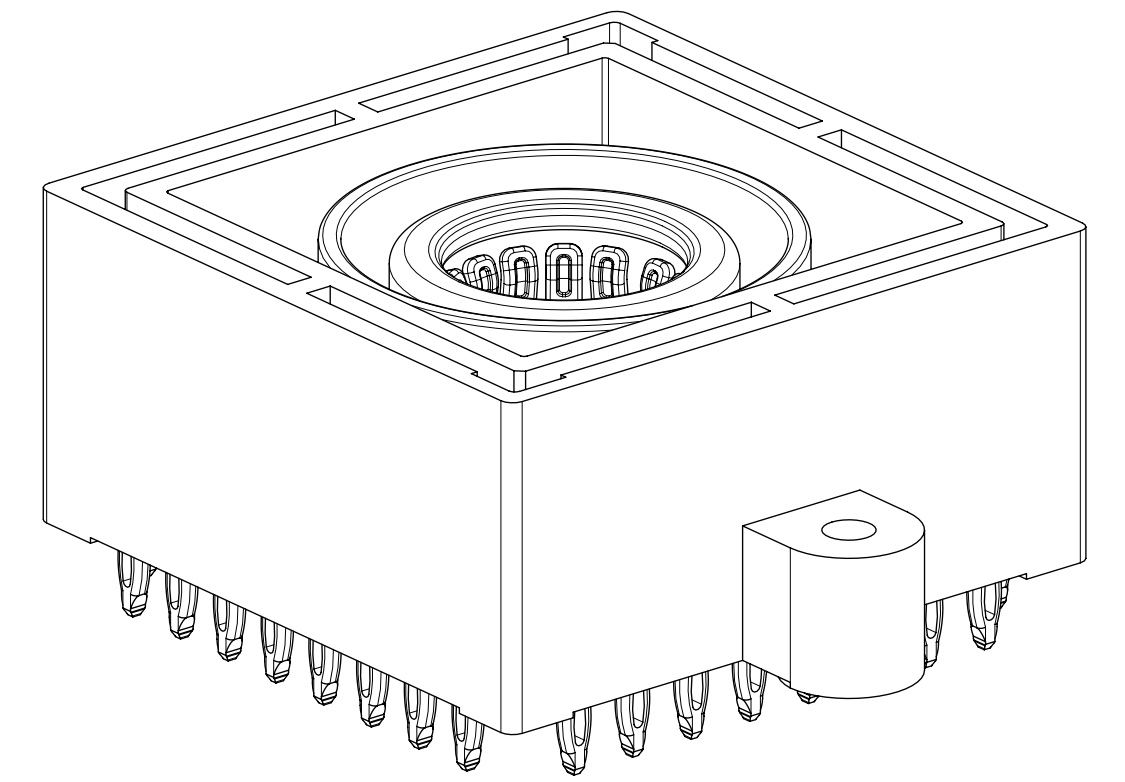
ASSEMBLY, COMPLIANT-PIN & SOLDER-TAIL
8.00MM COEUR CENTRALITY EON, WITH FLOAT

PRODUCT CUSTOMER DRAWING

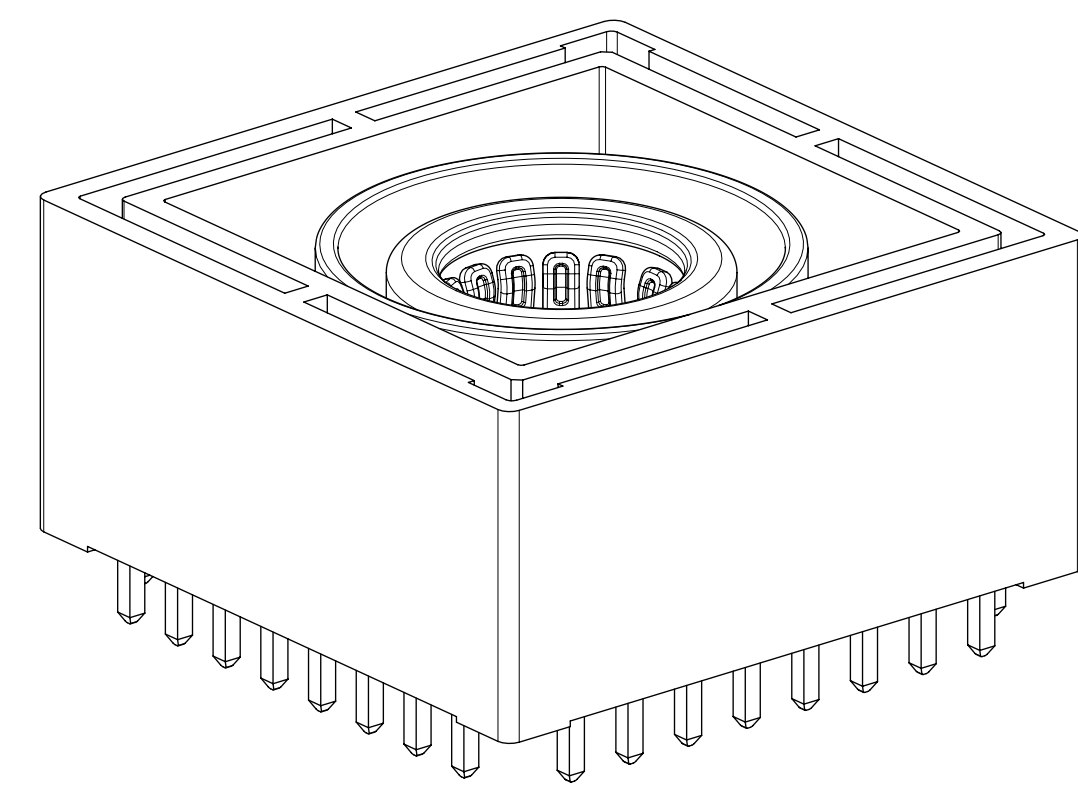
DOCUMENT NUMBER	DOC TYPE	DOC PART	REVISION
2166170000-SD	PSD	000	A1



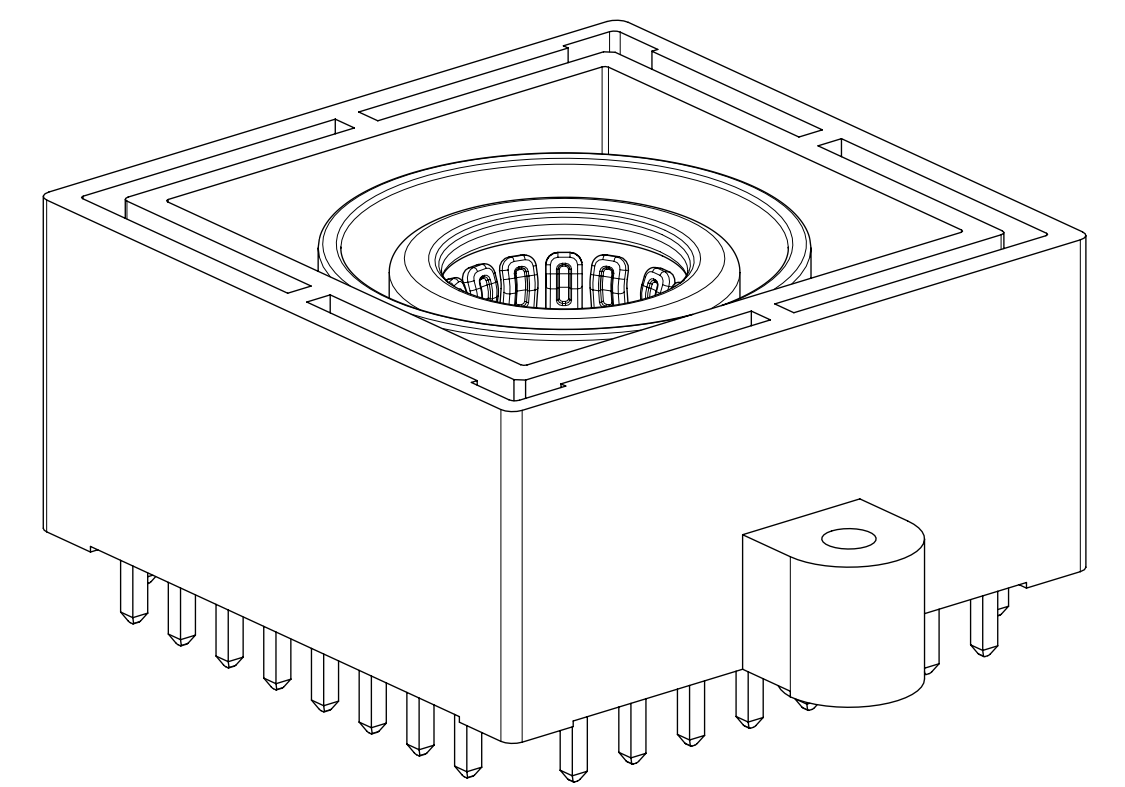
COMPLIANT-PIN ASSEMBLY
WITH PLANE HOUSING
(PN: 216617-0001)



COMPLIANT-PIN ASSEMBLY
WITH SCREW BOSS HOUSING
(PN: 216617-0005)
(SEE NOTE 13)



SOLDER-TAIL ASSEMBLY
WITH PLANE HOUSING
(PN: 216617-0002)
(SEE NOTE 13)



SOLDER-TAIL ASSEMBLY
WITH SCREW BOSS HOUSING
(PN: 216617-0006)
(SEE NOTE 13)

PART NUMBER	TERMINATION STYLE	SCREW BOSS	PCB THICKNESS	TOOLING STATUS
216617-0001	COMPLIANT PIN (FOR .062" MIN PCB)	NO	1.58MM MIN.	TOOLED
216617-0002	SOLDER TAIL (FOR .062" PCB)		1.58 MM	NOT TOOLED
216617-0003	SOLDER TAIL (FOR .093" PCB)		2.36 MM	
216617-0004	SOLDER TAIL (FOR .125" PCB)		3.18 MM	
216617-0005	COMPLIANT PIN (FOR .062" MIN PCB)	YES	1.58MM MIN.	
216617-0006	SOLDER TAIL (FOR .062" PCB)		1.58 MM	
216617-0007	SOLDER TAIL (FOR .093" PCB)		2.36 MM	
216617-0008	SOLDER TAIL (FOR .125" PCB)		3.18 MM	

THIS DRAWING CONTAINS INFORMATION THAT IS PROPRIETARY TO MOLEX ELECTRONIC TECHNOLOGIES, LLC AND SHOULD NOT BE USED WITHOUT WRITTEN PERMISSION

DIMENSION UNITS	SCALE	CURRENT REV DESC: UPDATED NOTE 6.	
mm	4:1		
GENERAL TOLERANCES (UNLESS SPECIFIED)			
ANGULAR TOL	± 3.0°		
4 PLACES	±	EC NO: 692327	
3 PLACES	±	DRWN: SCS02	2021/12/16
2 PLACES	± 0.38	CHK'D: JJONIAK	2022/01/20
1 PLACE	± 0.25	APPR: JJONIAK	2022/01/20
0 PLACES	±	INITIAL REVISION:	
DRAFT WHERE APPLICABLE MUST REMAIN WITHIN DIMENSIONS		DRWN: SCS02	2021/12/08
THIRD ANGLE PROJECTION		APPR: JJONIAK	2021/12/09
DRAWING		SERIES	MATERIAL NUMBER
D-SIZE		216617	SEE TABLE
CUSTOMER		GENERAL MARKET	
DOCUMENT NUMBER		DOC TYPE	DOC PART
2166170000-SD		PSD	000
REVISION		SHEET NUMBER	
A1		2 OF 2	