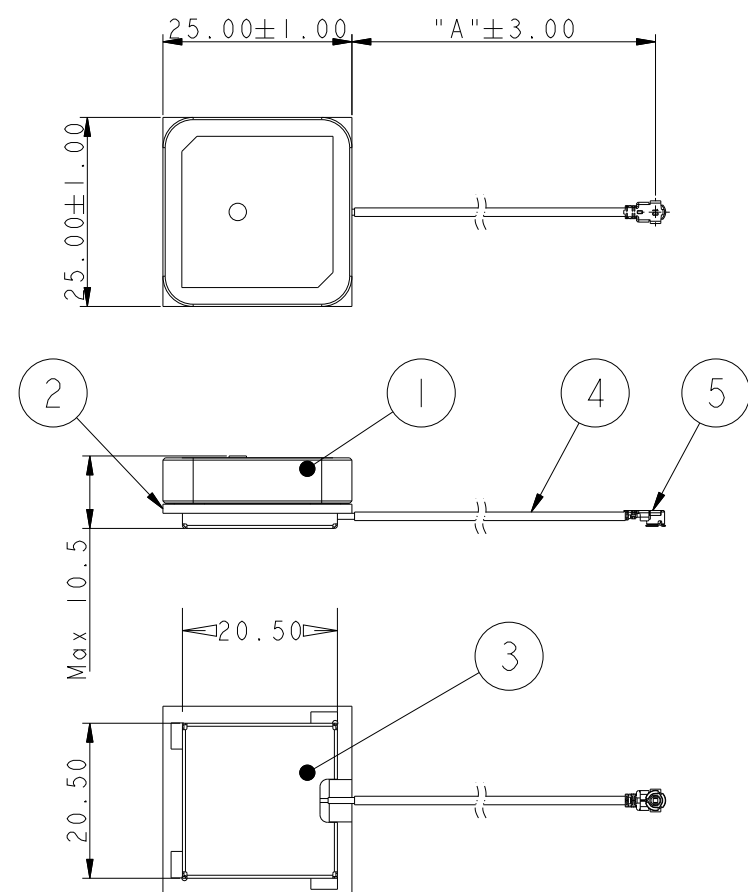


P	LTR	DESCRIPTION	DATE	DWN	APVD
	A	PRODUCTION RELEASED	12MAY2021	DW	JH
	A1	PN-2 ADDED	24NOV2021	DW	CY



NOTES

1. MATERIAL : REFER TO TABLE
2. CONSULT TE CONNECTIVITY DATA SHEET DS2108852.
3. PACKAGING : TRAY

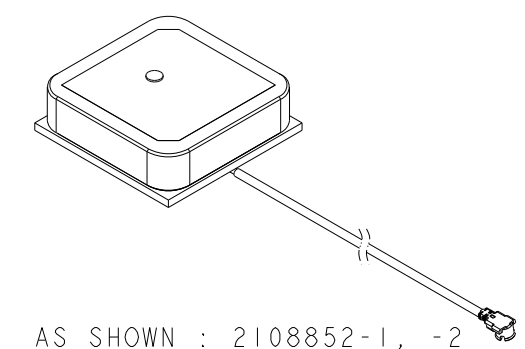


TABLE.

ITEMS	SPECIFICATION	Q'TY
① CERAMIC	SIZE : 25.0x25.0x6.0 mm	1
② PCB	FR4, SIZE : 25.0x25.0x1.2 mm	1
③ SHIELDING	SIZE : 20.5x20.5x2.0 mm	1
④ CABLE	OD 1.13 mm	1
⑤ CONNECTOR	MHF 1 (ECT PN : 818000089)	1

36.00	2108852-2
94.00	2108852-1
"A"(mm)	TE P/N

THIS DRAWING IS A CONTROLLED DOCUMENT.		DWN DW.PARK 17FEB2021																
DIMENSIONS: mm		CHK H.SHIN 17FEB2021																
TOLERANCES UNLESS OTHERWISE SPECIFIED:		APVD JH.KIM 17FEB2021																
		PRODUCT SPEC -	NAME Active ant., MHF, 100mm/40mm, L1+G1															
<table border="0"> <tr> <td>0 PLC</td> <td>±-</td> </tr> <tr> <td>1 PLC</td> <td>±-</td> </tr> <tr> <td>2 PLC</td> <td>±-</td> </tr> <tr> <td>3 PLC</td> <td>±-</td> </tr> <tr> <td>4 PLC</td> <td>±-</td> </tr> <tr> <td>ANGLES</td> <td>±-</td> </tr> </table>		0 PLC	±-	1 PLC	±-	2 PLC	±-	3 PLC	±-	4 PLC	±-	ANGLES	±-	APPLICATION SPEC -	SIZE A3	CAGE CODE 00779	DRAWING NO C-2108852	RESTRICTED TO -
0 PLC	±-																	
1 PLC	±-																	
2 PLC	±-																	
3 PLC	±-																	
4 PLC	±-																	
ANGLES	±-																	
MATERIAL -		FINISH -	WEIGHT -	SCALE 1:1		SHEET 1 OF 1	REV A1											
CUSTOMER DRAWING																		