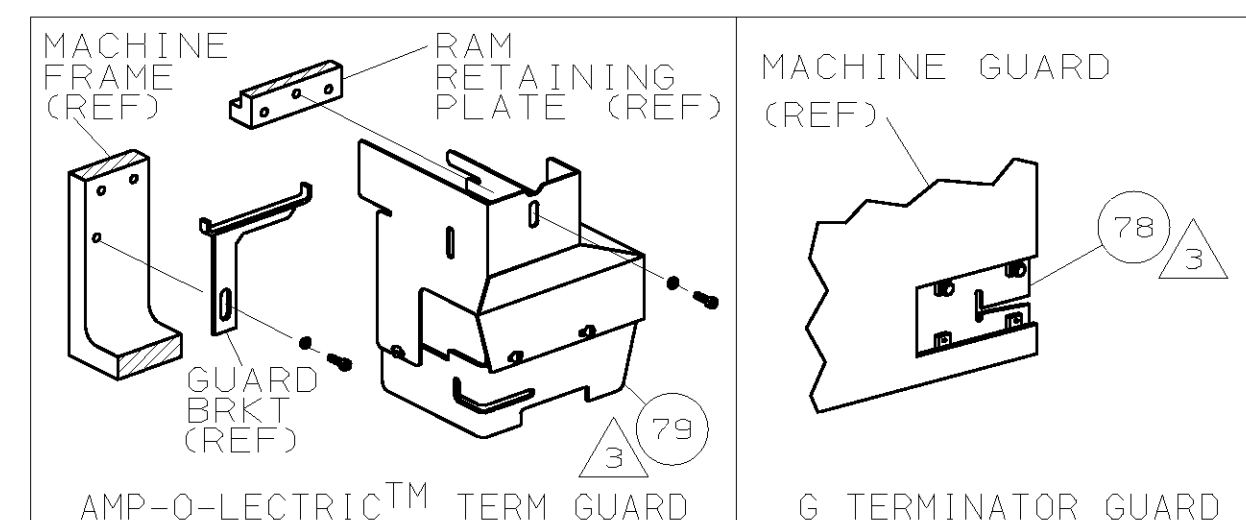
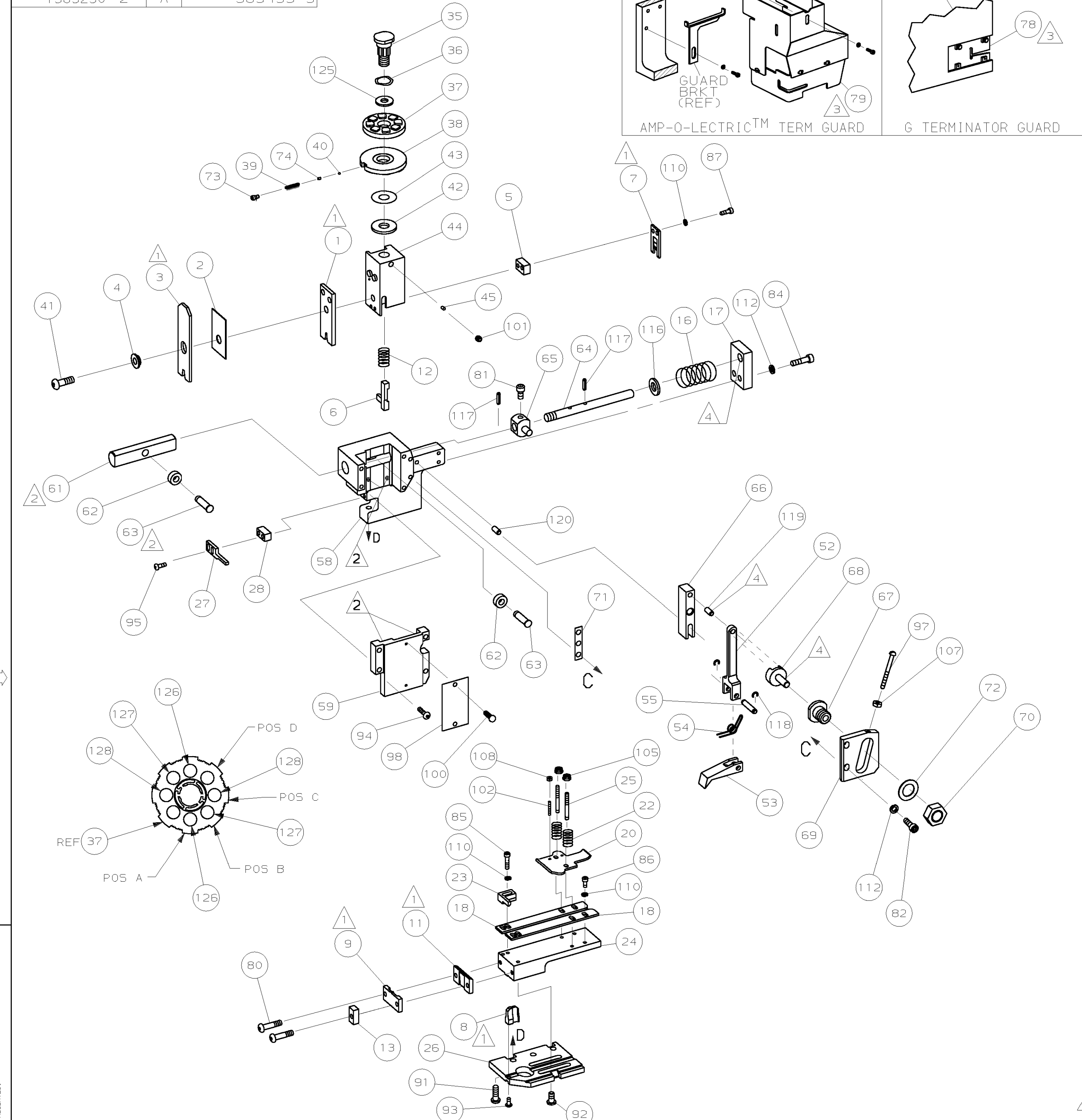


| PART NUMBER | REV | FIRST USED |
|-------------|-----|------------|
| 1385250-1 | A | 122500-1 |
| 1385250-2 | A | 565435-5 |



| TERMINAL NAME: .250 SERIES RECEPTACLE | | | |
|---------------------------------------|-----------|------------------------------|---------------------|
| 170304 170303 | PAD LTR | AMP TERMINAL AMP CRIMP SPECS | |
| | | CRIMP HEIGHT | WIRE SIZE |
| | A | .049 ±.002 [1.25 ±0.05mm] | 0.85mm ² |
| | B | .044 ±.002 [1.13 ±0.05mm] | 0.5mm ² |
| | C | .041 ±.002 [1.05 ±0.05mm] | 0.3mm ² |
| | D | NOT | USED |
| CRIMP | | SIZE | TYPE |
| WIRE | | .090 [2.29mm] | F |
| INSUL | | .120 [3.05mm] | F |
| | | | 1.5mm-2.6mm |
| WIRE STRIP LENGTH | TERM APPL | SPEC | FEED |
| .166-.183 | NONE | | .846 |
| | | APPL INSTRUCTION | SET UP GAGE |
| | | 408-8039 | 458638-1 |
| | | LAYOUT | |
| | | L2518 | |

| -1 | LEADMAKER & BENCH MODEL G | MECH POST FEED | |
|-----|---------------------------|----------------|--|
| -2 | BENCH MODEL K | MECH POST FEED | |
| REF | REF | - A | 22594-8 NUT, HEX |
| REF | REF | - B | 240628-1 PLATE, ADJ |
| REF | REF | - B | 240626-1 SHAFT, PIVOT |
| REF | REF | - B | 240633-1 BUSHING |
| REF | REF | - A | 455680-1 LEVER, INTERMEDIATE |
| REF | REF | - B | 240629-1 BLOCK, PIVOT |
| REF | REF | - A | 240632-2 SCR, ADJ |
| REF | REF | - B | 240659-3 PIN, CAM ROLLER |
| REF | REF | - B | 240658-1 CAM, ROLLER |
| REF | REF | - B | 454398-1 ROD, FEED |
| | | | 60 |
| REF | REF | - C | 454220-1 CAP, RAM |
| REF | REF | - D | 453736-1 HOUSING |
| | | | 57 |
| | | | 56 |
| REF | REF | - B | 240624-1 PIN, FEED FINGER |
| REF | REF | - B | 691499-1 SPRING, FEED FINGER |
| REF | REF | - B | 240635-1 FINGER, FEED |
| REF | REF | - B | 240634-1 LEVER, TERMINAL |
| | | | 51 |
| | | | 50 |
| | | | 49 |
| 1 | - | - B | 690501-3 CAM, POST FEED 1 1/8 ST |
| - | 1 | - B | 690501-4 CAM, POST-FEED 1 5/8 ST |
| | | | 47 |
| | | | 46 |
| 1 | 1 | - A | 690191-1 PLUG, NYLON |
| 1 | 1 | - C | 455674-1 RAM |
| 1 | 1 | - A | 690125-1 WASHER, LAMINATED |
| 1 | 1 | - A | 690124-1 WASHER, RAM |
| 1 | 1 | - A | 7-21002-9 BOLT, CRIMPER (5/16-24x1.00) |
| 1 | 1 | - A | 23241-6 BALL, STEEL |
| 1 | 1 | - A | 690170-1 SPRING, COMPRESSION |
| 1 | 1 | - C | 690142-1 DISC, INSULATION |
| 1 | 1 | - D | 354777-1 WIRE DISC, PLASTIC |
| 1 | 1 | - A | 22480-5 WASHER, SPRING |
| 1 | 1 | - B | 690212-1 POST, RAM |
| | | | 35 |
| | | | 34 |
| | | | 33 |
| 1 | 1 | - D | 458980-1 APPLICATOR, BASIC (SUB ASSY) |
| | | | 32 |
| | | | 31 |
| | | | 30 |
| | | | 29 |
| 1 | 1 | - B | 3-690451-2 SPACER, STRIPPER |
| 1 | 1 | - A | 240639-1 STRIPPER |
| REF | REF | - C | 455676-1 PLATE, BASE |
| | | | 26 |
| 2 | 2 | - A | 22354-8 DRAG, STUD |
| 1 | 1 | - B | 458803-2 PLATE, STRIP GUIDE |
| 1 | 1 | - C | 240825-1 PLATE, STRIP HOLD DOWN |
| 2 | 2 | - A | 4-22281-1 SPRING, DRAG |
| | | | 22 |
| | | | 21 |
| 1 | 1 | - A | 454177-1 DRAG, STOCK |
| | | | 20 |
| | | | 19 |
| 2 | 2 | - C | 454204-1 GUIDE, STRIP (FRONT) |
| REF | REF | - A | 454178-1 GUIDE, FEED ROD |
| REF | REF | - A | 4-22284-9 SPRING, FEED RETURN |
| | | | 16 |
| | | | 15 |
| | | | 14 |
| 1 | 1 | - C | 690481-2 SPACER, HOLD DOWN |
| 1 | 1 | - A | 23846-1 SPRING, HOLD DOWN |
| 1 | 1 | - B | 240644-5 PLATE, REAR SHEAR |
| | | | 11 |
| | | | 10 |
| 1 | 1 | - B | 690482-3 PLATE, FRONT SHEAR |
| 1 | 1 | - D | 8-461295-4 ANVIL |
| 1 | 1 | - B | 690474-3 BLADE, SLUG |
| | | | 7 |
| 1 | 1 | - D | 1-455892-0 HOLD DOWN, TERMINAL |
| | | | 6 |
| 1 | 1 | - C | 1-240641-4 SPACER, SLUG BLADE |
| 1 | 1 | - B | 238009-1 SPACER, BLOCK CRIMPER |
| | | | 4 |
| 1 | 1 | - C | 4-1213077-7 CRIMPER, INSULATION |
| | | | 3 |
| 1 | 1 | - B | 455888-8 SPACER, CRIMPER |
| | | | 2 |
| 1 | 1 | - C | 3-456404-1 CRIMPER, WIRE |
| | | | 1 |



| QTY | REF | REV | U/M | DWG SIZE | PART NO | DESCRIPTION | ITEM NO |
|-----|-----|-----|-----|----------|------------|----------------------------------|---------|
| 2 | 2 | - | C | | 6-354779-0 | PIN, WIRE DISC (.3290)C | 129 |
| 2 | 2 | - | C | | 5-354779-1 | PIN, WIRE DISC (.3245)B | 128 |
| 2 | 2 | - | C | | 3-354779-9 | PIN, WIRE DISC (.3185)A | 127 |
| 1 | 1 | - | A | | 986950-1 | WASHER, FLAT PRECISION | 125 |
| 1 | 1 | - | A | | 217238-1 | GENERAL INSTRUCTION PACKAGE | 124 |
| 1 | 1 | - | - | | 4088039 | EF APPL INST 408-8039 | 123 |
| | | | | | | | 122 |
| | | | | | | | 121 |
| REF | REF | - | A | | 1-21030-7 | PIN, DOWEL (Ø.187x1.50)H56 | 120 |
| REF | REF | - | A | | 1-21030-1 | PIN, DOWEL (Ø.187x.50)LEVER | 119 |
| REF | REF | - | A | | 21045-3 | RING, RET "C" (Ø.187)FD PIN | 118 |
| REF | REF | - | A | | 5-21028-1 | PIN, STD SPRING (Ø.12)FD ADJ ROD | 117 |
| REF | REF | - | A | | 21899-4 | WASHER, FLAT (Ø5/16) SCR ADJ | 116 |
| | | | | | | | 115 |
| | | | | | | | 114 |
| | | | | | | | 113 |
| REF | REF | - | A | | 21024-5 | WASHER, LOCK (NO.10)FD ROD GDE | 112 |
| | | | | | | | 111 |
| 7 | 7 | - | A | | 21024-4 | WASHER, LOCK (NO.8)SHEAR BL | 110 |
| | | | | | | | 109 |
| 2 | 2 | - | A | | 21018-4 | NUT, HEX (4-40)DRAG | 108 |
| REF | REF | - | A | | 21018-5 | NUT, HEX (6-32)FD ADJ PL | 107 |
| | | | | | | | 106 |
| 2 | 2 | - | A | | 21022-2 | NUT, HEX SL (8-32)DRAG STUD | 105 |
| | | | | | | | 104 |
| | | | | | | | 103 |
| 2 | 2 | - | A | | 2-21006-6 | SCR, SKT SET (4-40x.62)DRAG | 102 |
| 1 | 1 | - | A | | 21009-2 | SCR, SKT SET (1/4-20x.25)RAM | 101 |
| 2 | 2 | - | A | | 21017-2 | SCR, DRIVE (#2x.19) ID PLATE | 100 |
| 1 | 1 | - | A | | 1-21002-7 | SCR, BHC (6-32x.38)CAM | 99 |
| 1 | 1 | - | B | | 461264-1 | PLATE, IDENTIFICATION | 98 |
| REF | REF | - | A | | 6-23715-5 | SCR, PAN HD (6-32x1.50)FEED ADJ | 97 |
| | | | | | | | 96 |
| 2 | 2 | - | A | | 2-21002-2 | SCR, BHC (8-32x.50)STRIPPER | 95 |
| REF | REF | - | A | | 2-21002-9 | SCR, BHC (10-32x.75)H56 CAP | 94 |
| 1 | 1 | - | A | | 22733-8 | SCR, BHC (8-32x.38 LW)ANVIL | 93 |
| 4 | 4 | - | A | | 3-21002-3 | SCR, BHC (1/4-20x.50)ST 6D PL | 92 |
| REF | REF | - | A | | 2-22733-8 | SCR, BHC (1/4-20x.62)BASE PL | 91 |
| | | | | | | | 90 |
| | | | | | | | 89 |
| | | | | | | | 88 |
| 2 | 2 | - | A | | 2-21000-7 | SCR, SHC (8-32x.500)SLUG BLADE | 87 |
| 3 | 3 | - | A | | .25 | SCR, SHC (8-32x)STRIP GUIDE | 86 |
| 2 | 2 | - | A | | .25 | SCR, SHC (8-32x.62)R STRIP GUIDE | 85 |
| REF | REF | - | A | | 3-21000-7 | SCR, SHC (10-32x.75)FEED ROD GDE | 84 |
| | | | | | | | 83 |
| REF | REF | - | A | | 3-21000-6 | SCR, SHC (10-32x.62)FEED ADJ PL | 82 |
| REF | REF | - | A | | 3-21000-4 | SCR, SHC (10-32x.38)PIVOT BLOCK | 81 |
| 2 | 2 | - | A | | 3-21002-0 | SCR, BHC (10-32x.88)SHEAR PL | 80 |
| REF | - | - | A | | 455745-1 | GUARD, WINDOW | 79 |
| - | REF | - | A | | 679532-1 | INSERT, GUARD | 78 |
| | | | | | | | 77 |
| | | | | | | | 76 |
| | | | | | | | 75 |
| 1 | 1 | - | A | | 690603-1 | SPRING, ASSIST | 74 |
| 1 | 1 | - | A | | 23030-1 | SCR, SKT CAP (6-32x.25)CP DSC | 73 |
| REF | REF | - | A | | 458109-1 | WASHER, FLAT (SPECIAL) | 72 |
| REF | REF | - | A | | 690517-1 | SPACER | 71 |
| | | | | | | | 70 |
| | | | | | | | 69 |
| | | | | | | | 68 |
| | | | | | | | 67 |
| | | | | | | | 66 |
| | | | | | | | 65 |
| | | | | | | | 64 |
| | | | | | | | 63 |
| | | | | | | | 62 |
| | | | | | | | 61 |
| | | | | | | | 60 |
| | | | | | | | 59 |
| | | | | | | | 58 |
| | | | | | | | 57 |
| | | | | | | | 56 |
| | | | | | | | 55 |
| | | | | | | | 54 |
| | | | | | | | 53 |
| | | | | | | | 52 |
| | | | | | | | 51 |
| | | | | | | | 50 |
| | | | | | | | 49 |
| | | | | | | | 48 |
| | | | | | | | 47 |
| | | | | | | | 46 |
| | | | | | | | 45 |
| | | | | | | | 44 |
| | | | | | | | 43 |
| | | | | | | | 42 |
| | | | | | | | 41 |
| | | | | | | | 40 |
| | | | | | | | 39 |
| | | | | | | | 38 |
| | | | | | | | 37 |
| | | | | | | | 36 |
| | | | | | | | 35 |
| | | | | | | | 34 |
| | | | | | | | 33 |
| | | | | | | | 32 |
| | | | | | | | 31 |
| | | | | | | | 30 |
| | | | | | | | 29 |
| | | | | | | | 28 |
| | | | | | | | 27 |
| | | | | | | | 26 |
| | | | | | | | 25 |
| | | | | | | | 24 |
| | | | | | | | 23 |
| | | | | | | | 22 |
| | | | | | | | 21 |
| | | | | | | | 20 |
| | | | | | | | 19 |
| | | | | | | | 18 |
| | | | | | | | 17 |
| | | | | | | | 16 |
| | | | | | | | 15 |
| | | | | | | | 14 |
| | | | | | | | 13 |
| | | | | | | | 12 |
| | | | | | | | 11 |
| | | | | | | | 10 |
| | | | | | | | 9 |
| | | | | | | | 8 |
| | | | | | | | 7 |
| | | | | | | | 6 |
| | | | | | | | 5 |