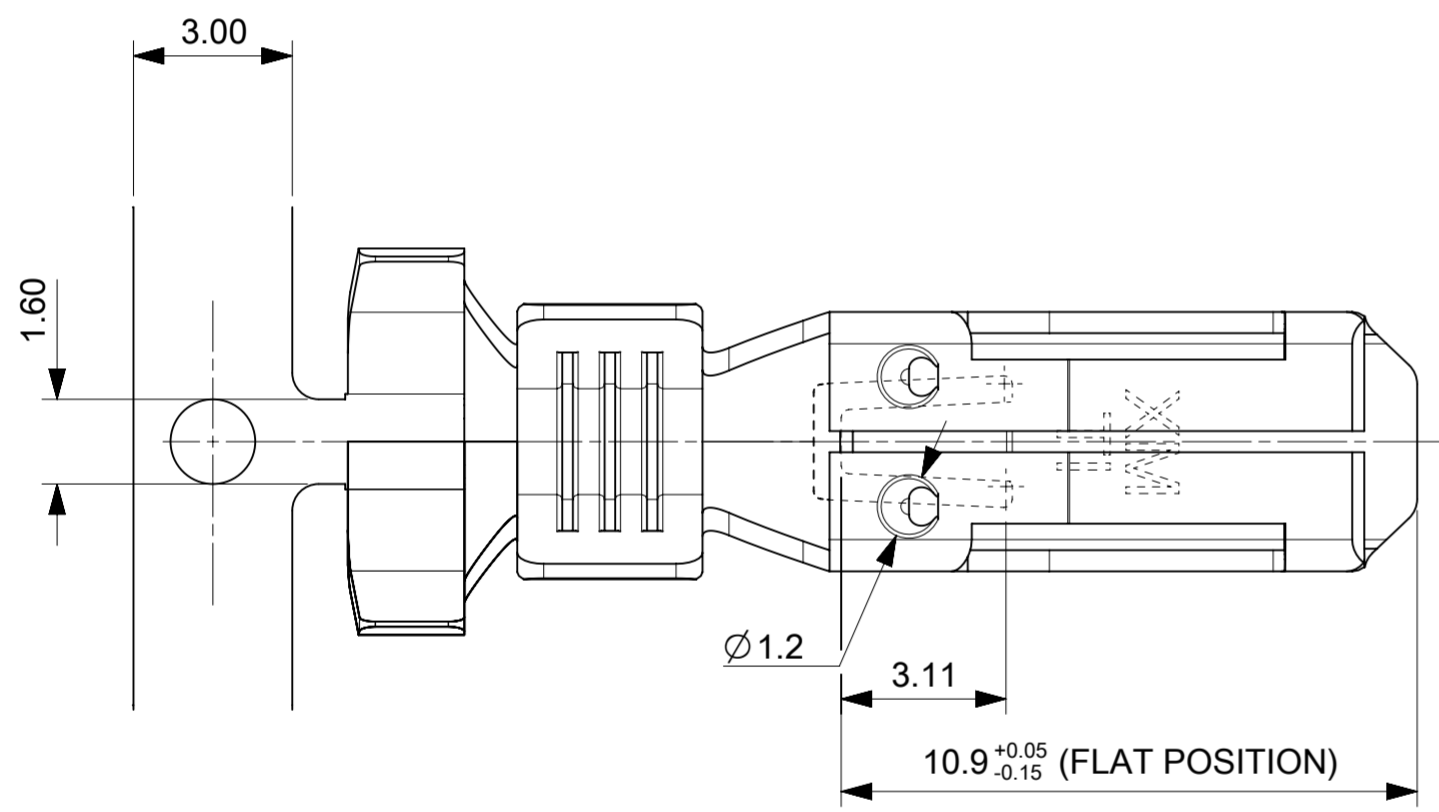


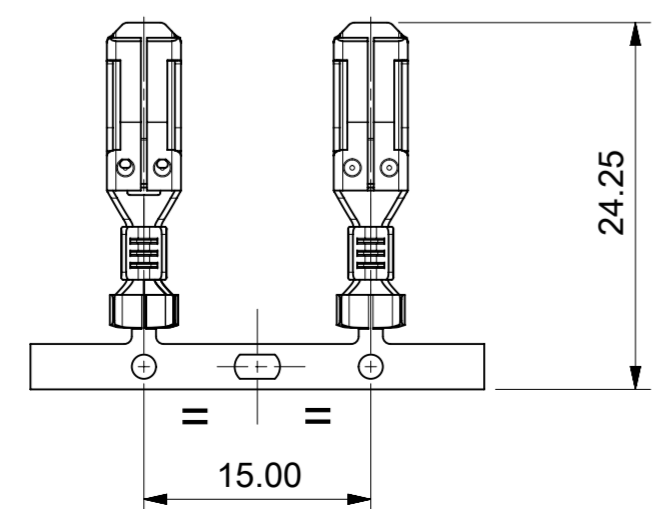
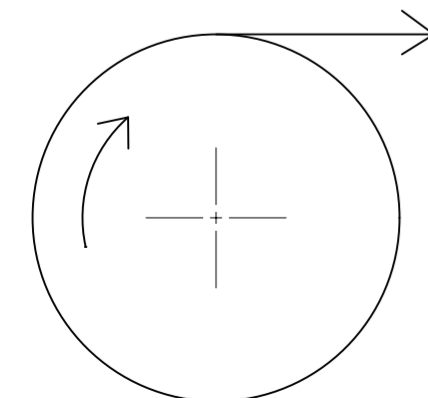
SECTION A-A

SECTION B-B



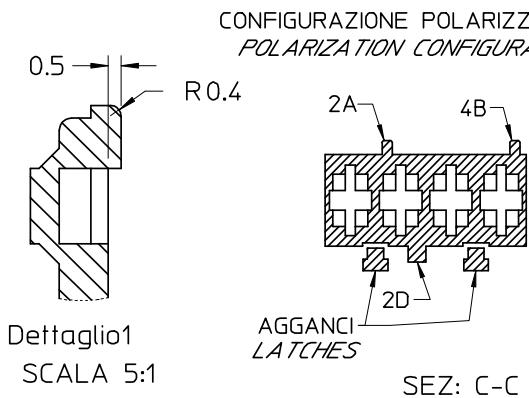
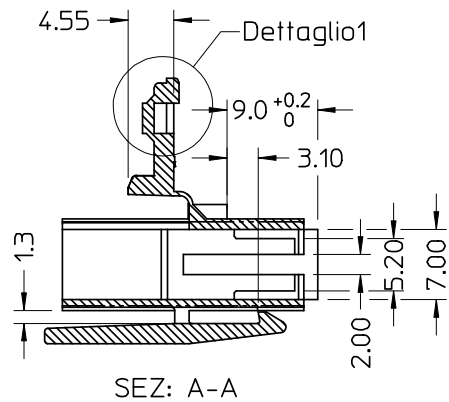
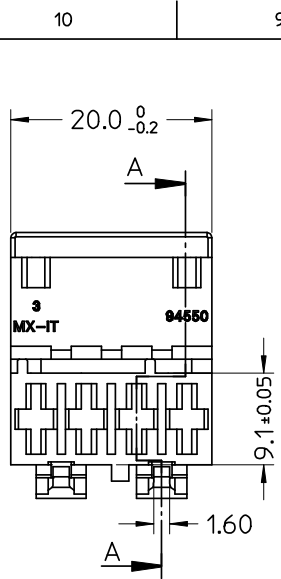
P/N	PLATING	MATERIAL	WIRE RANGE	INS. RANGE	DIMENSION				
					A	B	C	D	E
94518-0100	PLAIN	BRASS	0.5 - 1.0	2.2 - 2.8	4.5	4.5	3.0	3.0	/
94518-0101	TIN								
94518-0200	PLAIN	BRASS	1.0 - 2.5 FOR SINGLE DOUBLE CABLES	2.6 - 3.8	5.5	5.5	4.1	4.3	/
94518-0201	TIN								
94518-0400	PLAIN	BRASS	1.5 - 3.0 FOR DOUBLE CABLES	-	7.3	5.1	5.2	4.0	1.8
94518-0401	TIN								
94518-0300	PLAIN	BRASS	4.0	3.4 - 3.7	5.5	5.5	5.0	5.1	/
94518-0301	TIN								

DIRECTION OF UNREELING



PACKAGING: REFER 945180001-PK  
 STD. DESCRIPTION: HNF TERM (material-plating-wire gauge)

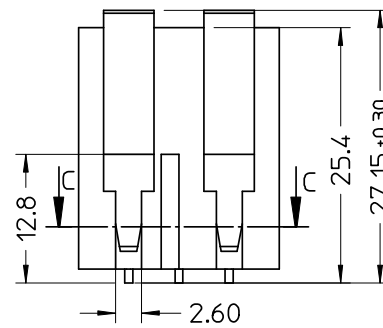
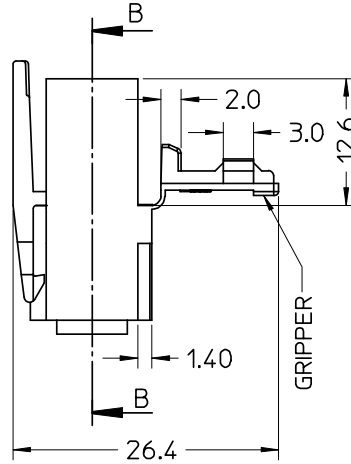
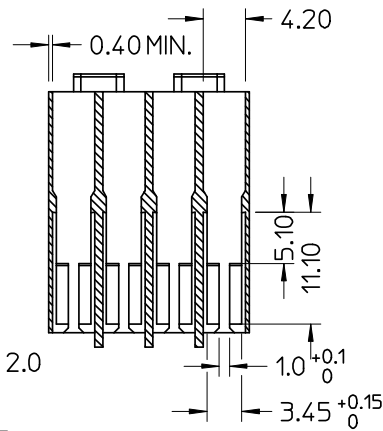
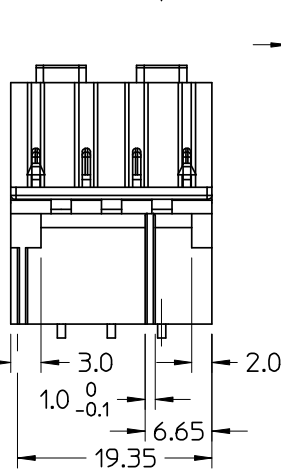
FUNCTIONAL SYMBOLS	THIS DRAWING CONTAINS INFORMATION THAT IS PROPRIETARY TO MOLEX ELECTRONIC TECHNOLOGIES, LLC AND SHOULD NOT BE USED WITHOUT WRITTEN PERMISSION																
	DIMENSION UNITS	SCALE	CURRENT REV DESC: REMOVED PN: 94518-0120,-0121,-0220,-0221														
$F_A = 0$	mm	7:1	<b>molex</b> RAST 5 CRIMP TERMINAL PRODUCT CUSTOMER DRAWING														
$F_C = 0$	GENERAL TOLERANCES (UNLESS SPECIFIED)																
$F_P = 0$	ANGULAR TOL ± 2.0°		EC NO: 657968 DRWN: SCV CHK'D: MBN02 APPR: SDEVITT INITIAL REVISION: DRWN: AKABADI APPR: SDEVITT														
DIVISIONAL SYMBOLS	4 PLACES ±	3 PLACES ±	2 PLACES ± 0.1	1 PLACE ± 0.2	0 PLACES ±	DRAFT WHERE APPLICABLE MUST REMAIN WITHIN DIMENSIONS		THIRD ANGLE PROJECTION	DRAWING	SERIES	MATERIAL NUMBER	CUSTOMER	DOCUMENT NUMBER	DOC TYPE	DOC PART	REVISION	
									A2-SIZE	94518	SEE TABLE	GENERAL MARKET	945180001	PSD	000	A1	
																	SHEET NUMBER
																	1 OF 1



NOTE:  
 - USATO CON TERMINALE 94518-0XXX E 94549-0XXX  
 - SPECIFICA DI RIFERIMENTO PER IL CONNETTORE PS-94550-001  
 - PER CARATTERISTICHE DI CRIMPATURA RIF. SD-94518-005 E SD-94549-001  
 - FORZA DI DISACCOPIAMENTO CONNETTORE (TRAZIONANDO DAI CAVI SENZA AZIONARE L'AGGANCI): 60 N MIN.  
 - SPESSORE MINIMO PARETI CONNETTORE 0.40 mm.

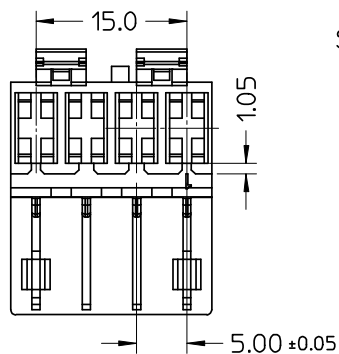
NOTE:  
 - USED WITH TERMINALS 94518-0XXX AND 94549-0XXX  
 - REFER TO PS-94550-001 FOR CONNECTOR SPECIFICATION  
 - REFER TO SD-94518-005 AND SD-94549-001 FOR CRIMPING CHARACTERISTICS  
 - CONNECTOR DISENGAGEMENT FORCE (PULLING BY THE WIRES, WITHOUT ACTUATING THE LATCH): 60 N MIN.  
 - MINIMUM CONNECTOR WALL THICKNESS 0.40 mm.

CONFEZIONE: Box da 1800 Pz.  
 PACKAGING: 1800 pcs in carton box

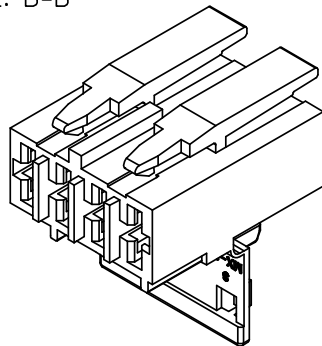


\* AGENCY RECOGNIZATIONS  
 CSA (file LR19980)  
 UL (file E-29179)

P/N	MATERIAL/COLOR
*94550-9104	NYLON 6.6 V0 NATURAL
*94550-9194	NYLON 6.6 V0 GREY
94550-4104	NYLON 6.6 GWT 750 °C sec.IEC 60335-1 TEST METHOD IEC 60695-2-11 NATURAL



SEZ: B-B



SPQ =1800 Std. Descr: HSG W/SEC LOCK AND LATCH 4CKT \_\_\_\_\_ COLOR

EC NO: Z2008-0115 DRWN: FGOTTARD 2008/01/25 CHKD: LSANTIES 2008/01/25 APPR: GZUIN 2008/01/29	QUALITY SYMBOLS	GENERAL TOLERANCES (UNLESS SPECIFIED)	SCALE 2:1	DESIGN UNITS METRIC	FIRST ANGLE PROJECTION	REVISE ON CAD ONLY
	▲ +0 ▽ -0	mm	INCH	DIMENSION STYLE MM ONLY	TITLE HSG 4 CKT WITH SEC. LOCK AND EXTERNAL LATCH	
		4 PLACES ± --- ± ---	3 PLACES ± --- ± ---	DRAWN BY FGOTTARD DATE 2002/06/27		
	A4	DESCRIPTION	ANGULAR ± 2 °	CHECKED BY MTESTAGU DATE 2002/06/27	MOLEX INCORPORATED	
REV		DRAFT WHERE APPLICABLE	APPROVED BY GZUIN DATE 2002/06/27	MATERIAL NO. SEE TABLE	DOCUMENT NO. SD-94550-008	SHEET NO. 1 OF 1

THIS DRAWING CONTAINS INFORMATION THAT IS PROPRIETARY TO MOLEX INCORPORATED AND SHOULD NOT BE USED WITHOUT WRITTEN PERMISSION