



Datasheet

8 Ohm 4x6 Inch Coaxial Speaker with Foam Gasket

Part No:
SPKA.46.8.B

Description:

4x6" Speaker Foam Gasket 8 Ohm with Delphi 12052832 connector

Features:

8 Ohm Impedance
Foam Gasket
Rated Power 25W
High Sensitivity
Distortion Free
Dimensions: 158x107x56mm
Connector: Delphi 12052832
RoHS & Reach Compliant

1.	Introduction	3
2.	Specifications	4
3.	Speaker Characteristics	5
4.	Mechanical Drawing	6
5.	Packaging	7
<hr/>		
	Changelog	8

Taoglas makes no warranties based on the accuracy or completeness of the contents of this document and reserves the right to make changes to specifications and product descriptions at any time without notice. Taoglas reserves all rights to this document and the information contained herein.

Reproduction, use or disclosure to third parties without express permission is strictly prohibited.

Copyright © Taoglas Ltd.



1. Introduction



Designed for the rugged environment of heavy-duty trucks, Taoglas speakers deliver long lasting pure and true sound. Our 8-Ohm 4x6-inch Coaxial Speaker, full range high sensitivity speaker series provide distortion free audio, high fidelity, high power handling (25W RMS) and is a low-cost solution for heavy-duty applications such as Transportation, Truck and RV applications. It is also primed for IoT applications such as Smart Home and Agriculture in which the use of speakers is becoming more commonplace. With this in mind Taoglas has decided to add speakers to our extensive product catalogue in order to make the customers journey easier, as now we can provide a high quality antenna solution and a high quality speaker solution from one trusted company.

Taoglas' slim design, full range speakers are easy to install. Multiple mounting hole patterns provide flexibility for attaching to a vehicle door panel or integrating into a home Hi-Fi speaker cabinet. Installation requires just two cables to be routed.

The SPKA.46.8.B unlike the SPKA.46.8.A model comes with a spongy foam gasket making it the perfect solution for installation location where rattle noise through vibration can be problematic.

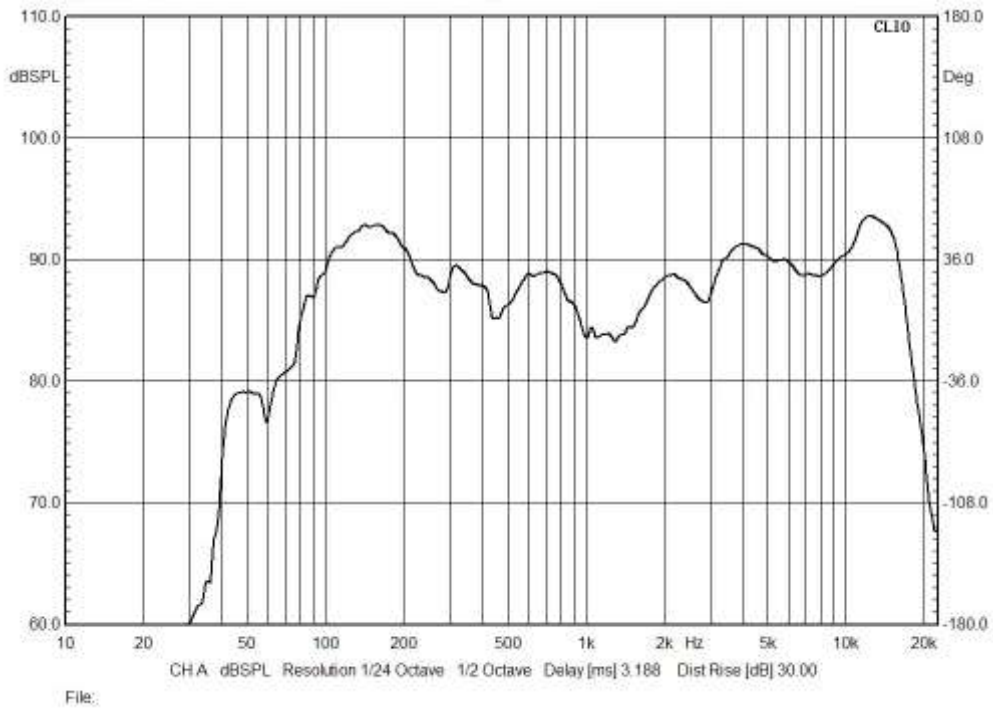
Contact your local Taoglas customer service team for more information or installation guidelines.

2. Specifications

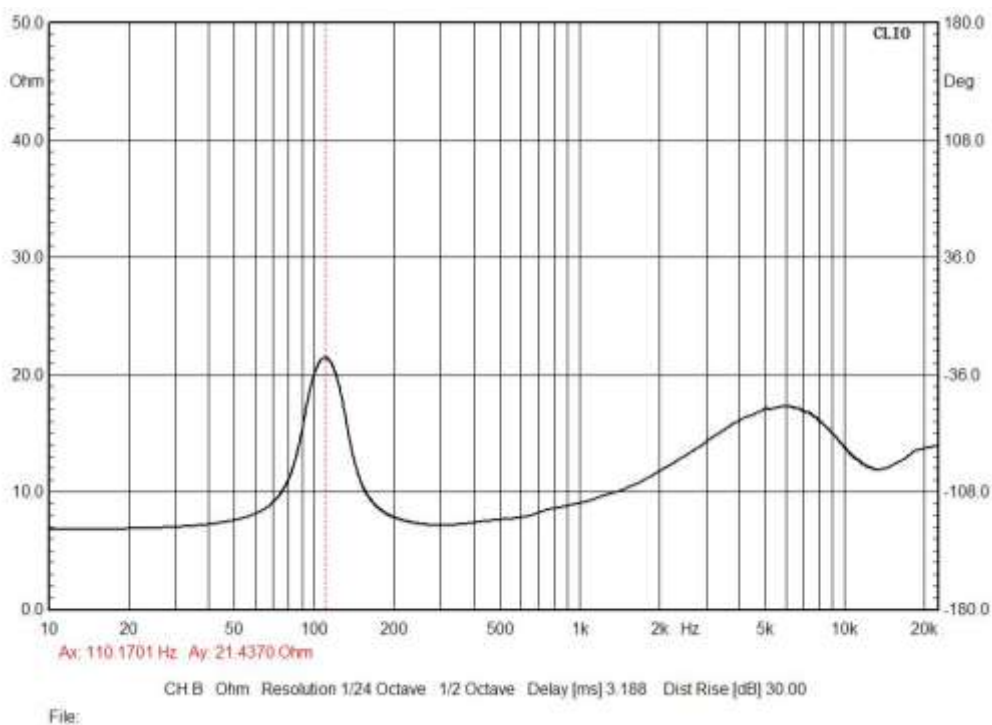
Electrical	
Impedance	8Ω
Rated Power	25W
Maximum Input Power	50W
Mechanical	
Dimensions	158x107x56mm
Weight	0.6Kg
Connector	Delphi 12052832
Environmental	
Temperature Range	-40°C to 85°C
Humidity	Non-condensing 65°C 95% RH

3. Speaker Characteristics

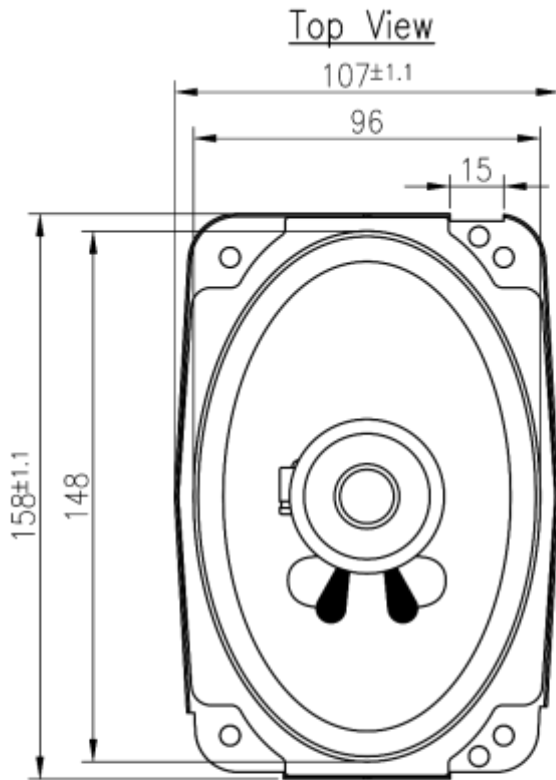
3.1 SPL



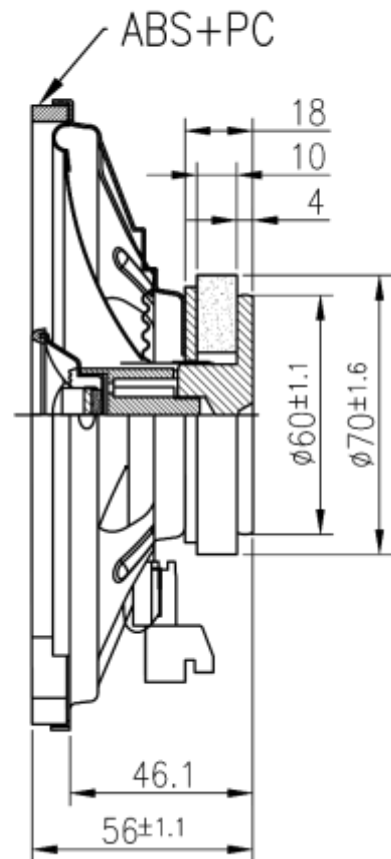
3.2 Impedance



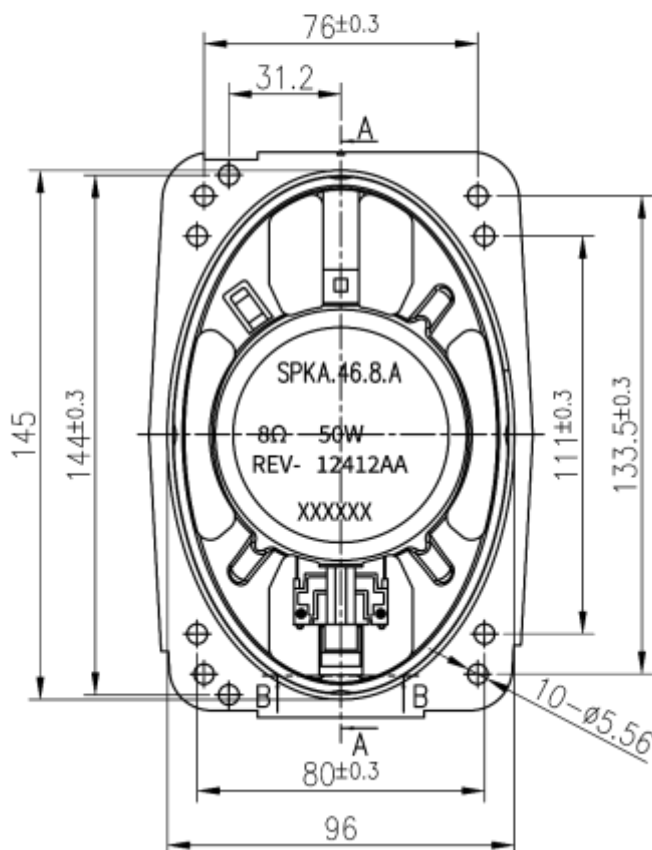
4. Mechanical Drawing (Units: mm)



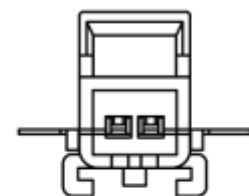
Sectional A-A
Side View



Bottom View

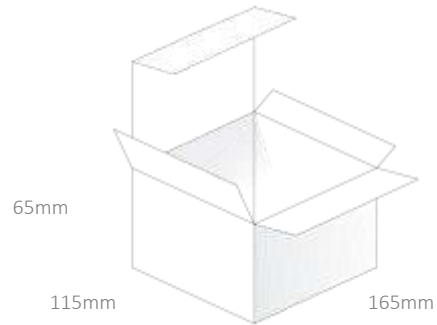


Sectional B-B
Scale: 1:2

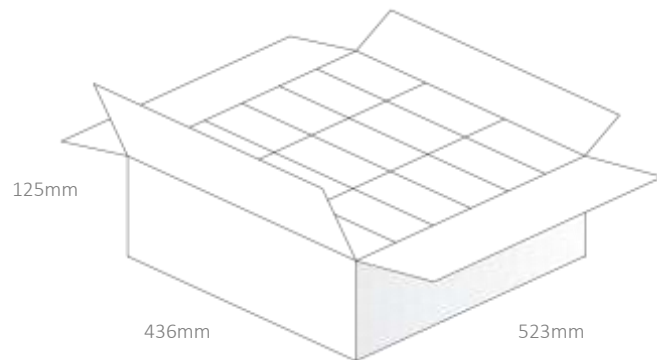


5. Packaging

1pcs SPKA.46.8.B per Box
 Dimensions – 165x115x65mm
 Weight – 0.6Kg



18pcs SPKA.46.8.B per carton
 Dimensions – 523x436x125mm
 Weight – 12.5Kg



Changelog for the datasheet

SPE-19-8-042 – SPKA.46.8.B

Revision: B (Current Version)

Date:	2021-07-13
Changes:	Updated Mechanical Drawing
Changes Made by:	Gary West

Previous Revisions

Revision: A (First Release)

Date:	2019-05-02
Changes:	
Changes Made by:	Jack Conroy



www.taoglas.com

