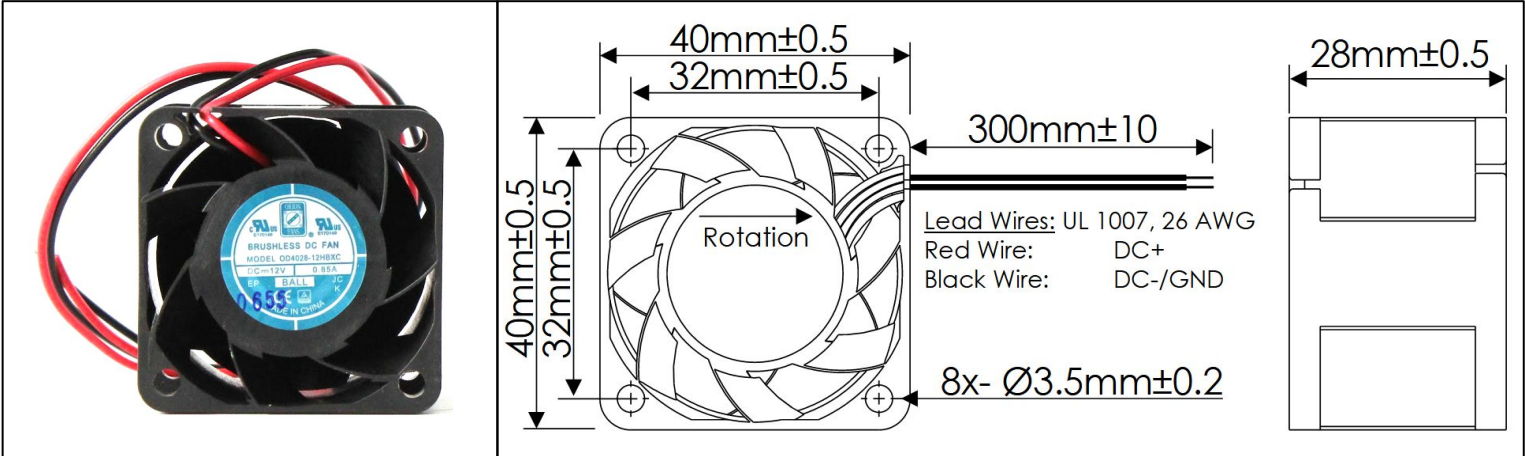


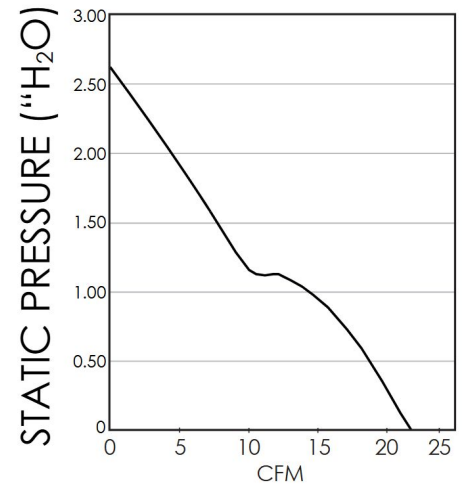
# OD4028 XC Series



DC Fans - 12, 24V  
40mm x 28mm (1.58" x 1.10")



Frame & Impeller	PBT, UL94 V-0 Plastic	<u>Operating Temperature</u> -10°C ~ +70°C
Connection	2x Lead Wires, 26 AWG	<u>Storage Temperature</u> -40°C ~ +70°C
Motor	Brushless DC, Auto Cutoff, Auto Restart, Electronically Protected, Polarity Protected	<u>Life Expectancy</u> 70,000 Hours (L10 at 40°C)
Bearing System	Ball Bearing	<u>Available Options</u> PWM Speed Control Input Tachometer Output Alarm Output 5 Volt DC Available
Dielectric Strength	500VDC/min, <1mA	Weight: 0.09 lbs
Insulation Resistance	≥10M Ohm @ 500 VDC	

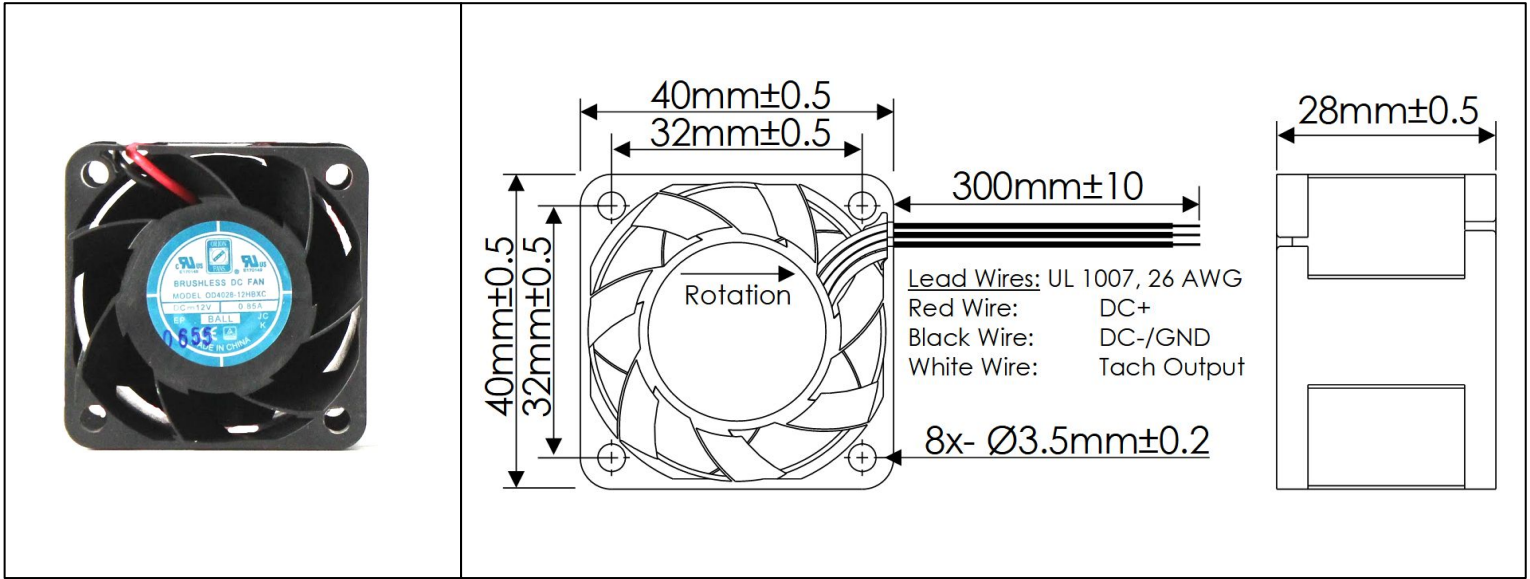


Part Number	Rated Voltage (Volts DC)	Voltage Range (Volts DC)	Input Power (Watts)	Rated Current (Amps)	Rated Speed (RPM)	Max Airflow (CFM)	Noise Level (dBA)	Max Static Pressure ("H2O)
OD4028-12HBXC	12	10 ~ 13.8	10.2	0.85	20000	22	61	2.63
OD4028-24HBXC	24	18 ~ 26.4	10.8	0.45	20000	22	61	2.63

# OD4028 XC Series with Tachometer

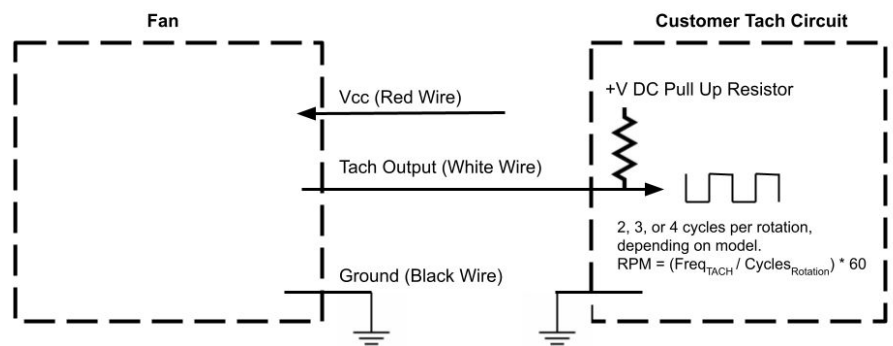


DC Fan - 12V  
40mm x 28mm (1.58" x 1.10")



Frame	PBT, UL94 V-0 Plastic	<u>Operating Temperature</u> -10°C ~ +70°C	
Impeller	PBT, UL94 V-0 Plastic	<u>Storage Temperature</u> -40°C ~ +80°C	
Connection	3x Wire Leads, 26 AWG	<u>Life Expectancy</u> 70,000 Hours (L10 at 40°C)	
Motor	Brushless DC, Auto Cutoff, Auto Restart, Electronically Protected, Polarity Protected	<u>Installed Options</u> Open Collector Tach Output	
Bearing System	Ball Bearings	<u>Available Options</u> 5V TTL Tachometer Output	
Dielectric Strength	500VDC/min, <1mA	Weight: 0.09 lbs	
Insulation Resistance	≥10M Ohm @ 500 VDC		

Part Number	OD4028-12HBXC01A
Rated Voltage (Volts DC)	12
Voltage Range (Volts DC)	10 ~ 13.2
Rated Power (Watts)	10.2
Rated Current (Amps)	0.85
Rated Speed (RPM)	20,000
Max Airflow (CFM)	22
Noise Level (dBA)	61
Max Static Pressure ("H <sub>2</sub> O)	2.63

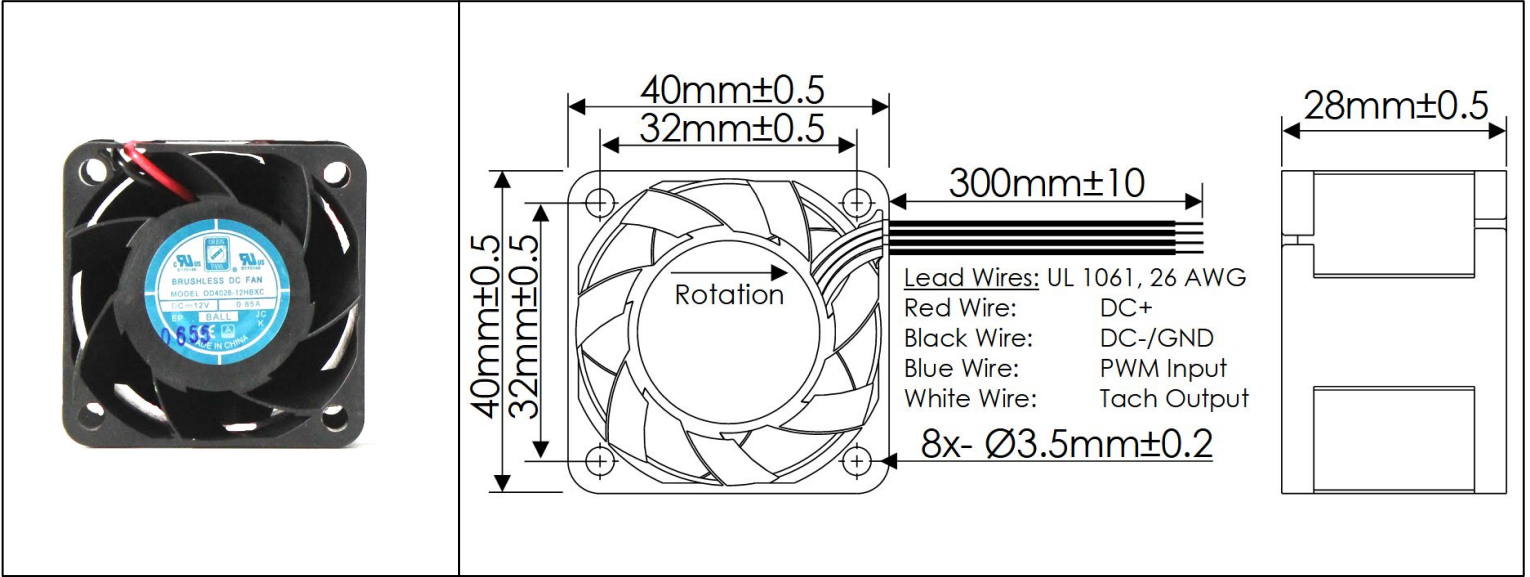


Tach Max Pullup Voltage: 15V  
Tach Max Sink Current: 5mA  
Tach Cycles per Rotation: 2

# OD4028 XC Series with PWM and Tachometer

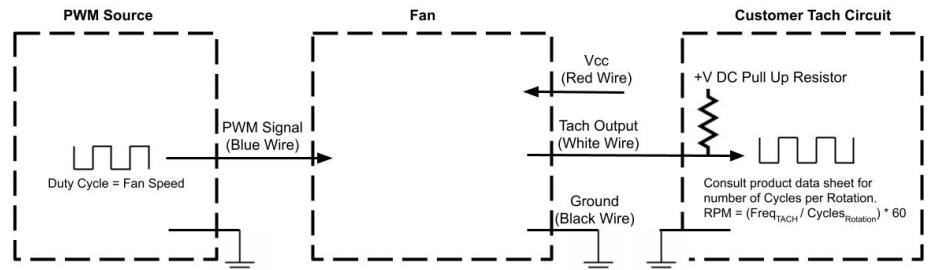


DC Fan - 12V  
40mm x 28mm (1.58" x 1.10")



Frame	PBT, UL94 V-0 Plastic	<p><b>Operating Temperature</b> -10°C ~ +70°C</p> <p><b>Storage Temperature</b> -40°C ~ +80°C</p> <p><b>Life Expectancy</b> 70,000 Hours (L10 at 40°C)</p> <p><b>Installed Options</b> PWM Speed Control Input Open Collector Tach Output</p> <p>Weight: 0.09 lbs</p>	
Impeller	PBT, UL94 V-0 Plastic		
Connection	4x Wire Leads, 26 AWG		
Motor	Brushless DC, Auto Cutoff, Auto Restart, Electronically Protected, Polarity Protected		
Bearing System	Ball Bearings		
Dielectric Strength	500VDC/min, <1mA		
Insulation Resistance	≥10M Ohm @ 500 VDC		

Part Number	OD4028-12HBXC10A
Rated Voltage (Volts DC)	12
Voltage Range (Volts DC)	10 ~ 13.2
Rated Power (Watts)	10.2
Rated Current (Amps)	0.85
Rated Speed (RPM)	20,000
Max Airflow (CFM)	22
Noise Level (dBA)	61
Max Static Pressure ("H <sub>2</sub> O)	2.63



Tach Max Pullup Voltage: 15V DC  
Tach Max Sink Current: 5mA  
Tach Cycles per Rotation: 2  
PWM Max High Voltage: 5V  
PWM Max Sink Current: 5mA  
PWM Frequency Range: 18KHz-30KHz  
PWM Typical Frequency: 25KHz  
RPM at 0% Duty Cycle: 0 RPM  
RPM will be full speed if PWM input is disconnected.