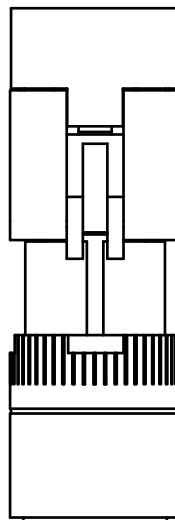
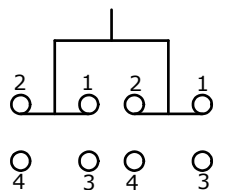
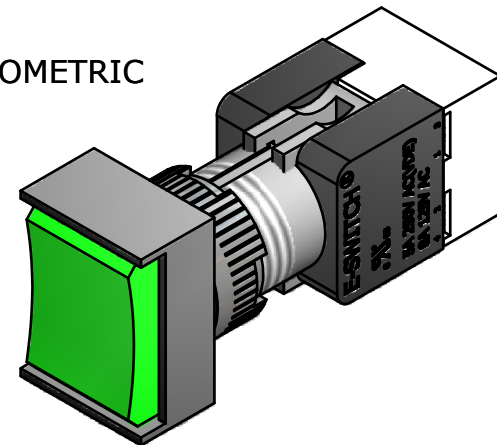


PANEL MOUNTING SPECIFICATIONS



ISOMETRIC

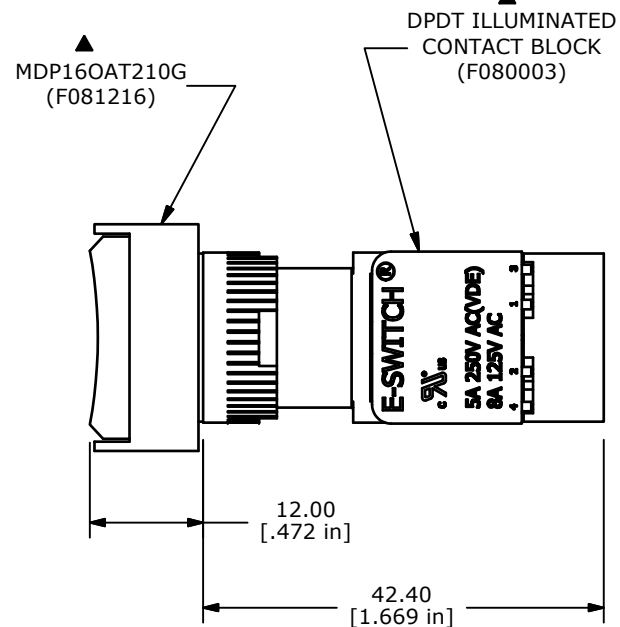
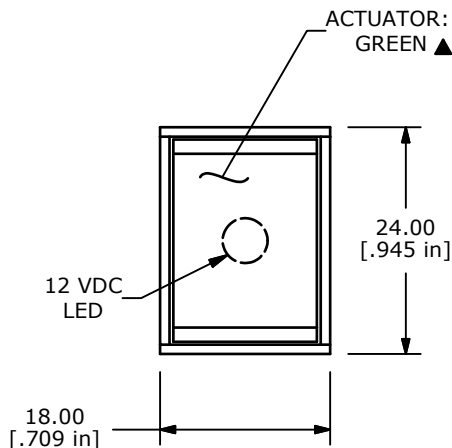




A — ⊗ — B (+)

CIRCUIT: DPDT ILLUMINATED

NOTE:

1. ALL DIMENSIONS IN MM [INCH]
2. GENERAL TOLERANCE: X.X=±0.4
X.XX=±0.25
3. TERMINAL NUMBERS FOR REF ONLY
- ▲ 4. RATING: UL: 5A @ 250VAC; 8A @125VAC;
VDE: 5A@ 250VAC
- ▲ 5. INSULATION RESISTANCE: 50 Mega-OHMS (INITIAL)
6. ELECTRICAL LIFE: 30,000 MAKE-AND-BREAK CYCLES
7. CONTACT MATERIAL: SILVER
8. PANEL THICKNESS: 0.5 - 5.0mm
9. OPERATING TEMP.: -25°C to 55°C
10. STORAGE TEMP.: -40°C to 70°C
11. ▲ DENOTES CRITICAL PARAMETER.
12. 2002/95/EC (ROHS) COMPLIANT
13. PACKAGING: SHIPPED SEPARATELY IN BULK
14. LAMP: 12 VDC LED



 				
TITLE MDP16OAT2210G				
SCALE	DATE	DR	DWG	REV
1.25 : 1	7/15/2010	BLR	XF0823P	A

A	19194	RELEASED FOR PRODUCTION	7/15/10	BLR
REV	PCR NO	DESCRIPTION	DATE	BY

THE INFORMATION CONTAINED IN THIS DOCUMENT IS PROPRIETARY TO E-SWITCH AND IS NOT TO BE COPIED OR TRANSFERRED