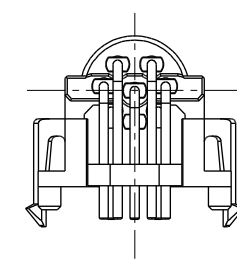
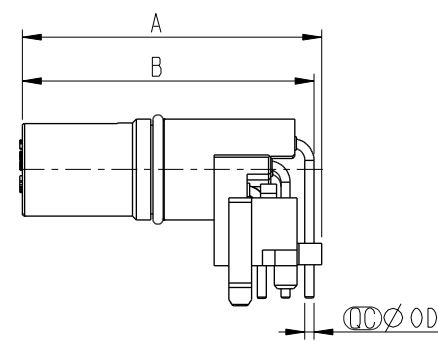
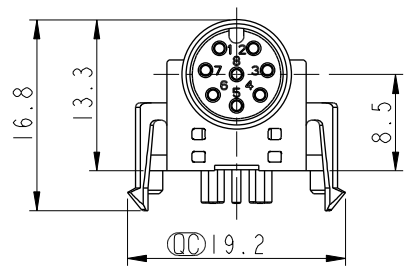
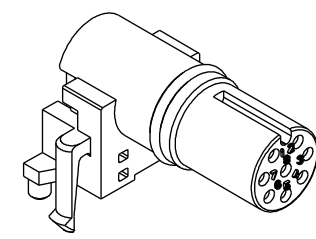
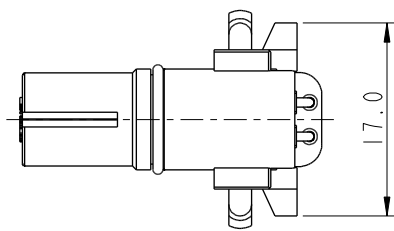


THIS DOCUMENT IS SUBJECT TO CHANGE WITHOUT NOTICE. IT IS CONFIDENTIAL AND A PROPERTY OF AMPHENOL LTW. DISCLOSURE TO THIRD PARTY HAS TO BE AUTHORIZED BY AMPHENOL LTW.

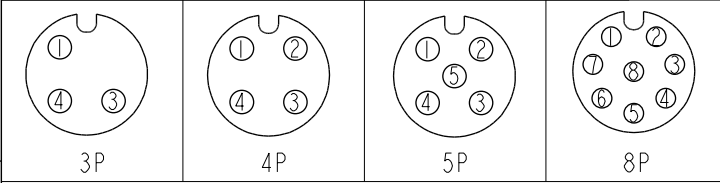
REV.	ECN NO.	DATE	SIGN	DESCRIPTION
A		2022-03-02	Jiahe Lin	Rev.01 To Rev.A

M12A-XXPFFR-EE0001

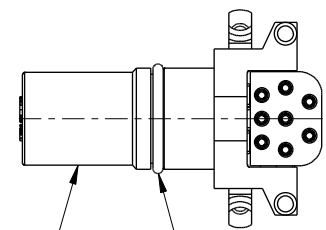
XX: No. Of Pin



M12A-03PFFR-EE0001	26.6	25.5	1.0
M12A-04PFFR-EE0001	26.6	25.5	1.0
M12A-05PFFR-EE0001	26.6	25.5	1.0
M12A-08PFFR-EE0001	26.4	25.7	0.8
Item No.	A	B	OD



Pin Assignment Front View



Note:

- * RoHS Compliant
- * \varnothing Important dimension
- * Waterproof rate: Non-Waterproof
- * Connector
- Housing: Thermoplastic, Black
- Pin: Copper alloy, Gold plated
- O-Ring: Rubber, Gray
- * For pcb thickness max: 1.6mm

UNIT: mm			TITLE N SEN, M12 A, RECEPTACLE, F, F, PCB R
TOLERANCE .X ±0.25 .XX ±0.1 .XXX ±0.05 ANGLES ±1°	SCALE 3:2	SIZE A4	SHEET 1 OF 2
REV. A	WC-REV. A.1	\varnothing : Inspection item	

Amphenol LTW
安費諾亮泰企業股份有限公司

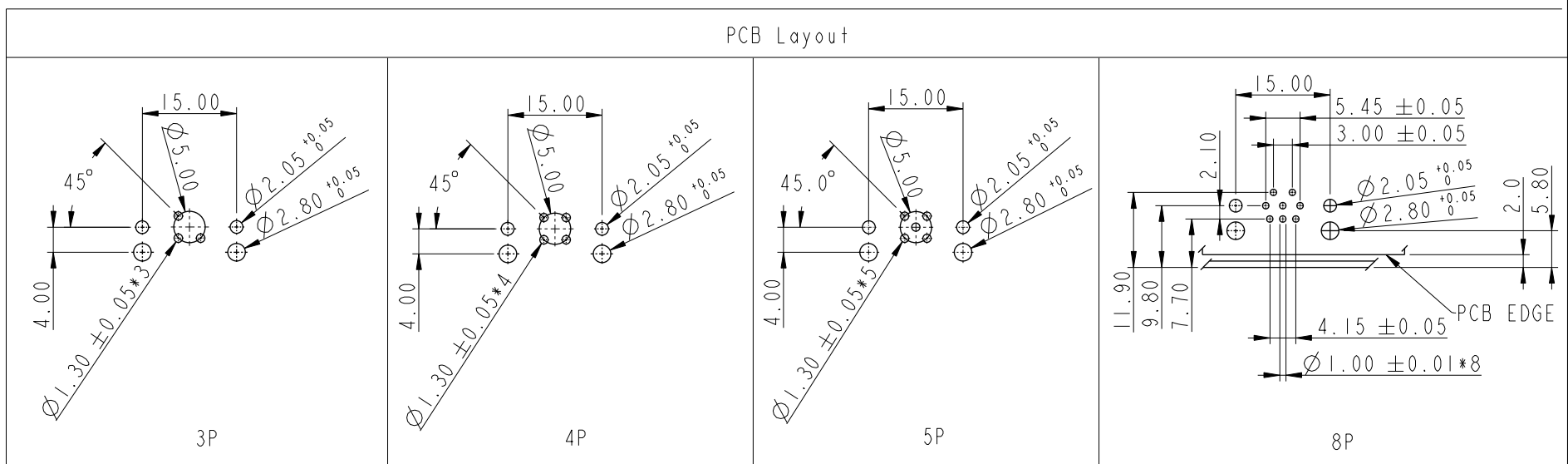
ITEM NO.	DRAWN BY Jiahe Lin	DATE 2022-03-02
DWG NO. M12A-XXPFFR-EE0001	CHECKED BY Allen Pan	DATE 2022-03-02
CUSTOMER ALTW	APPROVED BY Fred Lee	DATE 2022-03-02

THIS DOCUMENT IS SUBJECT TO CHANGE WITHOUT NOTICE. IT IS CONFIDENTIAL AND A PROPERTY OF Amphenol LTW. DISCLOSURE TO THIRD PARTY HAS TO BE AUTHORIZED BY Amphenol LTW.

1 2 3 4 5 6 7 8

F
E
D
C
B
A

PCB Layout



UNIT: mm		
TOLERANCE	.X	±0.25
	.XX	±0.1
	.XXX	±0.05
ANGLES		±1°

TITLE N SEN, M12 A, RECEPTACLE, F, F, PCB R		
SCALE 3:2	SIZE A4	SHEET 2 OF 2
REV. A	WC-REV. A.1	Inspection item

Amphenol LTW
安費諾亮泰企業股份有限公司

ITEM NO	DWG NO	CUSTOMER
	M12A-XXPFFR-EE0001	ALTW

DRAWN BY Jiahe Lin	CHECKED BY Allen Pan	APPROVED BY Fred Lee
-----------------------	-------------------------	-------------------------

DATE 2022-03-02	DATE 2022-03-02	DATE 2022-03-02
--------------------	--------------------	--------------------

2 3 4 5 6 7 8 W10814-03-001A2