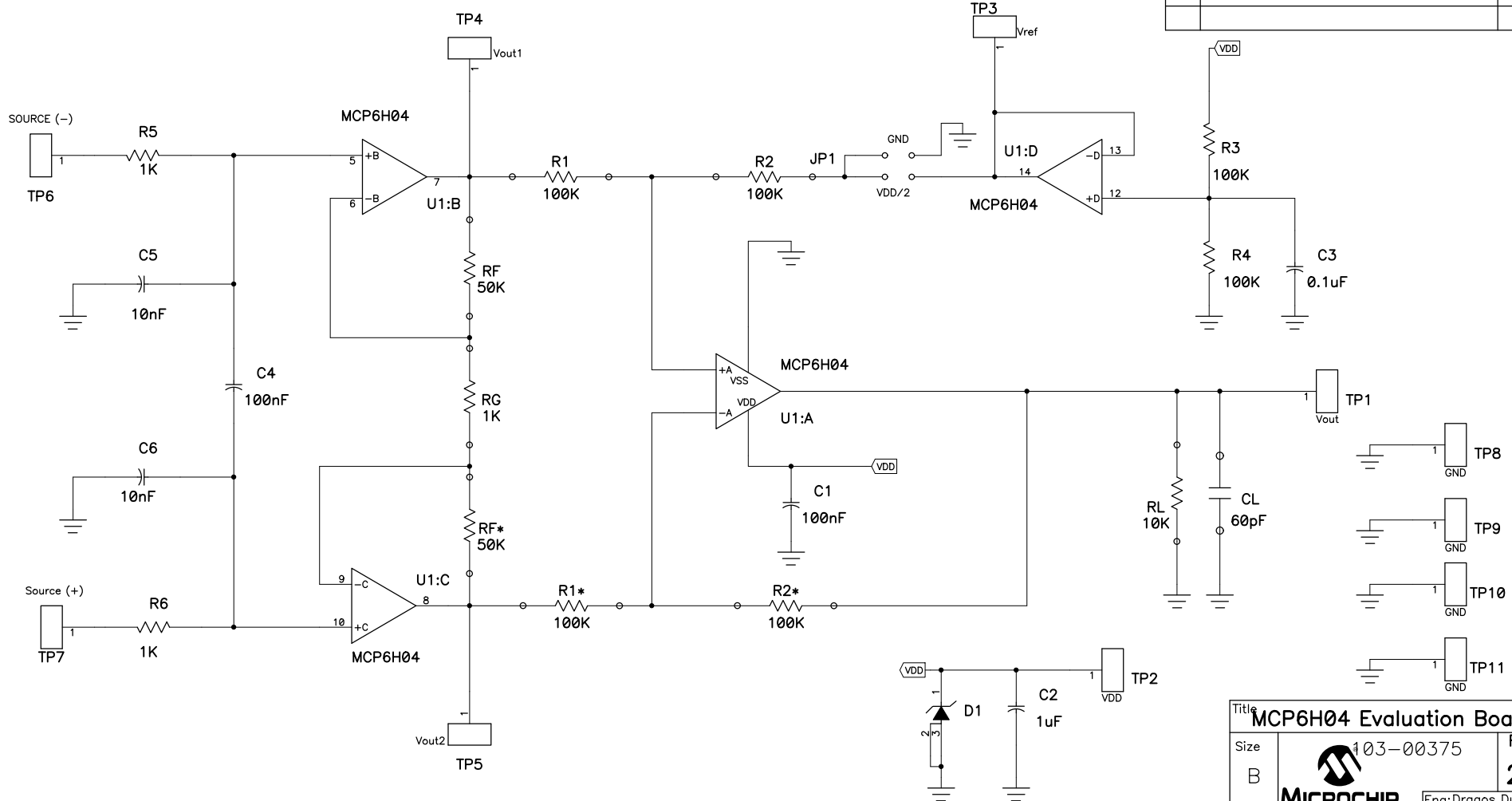


Rev	Description	Date
1	Initial Design	
2	Moved all traces on top layer	6/24/11



Title MCP6H04 Evaluation Board		
Size B	103-00375 	Rev 2
Date: 9/12/2011	Eng: Dragos Ducu Drawn by: Dragos Ducu Sheet 1 of 1	