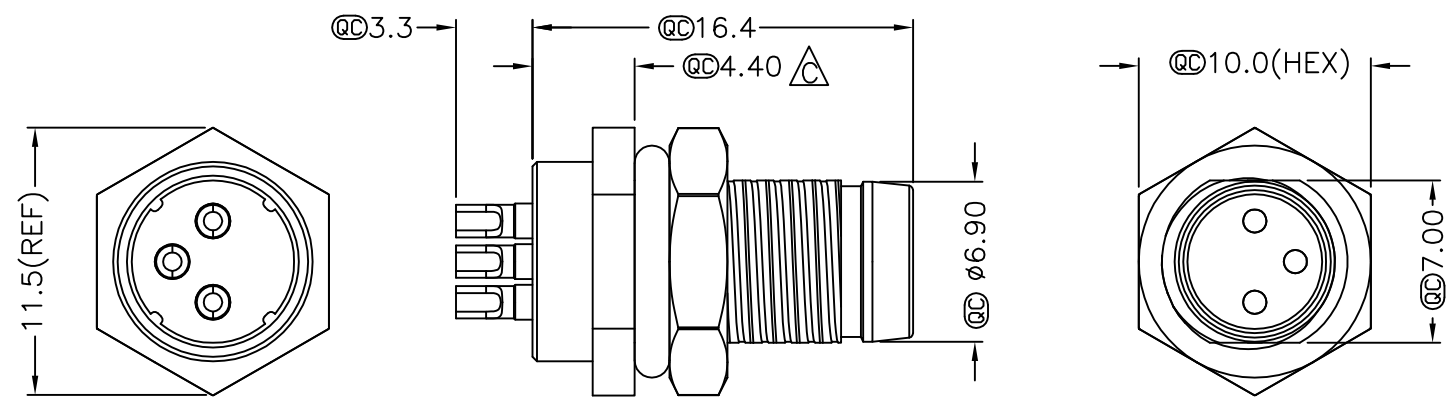


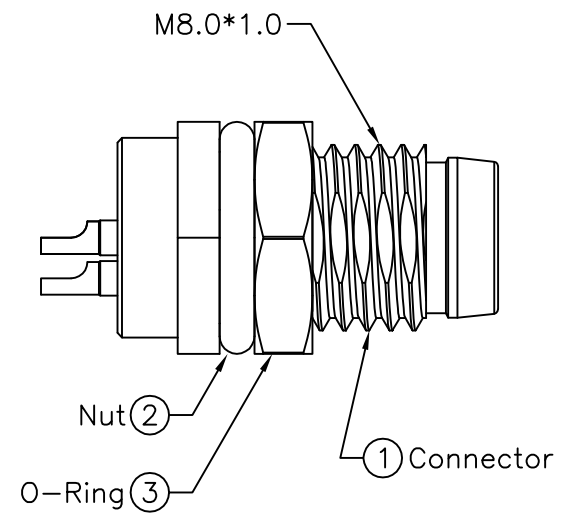
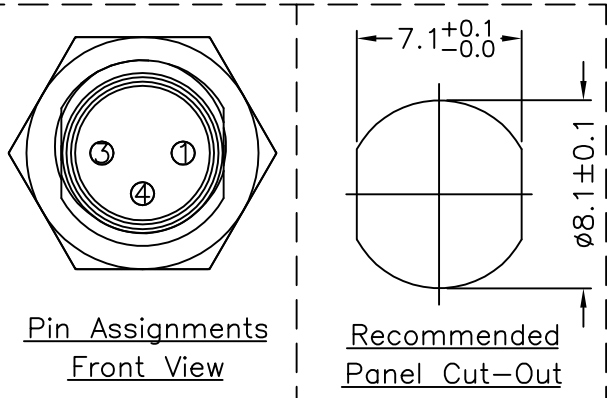
REV	ECN NO.	DATE	SIGN	DESCRIPTION
B	LEN-7A0182	2007/09/29	Myrdal	Added Note
C	LEN-910181	2009/01/07	Ivan Lin	Change rev. to ECN note

THIS DOCUMENT IS SUBJECT TO CHANGE WITHOUT NOTICE. IT IS CONFIDENTIAL AND A PROPERTY OF Amphenol LTW. DISCLOSURE TO THIRD PARTY HAS TO BE AUTHORIZED BY Amphenol LTW.



**ALTW**  
 CONFIDENTIAL  
 2009.01.07  
 R&D DEPT.

**ALTW**  
 DCC. DEPT.  
 CONFIDENTIAL  
 2009.01.19  
**ISSUED**



Note:

- \* @C Important Dimension.
- \* Waterproof Rate: IP67
- \* Housing: Black, Nylon+GF
- \* Male Pin: Copper Alloy, Gold Plated
- \* Shield: Zinc Alloy, Nickel Plated
- \* Nut: Copper Alloy, Nickel Plated
- \* O-Ring: Black, EPDM
- \* For Panel Thickness Max 3.0mm
- \* Nut Torque: 4-6 kgf.cm

UNIT:mm		TITLE M8 Conn Panel Screw 3P M Conn M Pin	<b>Amphenol LTW</b> 安費諾亮泰企業股份有限公司		ITEM NO 8-03PMMS-SF7002	DRAWN BY Ivan Lin	DATE 2009/01/07
TOLERANCE .X ±0.25 .XX ±0.1 .XXX ±0.05 ANGLES ±1°		SCALE Free			SHEET 1 OF 1	DWG NO 8-03PMMS-SF7002	CHECKED BY Tommy Hom
REV. C	SIZE A4	@C :Inspection Item			CUSTOMER ALTW	APPROVED BY Luke Chang	DATE 2009/01/07