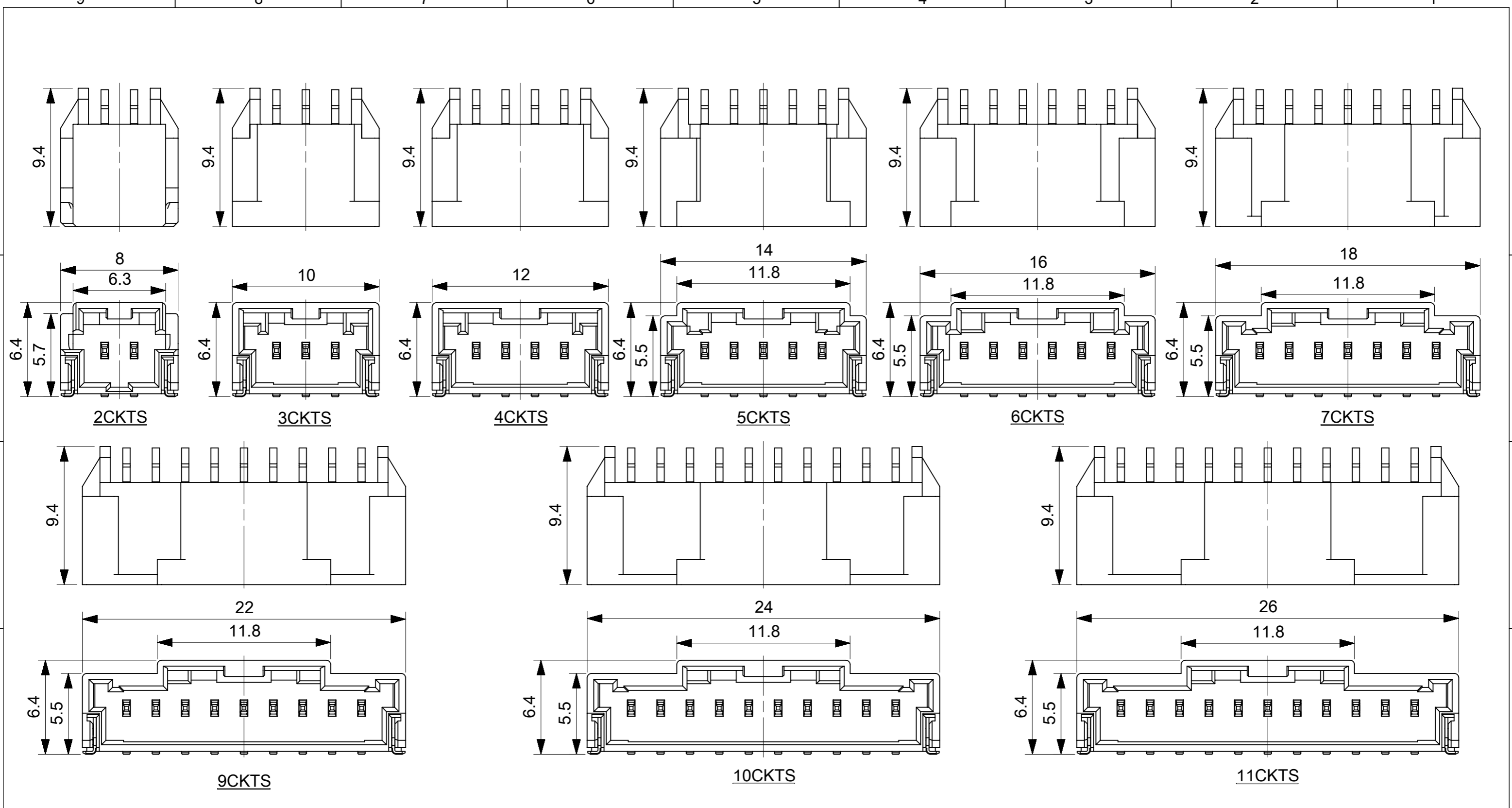


- 注記
NOTES
- 材質
ハウジング：耐熱性ナイロンUL94V-0
ピン：銅合金、ニッケル下地、錫メッキ、金メッキ
フィッティングネール：銅合金、ニッケル下地、錫メッキ
MATERIAL
HOUSING:POLYAMIDE UL94V-0
PIN: COPPER ALLOY, GOLD OR TIN OVER NICKEL PLATE.
FITTING NAIL: COPPER ALLOY, TIN OVER NICKEL PLATE.
 - 色：ナチュラル、黒、赤、青
COLOR:NATURAL, BLACK, RED, BLUE
 - 嵌合相手
ハウジング：502351-**0*
錫メッキ端子：50212-8*00,50372-8*00,560085-0101
金メッキ端子：56161-8*81
MATES WITH
HOUSING:502351-**0*
SN PLATING TERMINAL:50212-8*00,50372-8*00,560085-0101
AU PLATING TERMINAL:56161-8*81
 - エンボス梱包品の詳細はSD-502352-002参照
DETAILED TAPING PACKAGE, SEE SD-502352-002.
 - ELV及びRoHS適合
ELV AND RoHS COMPLIANT
 - 半田付け面のコプラナリティ：0.1mm MAX.
CO-PLANARITY OF SOLDERING TAILS TO BE 0.1mm MAX.

- 7.一般公差
GENERAL TOLERANCES
10 UNDER: ±0.2
10 OVER 30 UNDER: ±0.25
30 OVER: ±0.3
ANGULAR: ±3°

THIS DRAWING CONTAINS INFORMATION THAT IS PROPRIETARY TO MOLEX ELECTRONIC TECHNOLOGIES, LLC AND SHOULD NOT BE USED WITHOUT WRITTEN PERMISSION		CURRENT REV DESC:		molex		
DIMENSION UNITS	SCALE	EC NO: 628767				
mm	5:1	DRWN: MSATO08 2019/12/09		2.0MM PITCH W/B CONN. WAFER ASSY R/A SMT		
GENERAL TOLERANCES (UNLESS SPECIFIED)		CHK'D: HIJIMA 2019/12/10		PRODUCT CUSTOMER DRAWING		
ANGULAR TOL	±	APPR: TOSADA 2019/12/13		DOCUMENT NUMBER		
4 PLACES	±	INITIAL REVISION:		SD-502352-001		
3 PLACES	±	DRWN: SHSHIBATA 2008/01/23		DOC TYPE		
2 PLACES	±	APPR: AKANESHIGE 2008/04/23		DOC PART		
1 PLACE	±	DRWN: SHSHIBATA 2007/12/18		REVISION		
0 PLACES	±	CHECK HKOMATSU 2007/12/18		L3		
DRAFT WHERE APPLICABLE MUST REMAIN WITHIN DIMENSIONS		THIRD ANGLE PROJECTION	DRAWING	SERIES	MATERIAL NUMBER	CUSTOMER
			A3-SIZE	502352	SEE CHART	GENERAL MARKET
						SHEET NUMBER
						1 OF 4

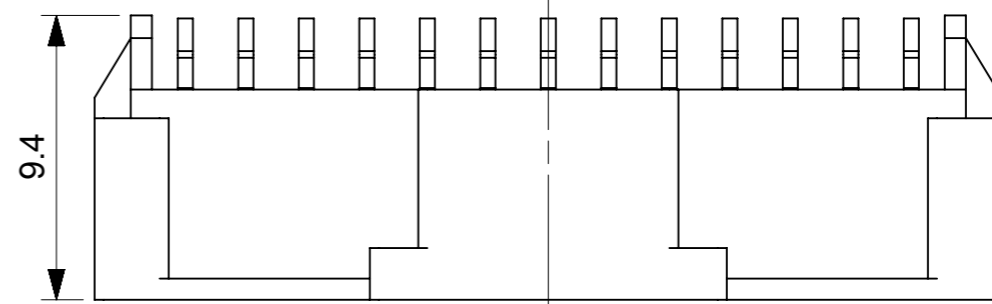
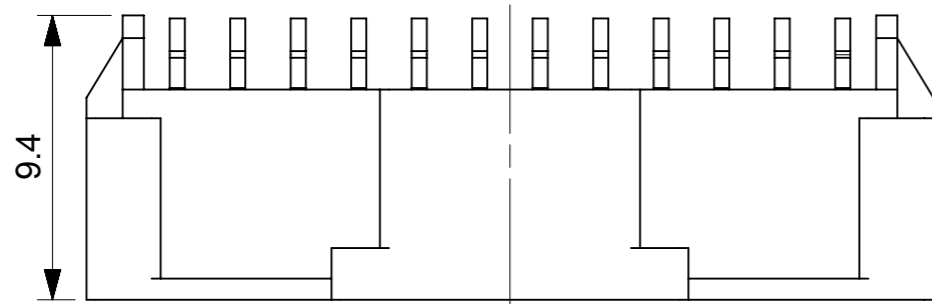
DOCUMENT STATUS	P1	RELEASE DATE	2019/12/13	01:20:00
-----------------	----	--------------	------------	----------



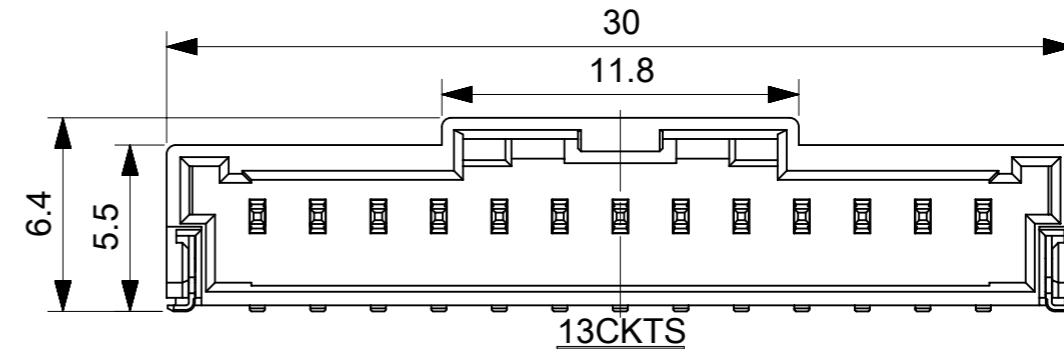
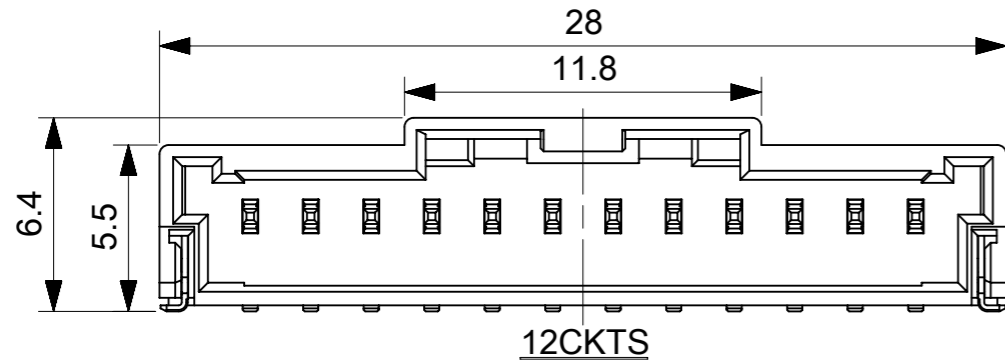
THIS DRAWING CONTAINS INFORMATION THAT IS PROPRIETARY TO MOLEX ELECTRONIC TECHNOLOGIES, LLC AND SHOULD NOT BE USED WITHOUT WRITTEN PERMISSION			
DIMENSION UNITS	SCALE	CURRENT REV DESC:	
mm	4:1		
GENERAL TOLERANCES (UNLESS SPECIFIED)			
ANGULAR TOL	±	°	
4 PLACES	±		
3 PLACES	±		
2 PLACES	±		
1 PLACE	±		
0 PLACES	±		
DRAFT WHERE APPLICABLE	THIRD ANGLE PROJECTION	DRAWING	SERIES
MUST REMAIN WITHIN DIMENSIONS		A3-SIZE	502352
INITIAL REVISION:		EC NO: 628767	
DRWN SHSHIBATA	2007/12/18	DRWN: MSATO08	2019/12/09
CHECK HKOMATSU	2007/12/18	CHK'D: HIJIMA	2019/12/10
APPR AKANESHIGE	2007/12/18	APPR: TOSADA	2019/12/13
		INITIAL REVISION:	
		DRWN: SHSHIBATA	2008/01/23
		APPR: AKANESHIGE	2008/04/23
DOCUMENT STATUS		DOCUMENT NUMBER	DOC TYPE
P1	RELEASE DATE	SD-502352-001	PSD
2019/12/13	01:20:00	DOC PART	001
		REVISION	L3
		MATERIAL NUMBER	SEE CHART
		CUSTOMER	GENERAL MARKET
		SHEET NUMBER	2 OF 4

9 8 7 6 5 4 3 2 1

E



E

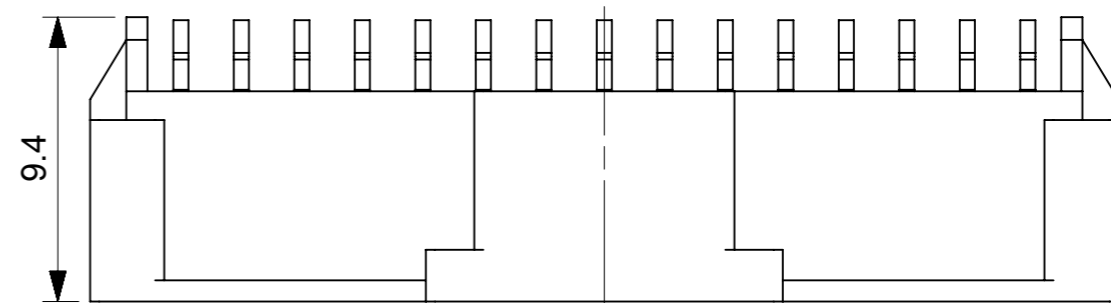
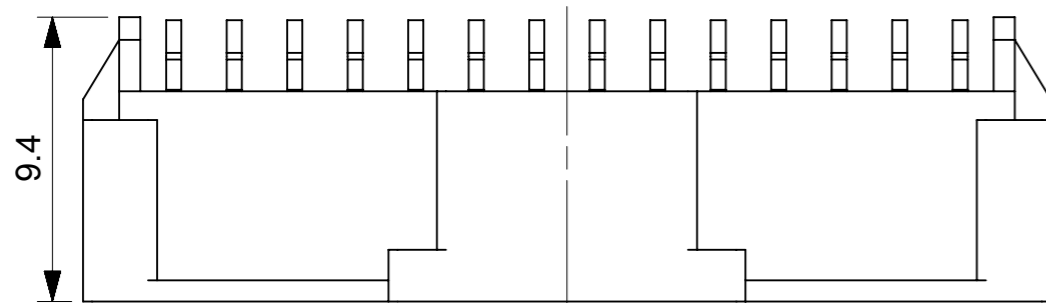


D

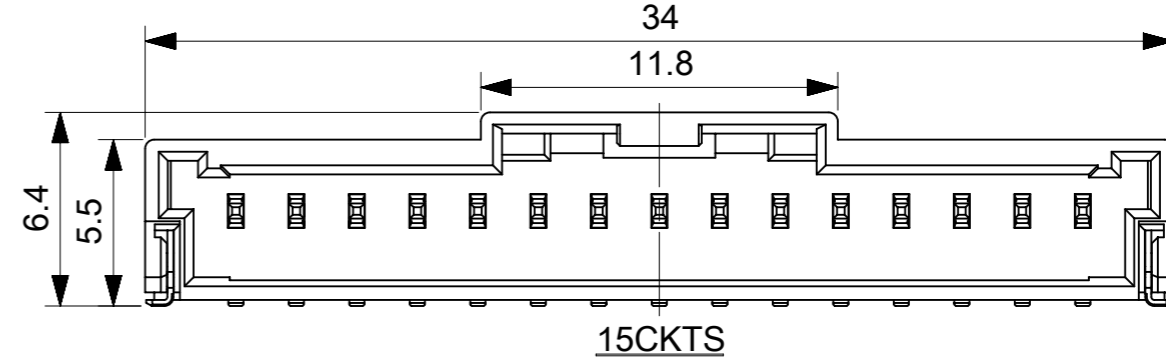
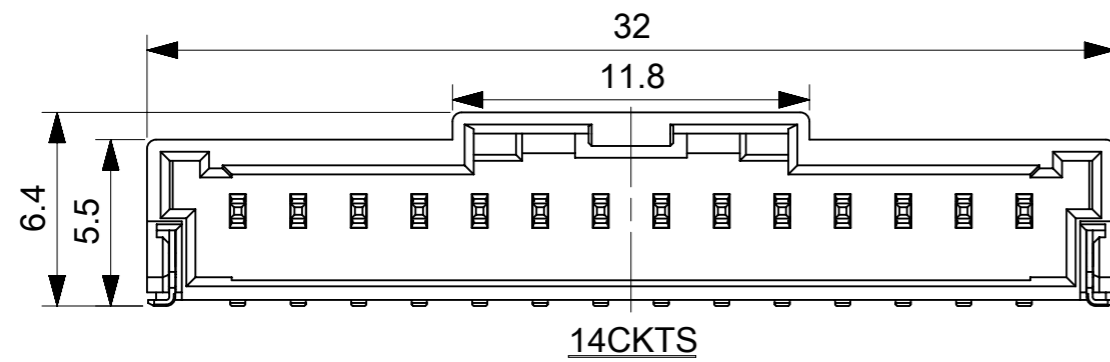
12CKTS

13CKTS

C



C



B

14CKTS

15CKTS

A

THIS DRAWING CONTAINS INFORMATION THAT IS PROPRIETARY TO MOLEX ELECTRONIC TECHNOLOGIES, LLC AND SHOULD NOT BE USED WITHOUT WRITTEN PERMISSION									
DIMENSION UNITS		SCALE		CURRENT REV DESC:				molex	
mm		4:1							
GENERAL TOLERANCES (UNLESS SPECIFIED)									
ANGULAR TOL ± °									
4 PLACES ±									
3 PLACES ±									
2 PLACES ±									
1 PLACE ±									
0 PLACES ±									
INITIAL REVISION:				THIRD ANGLE PROJECTION		DRAWING		SERIES	
DRWN SHSHIBATA 2007/12/18				MUST REMAIN WITHIN DIMENSIONS		A3-SIZE		502352	
CHECK HKOMATSU 2007/12/18				EC NO: 628767		2019/12/09		DOCUMENT NUMBER	
APPR AKANESHIGE 2007/12/18				DRWN: MSATO08		2019/12/10		SD-502352-001	
				CHK'D: HIJIMA		2019/12/10		DOC TYPE	
				APPR: TOSADA		2019/12/13		DOC PART	
				INITIAL REVISION:		2008/01/23		REVISION	
				DRWN: SHSHIBATA		2008/01/23		L3	
				APPR: AKANESHIGE		2008/01/23		SHEET NUMBER	
				DRAFT WHERE APPLICABLE		MATERIAL NUMBER		CUSTOMER	
				MUST REMAIN WITHIN DIMENSIONS		SEE CHART		GENERAL MARKET	
								3 OF 4	

A

DOCUMENT STATUS	P1	RELEASE DATE	2019/12/13	01:20:00
-----------------	----	--------------	------------	----------

9 8 7 6 5 4 3 2 1

FORMAT: master-b-prod-A3
REVISION: 11
DATE: 2018/01/18

Sn NATURAL	34.0	502352-1500	15
	32.0	502352-1400	14
	30.0	502352-1300	13
	28.0	502352-1200	12
	26.0	502352-1100	11
	24.0	502352-1000	10
	22.0	502352-0900	9
	20.0	502352-0800	8
	18.0	502352-0700	7
	16.0	502352-0600	6
	14.0	502352-0500	5
	12.0	502352-0400	4
	10.0	502352-0300	3
8.0	502352-0200	2	

PLATING COLOR	A	EMBOSSSED PACKAGE ORDER NO.	CKTS
CONNECTOR SERIES NO. 502352-**08			

Sn BLACK	34.0	502352-1501	15
	32.0	502352-1401	14
	30.0	502352-1301	13
	28.0	502352-1201	12
	26.0	502352-1101	11
	24.0	502352-1001	10
	22.0	502352-0901	9
	20.0	502352-0801	8
	18.0	502352-0701	7
	16.0	502352-0601	6
	14.0	502352-0501	5
	12.0	502352-0401	4
	10.0	502352-0301	3
8.0	502352-0201	2	

PLATING COLOR	A	EMBOSSSED PACKAGE ORDER NO.	CKTS
CONNECTOR SERIES NO. 502352-**28			

Au NATURAL	34.0	502352-1510	15
	32.0	502352-1410	14
	30.0	502352-1310	13
	28.0	502352-1210	12
	26.0	502352-1110	11
	24.0	502352-1010	10
	22.0	502352-0910	9
	20.0	502352-0810	8
	18.0	502352-0710	7
	16.0	502352-0610	6
	14.0	502352-0510	5
	12.0	502352-0410	4
	10.0	502352-0310	3
8.0	502352-0210	2	

PLATING COLOR	A	EMBOSSSED PACKAGE ORDER NO.	CKTS
CONNECTOR SERIES NO. 502352-**18			

Sn RED	-	-	15
	-	-	14
	-	-	13
	-	-	12
	-	-	11
	-	-	10
	-	-	9
	20.0	502352-0802	8
	-	-	7
	16.0	502352-0602	6
	-	-	5
	12.0	502352-0402	4
	10.0	502352-0302	3
8.0	502352-0202	2	

PLATING COLOR	A	EMBOSSSED PACKAGE ORDER NO.	CKTS
CONNECTOR SERIES NO. 502352-**48			

Sn BLUE	-	-	15
	-	-	14
	-	-	13
	-	-	12
	-	-	11
	-	-	10
	-	-	9
	20.0	502352-0803	8
	-	-	7
	16.0	502352-0603	6
	-	-	5
	12.0	502352-0403	4
	10.0	502352-0303	3
8.0	502352-0203	2	

PLATING COLOR	A	EMBOSSSED PACKAGE ORDER NO.	CKTS
CONNECTOR SERIES NO. 502352-**68			

Sn BLUE	-	-	15
	-	-	14
	-	-	13
	-	-	12
	-	-	11
	-	-	10
	-	-	9
	20.0	502352-0803	8
	-	-	7
	16.0	502352-0603	6
	-	-	5
	12.0	502352-0403	4
	10.0	502352-0303	3
8.0	502352-0203	2	

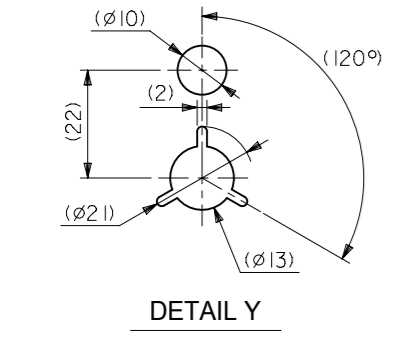
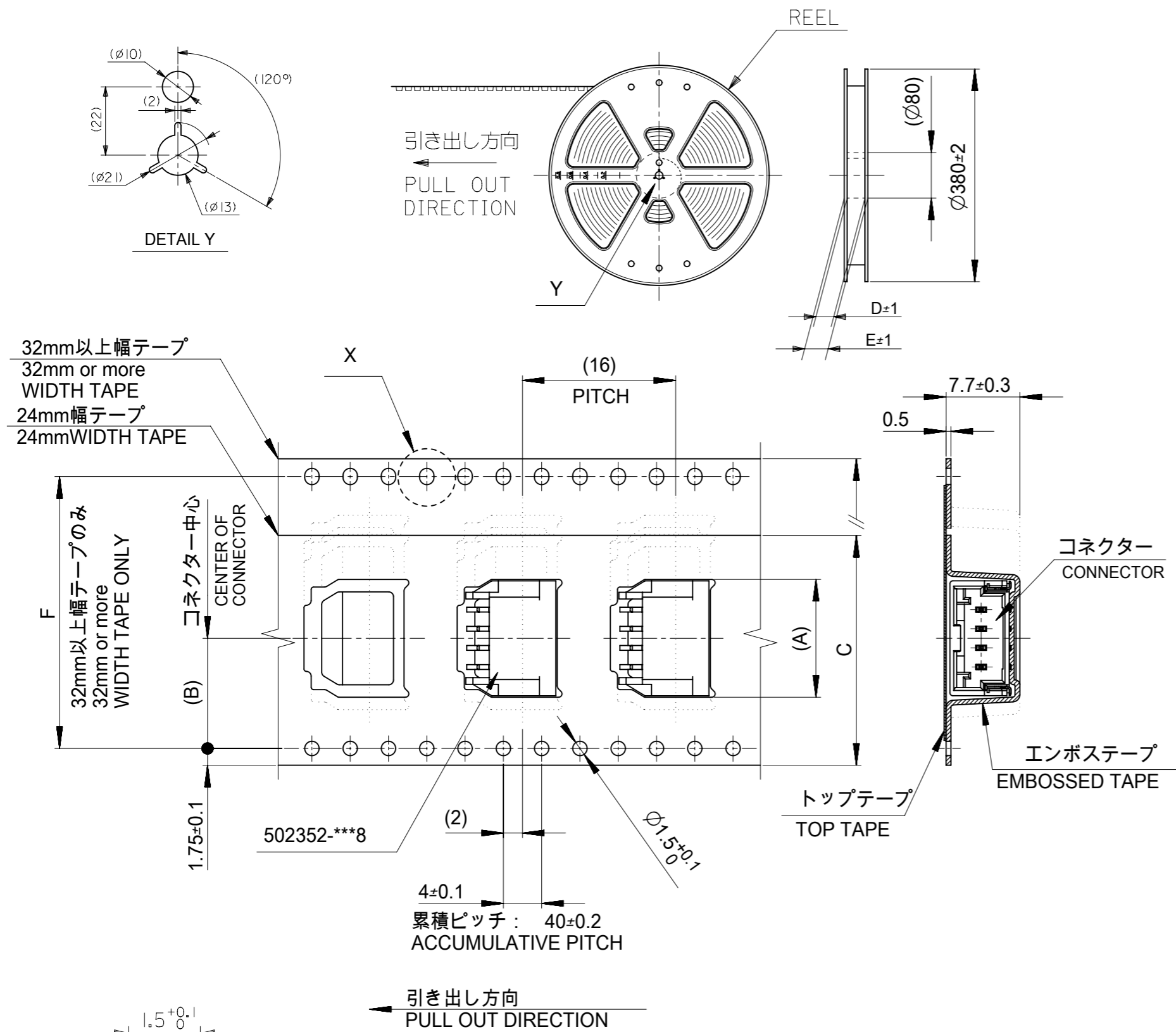
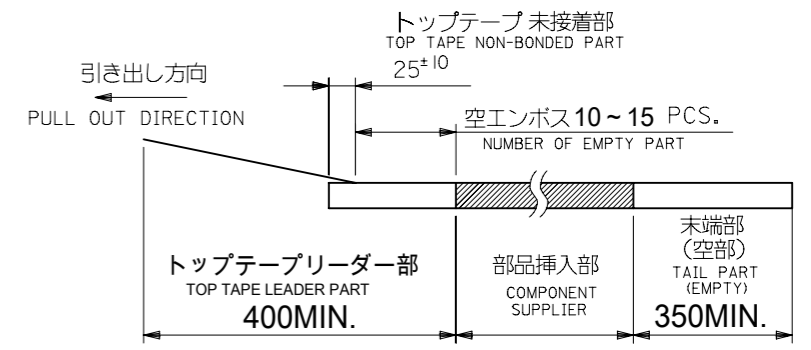
PLATING COLOR	A	EMBOSSSED PACKAGE ORDER NO.	CKTS
CONNECTOR SERIES NO. 502352-**68			

INITIAL REVISION:
 DRWN SHSHIBATA 2007/12/18
 CHECK HKOMATSU 2007/12/18
 APPR AKANESHIGE 2007/12/18

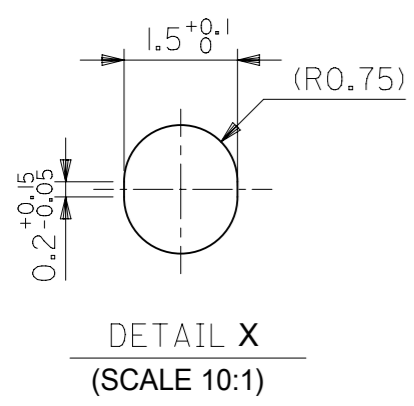
THIS DRAWING CONTAINS INFORMATION THAT IS PROPRIETARY TO MOLEX ELECTRONIC TECHNOLOGIES, LLC AND SHOULD NOT BE USED WITHOUT WRITTEN PERMISSION		CURRENT REV DESC:		molex	
DIMENSION UNITS	SCALE	EC NO: 628767			
mm	1:1	DRWN: MSATO08 2019/12/09		2.0MM PITCH W/B CONN. WAFER ASSY R/A SMT	
GENERAL TOLERANCES (UNLESS SPECIFIED)		CHK'D: HIJIMA 2019/12/10		PRODUCT CUSTOMER DRAWING	
ANGULAR TOL	±	APPR: TOSADA 2019/12/13		DOCUMENT NUMBER	
4 PLACES	±	INITIAL REVISION:		SD-502352-001	
3 PLACES	±	DRWN: SHSHIBATA 2008/01/23		DOC TYPE	DOC PART
2 PLACES	±	APPR: AKANESHIGE 2008/04/23		001	L3
1 PLACE	±	THIRD ANGLE PROJECTION		SHEET NUMBER	
0 PLACES	±	DRAWING		4 OF 4	
DRAFT WHERE APPLICABLE MUST REMAIN WITHIN DIMENSIONS		SERIES		CUSTOMER	
		A3-SIZE		GENERAL MARKET	
		502352		SEE CHART	

注記
NOTES

- 製品番号
 ナチュラル・錫めっき: 502352-**00
 ナチュラル・金めっき: 502352-**10
 黒・錫めっき: 502352-**01
 赤・錫めっき: 502352-**02
 青・錫めっき: 502352-**03
 詳細寸法については、製品単体図面を参照下さい。
 PART NO.
 NATURAL Sn Plating: 502352-**00
 NATURAL Au Plating: 502352-**10
 BLACK Sn Plating: 502352-**01
 RED Sn Plating: 502352-**02
 BLUE Sn Plating: 502352-**03
 SEE SALES DRAWING FOR CONNECTOR
- 梱包数量: 700個/リール
 NUMBER OF CONNECTORS 700PCS/REEL
- リードテープ長さ
 LEAD TAPE LENGHT
- 材料
 MATERIAL
 キャリアテープ: ポリスチレン
 CARRIER TAPE: POLYSTYRENE
 トップテープ: PET, PE, PEF
 TOP TAPE: PET, PE, PEF
 リール: ポリスチレン
 REEL: POLYSTYRENE
- 一般公差
 GENERAL TOLERANCES
 10 UNDER: ±0.2
 10 OVER 30 UNDER: ±0.25
 30 OVER: ±0.3
 ANGULAR: ±1°



32mm以上幅テープ
32mm or more
WIDTH TAPE
24mm幅テープ
24mm WIDTH TAPE



引き出し方向
PULL OUT DIRECTION


エンボステープ内の製品の向き
DIRECTION OF CONNECTOR
IN EMBOSSSED TAPE

THIS DRAWING CONTAINS INFORMATION THAT IS PROPRIETARY TO MOLEX ELECTRONIC TECHNOLOGIES, LLC AND SHOULD NOT BE USED WITHOUT WRITTEN PERMISSION		CURRENT REV DESC:		molex	
DIMENSION UNITS	SCALE				
mm	NTS			2.0MM PITCH W/B CONN. WAFFER ASSY EMBOSSSED TAPE PACKAGE	
GENERAL TOLERANCES (UNLESS SPECIFIED)		EC NO: 629663		PRODUCT CUSTOMER DRAWING	
ANGULAR TOL	± °	DRWN: MSATO08	2019/12/26	DOCUMENT NUMBER	
4 PLACES	±	CHK'D: HIJIMA	2019/12/27	SD-502352-002	
3 PLACES	±	APPR: TOSADA	2019/12/27	DOC TYPE	DOC PART
2 PLACES	±	INITIAL REVISION:		PSD	001
1 PLACE	±	DRWN: SHSHIBATA	2007/06/19	REVISION	
0 PLACES	±	APPR: AKANESHIGE	2007/06/19	K2	
DRAFT WHERE APPLICABLE MUST REMAIN WITHIN DIMENSIONS		THIRD ANGLE PROJECTION	DRAWING	SERIES	MATERIAL NUMBER
			A3-SIZE	502352	CUSTOMER
					GENERAL MARKET
					SHEET NUMBER
					1 OF 2

INITIAL REVISION:		
DRWN	SHSHIBATA	2007/06/06
CHECK	TAITO	2007/06/06
APPR	MAYAMAMOTO	2012/03/14

E	Sn NATURAL	52.4	61.4	57.4	56	26.2	34.3	502352-1500	15	Au NATURAL	52.4	61.4	57.4	56	26.2	34.3	502352-1510	15	D	PLATING COLOR	F	E	D	C	(B)	(A)	32.3	502352-1400	14	F	E	D	C	(B)	(A)	32.3	502352-1410	14	3	2	1																																																																																																																																																																																										
		40.4	49.4	45.4	44	20.2	30.3	502352-1300	13		40.4	49.4	45.4	44	20.2	30.3	502352-1310	13									30.3	502352-1310	13																																																																																																																																																																																																						
		28.4	37.4	33.4	32	14.2	28.3	502352-1200	12		28.4	37.4	33.4	32	14.2	28.3	502352-1210	12									28.4	37.4	33.4							32	14.2	28.3				502352-1210	12	28.4	37.4	33.4	32	14.2	26.3	502352-1100	11	28.4	37.4	33.4	32	14.2	26.3	502352-1110	11	28.4	37.4	33.4	32	14.2	26.3	502352-1110	11	28.4	37.4	33.4	32	14.2	24.3	502352-1000	10	28.4	37.4	33.4	32	14.2	24.3	502352-1010	10	28.4	37.4	33.4	32	14.2	24.3	502352-1010	10	28.4	37.4	33.4	32	14.2	22.3	502352-0900	9	28.4	37.4	33.4	32	14.2	22.3	502352-0910	9	28.4	37.4	33.4	32	14.2	20.3	502352-0800	8	28.4	37.4	33.4	32	14.2	20.3	502352-0810	8	28.4	37.4	33.4	32	14.2	18.3	502352-0700	7	28.4	37.4	33.4	32	14.2	18.3	502352-0710	7	28.4	37.4	33.4	32	14.2	16.3	502352-0600	6	28.4	37.4	33.4	32	14.2	16.3	502352-0610	6	28.4	37.4	33.4	32	14.2	14.3	502352-0500	5	28.4	37.4	33.4	32	14.2	14.3	502352-0510	5	28.4	37.4	33.4	32	14.2	12.3	502352-0400	4	28.4	37.4	33.4	32	14.2	12.3	502352-0410	4	28.4	37.4	33.4	32	14.2	10.3	502352-0300	3	28.4	37.4	33.4	32	14.2	10.3	502352-0310	3	28.4	37.4	33.4	32	14.2	8.3	502352-0200	2	28.4	37.4	33.4	32	14.2	8.3	502352-0210	2	28.4	37.4	33.4	32	14.2	8.3	502352-0210	2
							29.4	25.4	24							11.5	12.3	502352-0400																				4				29.4	25.4						24	11.5	12.3						502352-0410	4	29.4						25.4	24	11.5						12.3	502352-0410	4																																																																																																																																																								
							29.4	25.4	24							11.5	10.3	502352-0300																				3				29.4	25.4						24	11.5	10.3						502352-0310	3	29.4						25.4	24	11.5						10.3	502352-0310	3																																																																																																																																																								
		29.4	25.4	24	11.5	8.3	502352-0200	2	29.4		25.4	24	11.5	8.3	502352-0210	2	29.4	25.4									24	11.5	8.3							502352-0210	2																																																																																																																																																																																														

C	Sn BLACK	52.4	61.4	57.4	56	26.2	34.3	502352-1501	15	Sn RED	PLATING COLOR	F	E	D	C	(B)	(A)	F	E	D	C	(B)	(A)	34.3	502352-1501	15	F	E	D	C	(B)	(A)	32.3	502352-1401	14	F	E	D	C	(B)	(A)	32.3	502352-1411	14	3	2	1																																																																																																																																																																							
		40.4	49.4	45.4	44	20.2	30.3	502352-1301	13															40.4	49.4	45.4							44	20.2	30.3							502352-1301	13	40.4				49.4	45.4	44	20.2	30.3	502352-1301	13	40.4	49.4	45.4	44	20.2	30.3	502352-1301	13																																																																																																																																																								
		28.4	37.4	33.4	32	14.2	28.3	502352-1201	12															28.4	37.4	33.4							32	14.2	28.3							502352-1201	12	28.4				37.4	33.4	32	14.2	28.3	502352-1201	12	28.4	37.4	33.4	32	14.2	26.3	502352-1101	11	28.4	37.4	33.4	32	14.2	26.3	502352-1101	11	28.4	37.4	33.4	32	14.2	24.3	502352-1001	10	28.4	37.4	33.4	32	14.2	24.3	502352-1001	10	28.4	37.4	33.4	32	14.2	22.3	502352-0901	9	28.4	37.4	33.4	32	14.2	22.3	502352-0901	9	28.4	37.4	33.4	32	14.2	20.3	502352-0801	8	28.4	37.4	33.4	32	14.2	20.3	502352-0801	8	28.4	37.4	33.4	32	14.2	18.3	502352-0701	7	28.4	37.4	33.4	32	14.2	18.3	502352-0701	7	28.4	37.4	33.4	32	14.2	16.3	502352-0601	6	28.4	37.4	33.4	32	14.2	16.3	502352-0601	6	28.4	37.4	33.4	32	14.2	14.3	502352-0501	5	28.4	37.4	33.4	32	14.2	14.3	502352-0501	5	28.4	37.4	33.4	32	14.2	12.3	502352-0401	4	28.4	37.4	33.4	32	14.2	12.3	502352-0401	4	28.4	37.4	33.4	32	14.2	10.3	502352-0301	3	28.4	37.4	33.4	32	14.2	10.3	502352-0301	3	28.4	37.4	33.4	32	14.2	8.3	502352-0201	2	28.4	37.4	33.4	32	14.2	8.3	502352-0201	2
							29.4	25.4	24																										11.5							12.3	502352-0401									4	29.4	25.4						24	11.5	12.3						502352-0401	4	29.4						25.4	24	11.5						12.3	502352-0401	4																																																																																																																																
							29.4	25.4	24																										11.5							10.3	502352-0301									3	29.4	25.4						24	11.5	10.3						502352-0301	3	29.4						25.4	24	11.5						10.3	502352-0301	3																																																																																																																																
		29.4	25.4	24	11.5	8.3	502352-0201	2	29.4															25.4	24	11.5							8.3	502352-0201	2							29.4	25.4	24				11.5	8.3	502352-0201	2																																																																																																																																																																			

THIS DRAWING CONTAINS INFORMATION THAT IS PROPRIETARY TO MOLEX ELECTRONIC TECHNOLOGIES, LLC AND SHOULD NOT BE USED WITHOUT WRITTEN PERMISSION																			
DIMENSION UNITS: mm SCALE: NTS		CURRENT REV DESC:																	
GENERAL TOLERANCES (UNLESS SPECIFIED)		EC NO: 629663 DRWN: MSATO08 2019/12/26 CHK'D: HIJIMA 2019/12/27 APPR: TOSADA 2019/12/27				2.0MM PITCH W/B CONN. WAFER ASSY EMBOSSED TAPE PACKAGE													
ANGULAR TOL ± °		INITIAL REVISION:				PRODUCT CUSTOMER DRAWING													
4 PLACES ±		DRWN: SHSHIBATA 2007/06/19 APPR: AKANESHIGE 2007/06/19				DOCUMENT NUMBER: SD-502352-002		DOC TYPE: PSD		DOC PART: 001		REVISION: K2							
3 PLACES ±		DRAFT WHERE APPLICABLE MUST REMAIN WITHIN DIMENSIONS				THIRD ANGLE PROJECTION		DRAWING: A3-SIZE		SERIES: 502352		MATERIAL NUMBER: SEE CHART		CUSTOMER: GENERAL MARKET		SHEET NUMBER: 2 OF 2			
2 PLACES ±		INITIAL REVISION:				DRWN: SHSHIBATA 2007/06/19		APPR: AKANESHIGE 2007/06/19		DOCUMENT NUMBER: SD-502352-002		DOC TYPE: PSD		DOC PART: 001		REVISION: K2			
1 PLACE ±		INITIAL REVISION:				DRWN: SHSHIBATA 2007/06/19		APPR: AKANESHIGE 2007/06/19		DOCUMENT NUMBER: SD-502352-002		DOC TYPE: PSD		DOC PART: 001		REVISION: K2			
0 PLACES ±		INITIAL REVISION:				DRWN: SHSHIBATA 2007/06/19		APPR: AKANESHIGE 2007/06/19		DOCUMENT NUMBER: SD-502352-002		DOC TYPE: PSD		DOC PART: 001		REVISION: K2			
DOCUMENT STATUS: P1		RELEASE DATE: 2019/12/27		08:05:27		INITIAL REVISION:		DRWN: SHSHIBATA 2007/06/19		APPR: MAYAMAMOTO 2012/03/14		DOCUMENT NUMBER: SD-502352-002		DOC TYPE: PSD		DOC PART: 001		REVISION: K2	