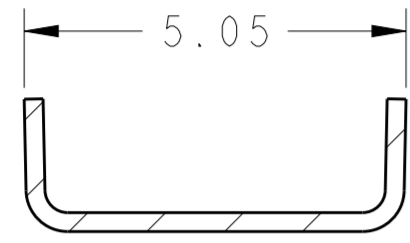
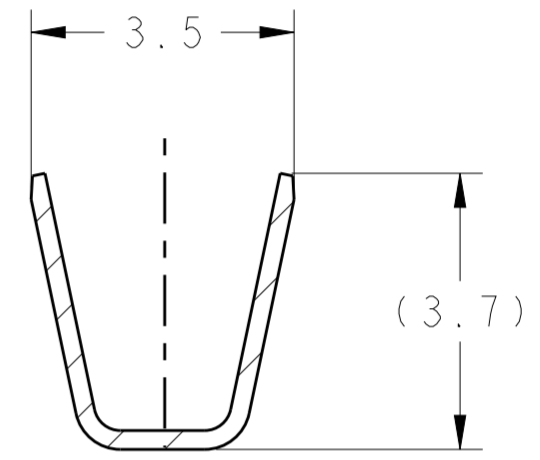
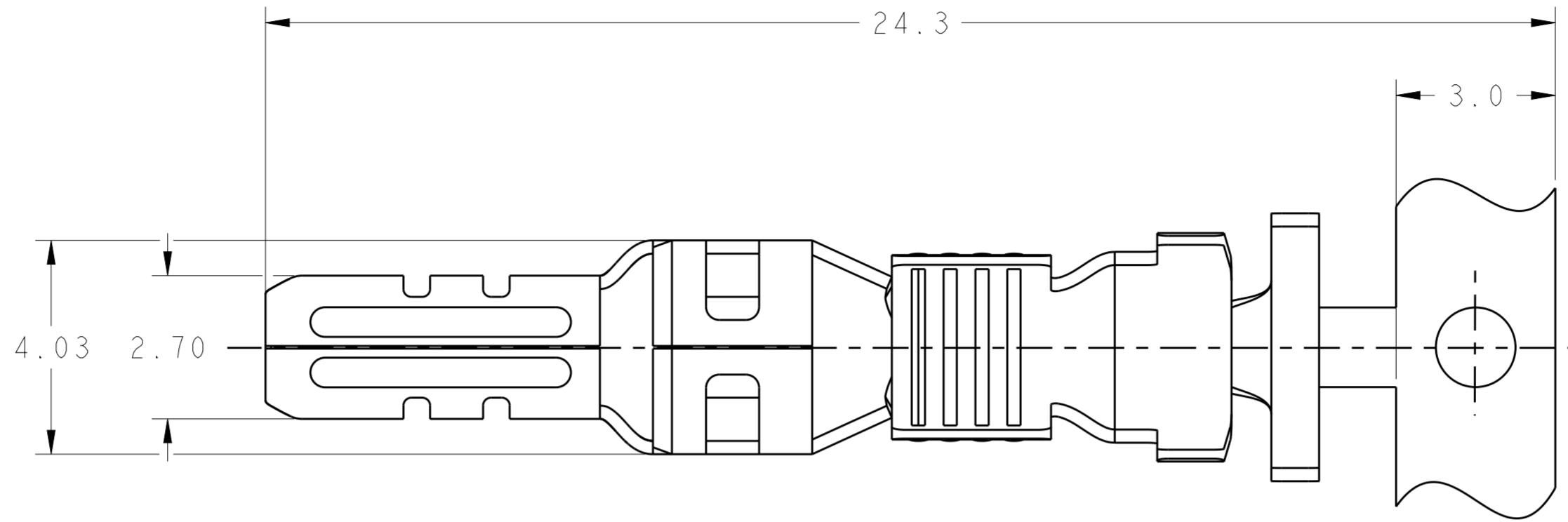


THIS DRAWING IS UNPUBLISHED. RELEASED FOR PUBLICATION 20
 © COPYRIGHT 20 BY - ALL RIGHTS RESERVED.

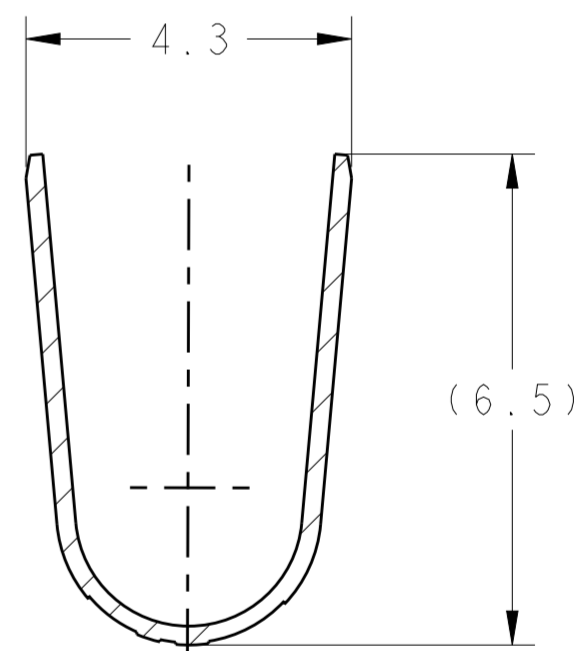
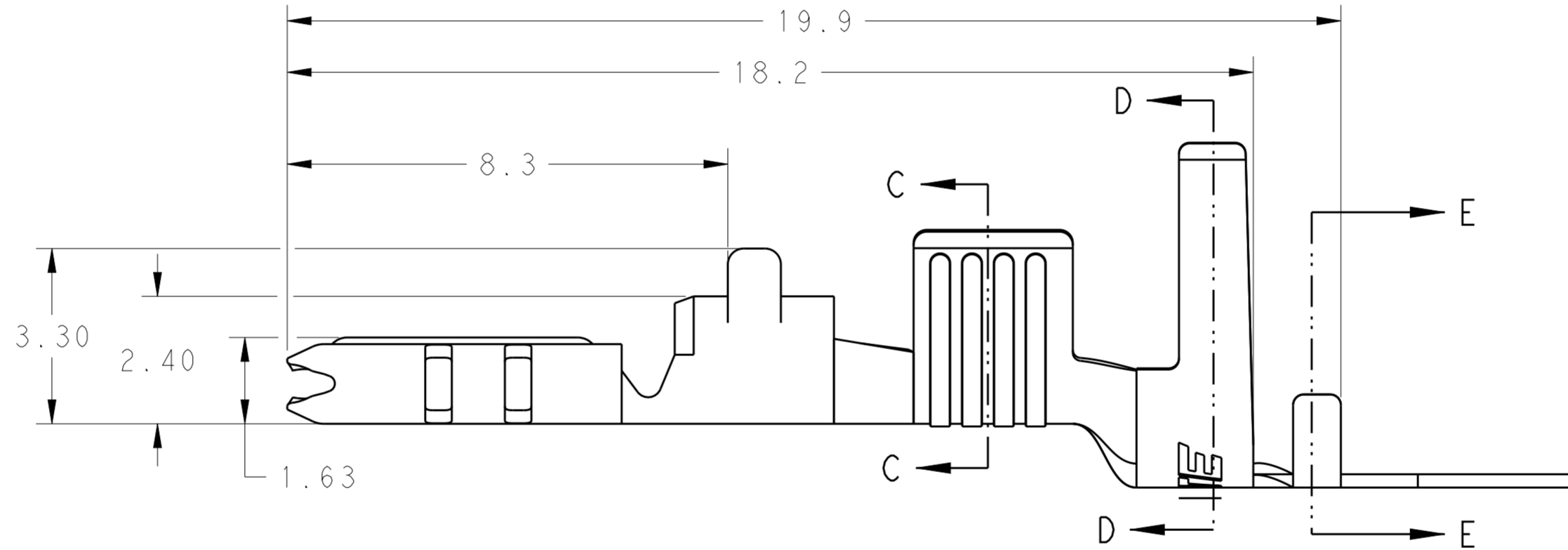
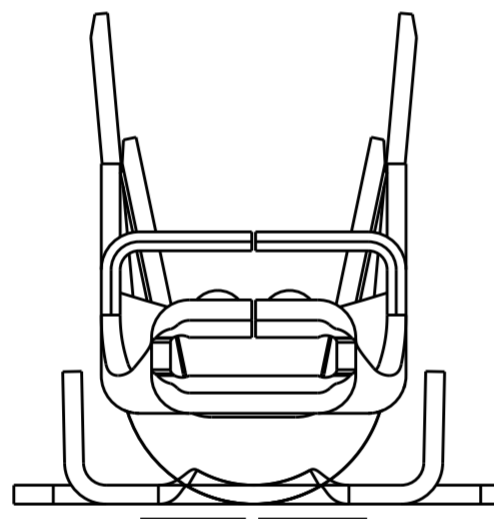
LOC		DIST		REVISIONS			
P	LTR	DESCRIPTION	DATE	DWN	APVD		
ES	00						
	D2	REVISED PER ECR-16-017426	19DEC2016	BW	RS		



SECTION E-E

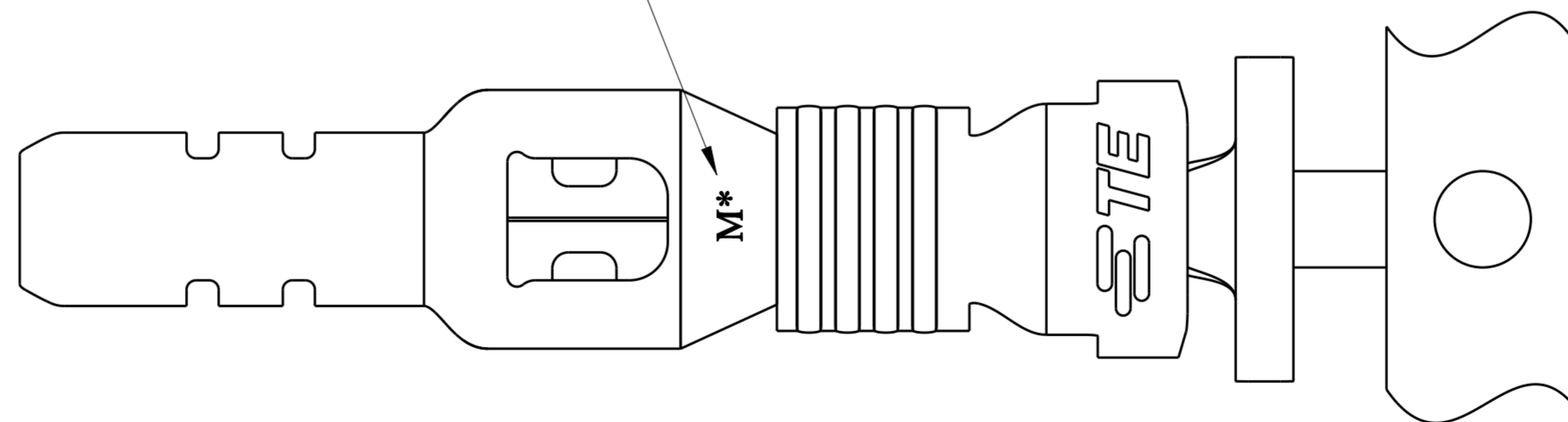


SECTION C-C



SECTION D-D

MATERIAL MARK



- 1 MATERIAL: COPPER ALLOY, PRE TIN PLATING
- 2 APPLICABLE WIRE 2X18AWG COPPER
- 3 APPLICABLE INSULATION DIAMETER: 2.65~2.95mm
- 4 APPLICABLE MATED CAP HOUSING P/N:
 -1971771-/*-1971774-*/*-1971874-*/
 -1971772-/*-1971775-*/*-1971875-*/
 -2232263-/*-2232264-*/*-2232356-*/
 -2232358-/*-2232359-*/*-2232360-*

HIGH(150°C)	M0	1971788-2
STANDARD(105°C)	M4	1971788-1
TEMP. RATING	MATERIAL MARK	PART NO

5. This product has not completed validation testing.

THIS DRAWING IS A CONTROLLED DOCUMENT.		DWN TOMMY WU 11JUL2012	STE TE Connectivity	
DIMENSIONS: mm		CHK HAPYE WU 11JUL2012		
TOLERANCES UNLESS OTHERWISE SPECIFIED:		APVD YUJHONG MAO 11JUL2012	NAME	
0 PLC ±-		PRODUCT SPEC	TAB CONTACT POWER TRIPLE LOCK	
1 PLC ±0.5		APPLICATION SPEC	-	
2 PLC ±0.30		108-106118	SIZE CAGE CODE DRAWING NO	
3 PLC ±		114-106118	A200779C-1971788	
4 PLC ±		WEIGHT	RESTRICTED TO	
ANGLES ±-		-	-	
FINISH		-	-	
MATERIAL		-	Customer Drawing	
		SCALE 5:1	SHEET 1 OF 1 REV D2	