

6 5 4 3 2 1

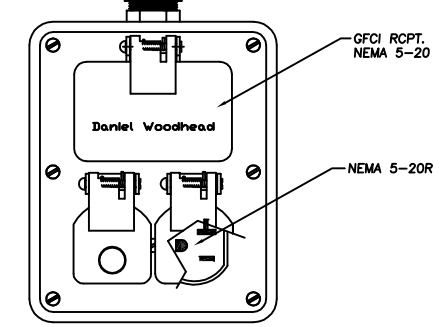
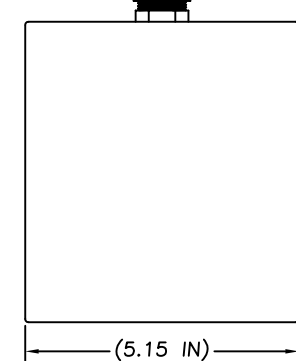
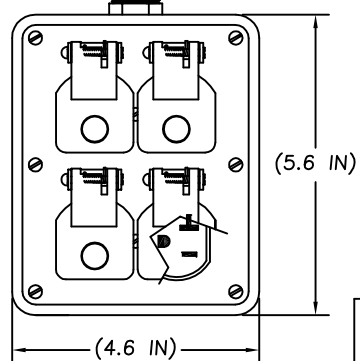
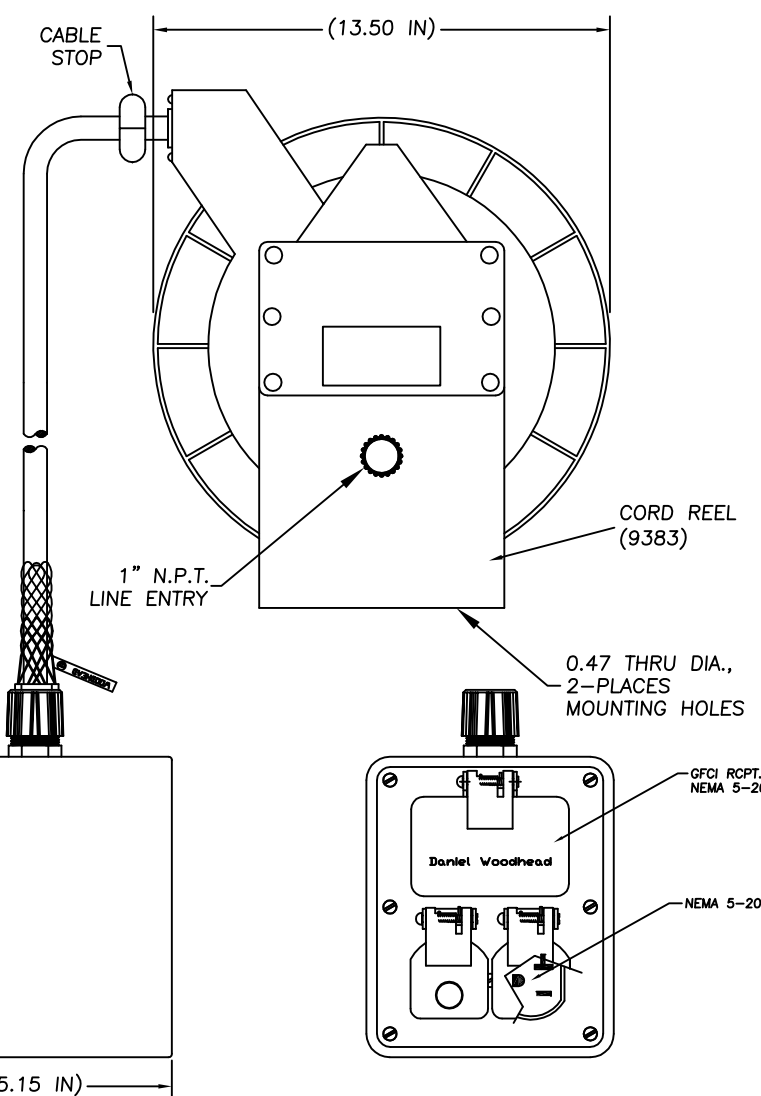
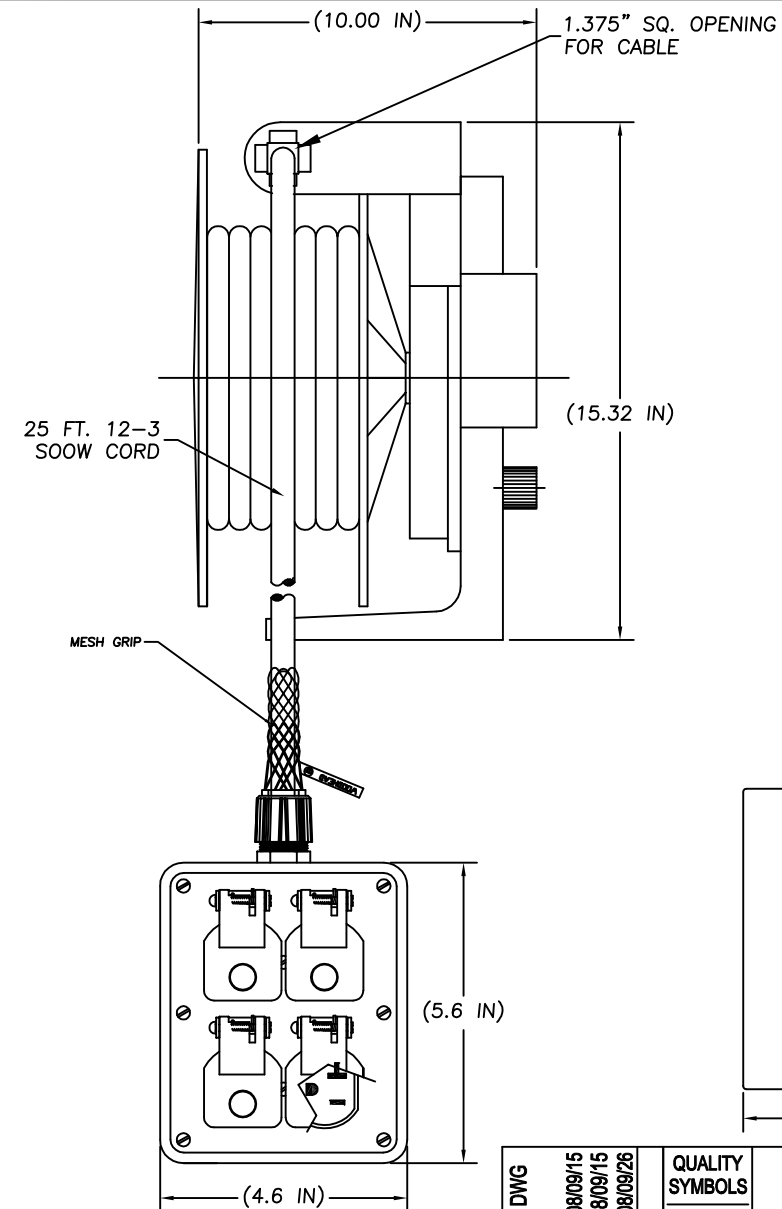
E

D

C

B

A



CUSTOMER APPROVAL DWG
 EC NO: WNA209-0192
 DRWN: HKNEELAN 2008/09/15
 CHKD: HKNEELAN 2008/09/15
 APPR: JPAWLICK 2008/09/26

QUALITY SYMBOLS
 ▽=0
 ▽/0

GENERAL TOLERANCES (UNLESS SPECIFIED)		
	mm	INCH
4 PLACES	±---	±---
3 PLACES	±---	±.005
2 PLACES	±---	±.010
1 PLACE	±---	±.020
ANGULAR ±1/2°		
DRAFT WHERE APPLICABLE MUST REMAIN WITHIN DIMENSIONS		

DIMENSION STYLE INCHES	
DRAWN BY	DATE
HK	2008/09/15
CHECKED BY	DATE
HK	2008/09/15
APPROVED BY	DATE
HK	2008/09/15
MATERIAL NO.	1300830868
SIZE	A

SCALE	DESIGN UNITS	THIRD ANGLE PROJECTION
NTS	INCH	☉
TITLE		
9383 OUTLET BOX GFCI NEMA 5-20R WIRE MESH GRIP		
MOLEX INCORPORATED		
DOCUMENT NO.	SD-130083-003	SHEET NO. 1 OF 1
THIS DRAWING CONTAINS INFORMATION THAT IS PROPRIETARY TO MOLEX INCORPORATED AND SHOULD NOT BE USED WITHOUT WRITTEN PERMISSION		

6 5 4 3 2 1