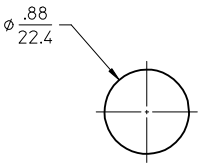
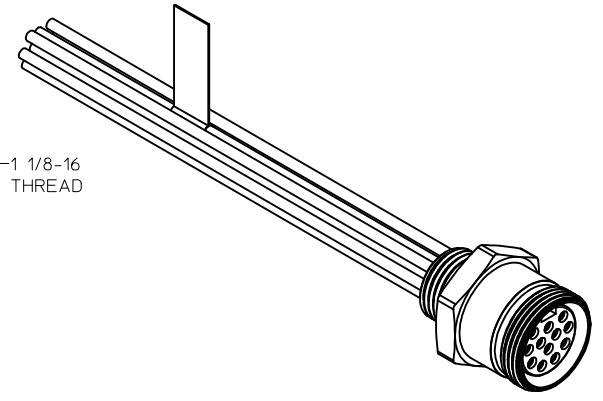
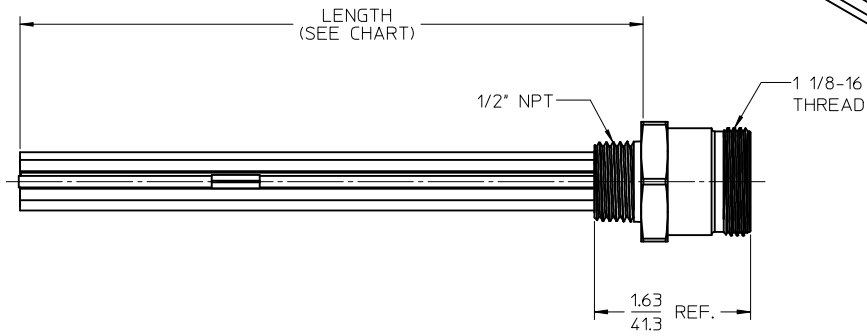


MATERIAL NO.	ENGINEERING NO.	LENGTH
1300150054	3R2004A20A120	12' +.75-0 [305mm +19.0-0]
1300150062	3R2004A20F060	6'0' +2.19-0 [ 1.8M +55.6-0]



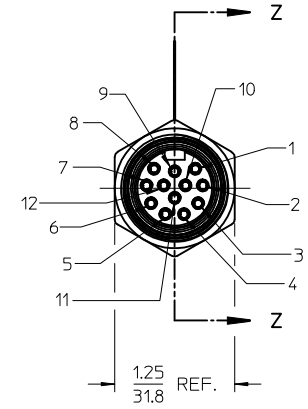
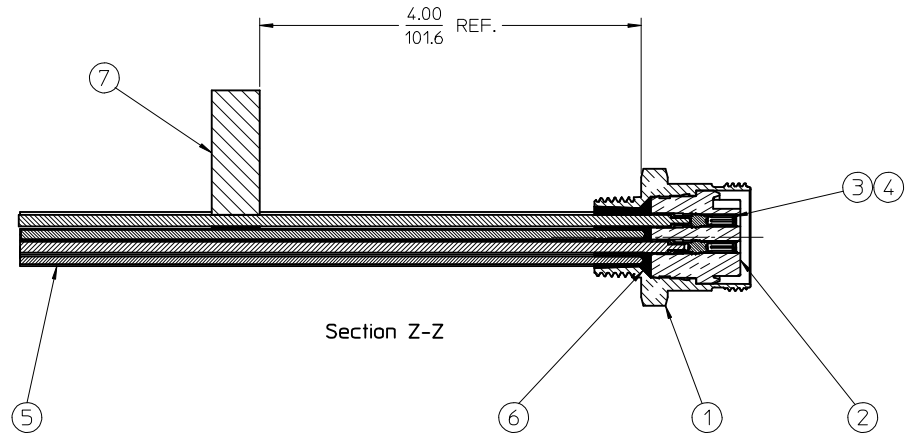
REF. KNOCK-OUT HOLE



- NOTES:
1. MATERIAL: SEE TABLE
  2. FINISHES: SEE TABLE
  3. MATES WITH: NONE
  4. ELECTRICAL SPECIFICATIONS:  
VOLTAGE RATING: 600V AC/DC  
CURRENT RATING: 5 AMPS
  5. RoHS COMPLIANT

1	ORANGE
2	BLUE
3	WHITE-BLACK
4	RED-BLACK
5	GREEN-BLACK
6	ORANGE-BLACK
7	BLUE-BLACK
8	BLACK-WHITE
9	GREEN-YELLOW
10	RED
11	WHITE
12	BLACK

WIRING DIAGRAM



ITEM	QTY.	DESCRIPTION	MATERIAL	FINISH
7	1	LABEL	PLASTIC FILM	BLACK/YELLOW
6	1	POTTING	EPOXY	
5	12	WIRE, 16 AWG (UL 1015)	PVC INSULATED	SEE WIRE DIAGRAM
4	12	SOCKET SLEEVE	ST.STEEL	
3	12	CONTACT SOCKET	BRASS	GOLD PLATED
2	1	INSERT	PVC	YELLOW
1	1	RECEPTACLE SHELL	ZINC ALLOY	BLACK

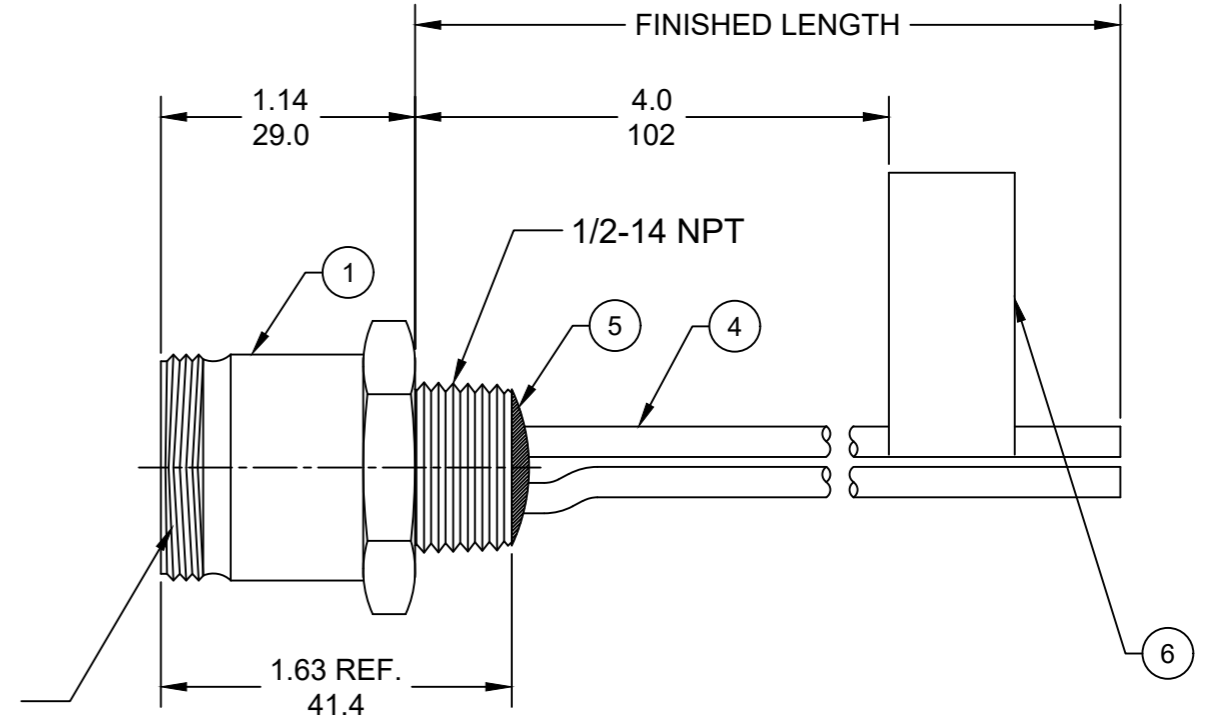
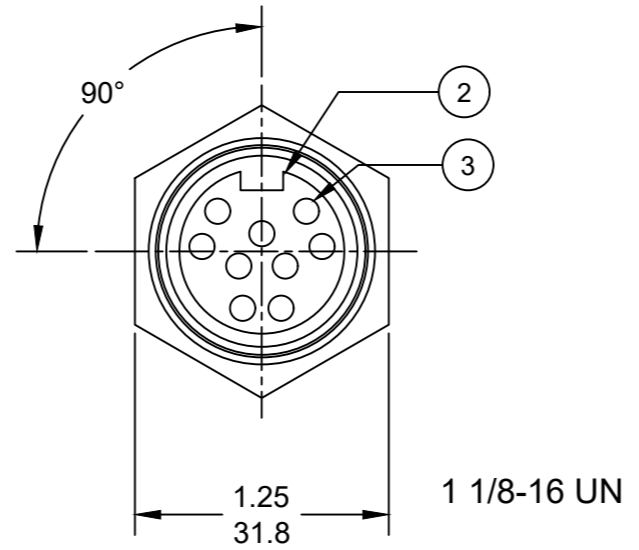
RELEASED	EC NO: MNA2010-0101	DRWR:RSTONE 2009/08/17	CHKD:B.WOODMAN	APPR:J.MURPHY 2009/08/21
REV	A	DESCRIPTION		

QUALITY SYMBOLS	GENERAL TOLERANCES (UNLESS SPECIFIED)	
	mm	INCH
▽=0	4 PLACES ± .005	± .005
▽=0	3 PLACES ± .005	± .005
	2 PLACES ± .005	± .01
	1 PLACE ± 0.3	± .005
	ANGULAR ± 1/2°	
	DRAFT WHERE APPLICABLE MUST REMAIN WITHIN DIMENSIONS	

DIMENSION STYLE		SCALE	DESIGN UNITS	THIRD ANGLE PROJECTION
IN/MM		1:1	INCH	
DRAWN BY	DATE	TITLE		
R.STONE	2009/08/17	MC RECEPTACLE, FEMALE 12 POLE, 1/2" NPT		
CHECKED BY	DATE	APPROVED BY		
B.WOODMAN	2009/08/17	J.MURPHY 2009/08/20		
MATERIAL NO.		DOCUMENT NO.		
SEE CHART		SD-130015-007		
SIZE	THIS DRAWING CONTAINS INFORMATION THAT IS PROPRIETARY TO MOLEX INCORPORATED AND SHOULD NOT BE USED WITHOUT WRITTEN PERMISSION			

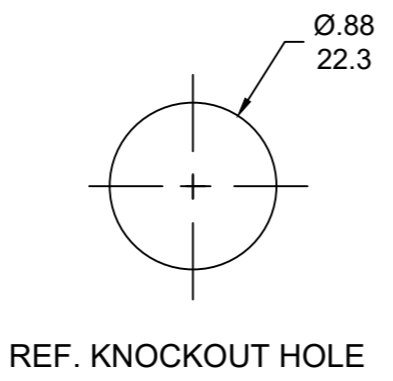
MOLEX INCORPORATED		SHEET NO.
SD-130015-007		1 OF 1

FACE VIEW-FEMALE INSERT		
1 ORANGE 2 BLUE 3 RED/BLACK 4 GREEN/BLACK 5 WHITE 6 RED 7 GREEN/YELLOW 8 WHITE/BLACK 9 BLACK	1 ORANGE 2 BLUE 3 WHITE/BLACK 4 RED/BLACK 5 GREEN/BLACK 6 ORANGE/BLACK 7 RED 8 GREEN/YELLOW 9 BLACK 10 WHITE	1 ORANGE 2 BLUE 3 WHITE/BLACK 4 RED/BLACK 5 GREEN/BLACK 6 ORANGE/BLACK 7 BLUE/BLACK 8 BLACK/WHITE 9 GREEN/YELLOW 10 RED 11 WHITE 12 BLACK



PART NO	ENGINEERING NO.	FINISHED LENGTH
1300150117	3R9004A20A120	12 IN [0.3M]
1300150038	3R1004A20F100	10 FT [3.0M]
1300150001	3R2004A20M060	6.0M [19 FT 8 IN]

- NOTES:
- MATERIAL: AS NOTED
  - FINISH: AS NOTED
  - ELECTRICAL:  
 VOLTAGE: 320V PER IEC60664  
 600V PER UL2238  
 CURRENT: 9 POLE: 7A  
 10 POLE: 7A  
 12 POLE: 5A
  - TEMP RATING: -20°TO +105°C
  - PROTECTION: IP67 (WHEN MATED)
  - UL RECOGNIZED, FILE: E152210  
 CSA CERTIFIED, FILE: LR6837 (C)
  - ALL DIMENSIONS ARE FOR REFERENCE UNLESS TOLERANCED OR NOTED OTHERWISE



PART NO. MATRIX  
**3R1004A20F010**

LENGTH:  
 A120= 12 INCHES  
 F001= .1 FT  
 F020= 2 FT  
 F200= 20 FT

M005= 0.5 METER  
 M010= 1 METER  
 M100= 10 METER

CABLE LENGTH TOLERANCES	
>.3M [1FT]:	+19mm-0 [+1.75in-0]
.3 - .9M [1 - 3FT]:	+44.5mm-0 [+1.75in-0]
.9 - 1.8M [3 - 6FT]:	+55.6mm-0 [+2.19in-0]
1.8 - 3.7M [6 - 12FT]:	+88.9mm-0 [+3.50in-0]
3.7 - 7.3M [12 - 24FT]:	+165.1mm-0 [+6.50in-0]
7.3-14.6M [24 - 48FT]:	+317.5mm-0 [+12.50in-0]
14.6 - 30.5M [48-100FT]:	+622.3mm-0 [+24.50in-0]
OVER 30M [100FT]	+2% OF FINISHED LENGTH

ITEM	DESCRIPTION	MATERIAL	FINISH
6	FLAG LABEL	VINYL	BLACK/YELLOW
5	POTTING MATERIAL	EPOXY	
4	WIRE, 16 AWG UL (1015)	PVC INSULATION	SEE CHART
3	CONTACT SOCKET	COPPER ALLOY	GOLD PLATED
2	FEMALE INSERT (C-SIZE)	TPE	YELLOW
1	RECEPTACLE SHELL	ZINC DIE-CAST	BLACK

(C)

FUNCTIONAL SYMBOLS	THIS DRAWING CONTAINS INFORMATION THAT IS PROPRIETARY TO MOLEX ELECTRONIC TECHNOLOGIES, LLC AND SHOULD NOT BE USED WITHOUT WRITTEN PERMISSION			
	DIMENSION UNITS	SCALE		
DIVISIONAL SYMBOLS	INCH/MM	NTS	CURRENT REV DESC: ITEM #2 WAS PVC, ADDED CSA IN NOTES AND MODIFIED MATERIAL TABLE	
	GENERAL TOLERANCES (UNLESS SPECIFIED)		EC NO: 641453	
FUNCTIONAL SYMBOLS	4 PLACES	±----	DRWN: ABENJAMINLW	2020/06/25
	3 PLACES	±----	CHK'D: RSTONE	2020/07/20
	2 PLACES	±----	APPR: BWOODMAN	2020/07/27
	1 PLACE	±----	INITIAL REVISION:	
FUNCTIONAL SYMBOLS	0 PLACES	±----	DRWN: RSTONE	2016/07/11
	ANGULAR TOL ± 2.0 °		APPR: TWOLDEGE	2016/08/19
DRAFT WHERE APPLICABLE MUST REMAIN WITHIN DIMENSIONS		THIRD ANGLE PROJECTION	DRAWING	SERIES
			B-SIZE	130015
DOCUMENT STATUS P1		RELEASE DATE	2020/07/27	17:35:18
			SEE_CHART	GENERAL MARKET
			SD-130015-026	PSD 001 C
				1 OF 1