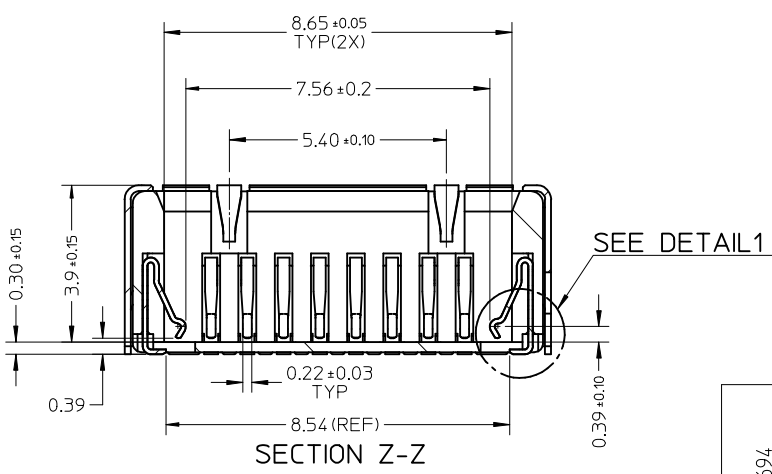
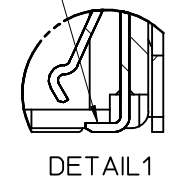


NO SOLDER PASTE  
AND WICKING ALLOWED.



NOTES:

- MATERIALS  
HOUSING: LCP, BLACK, UL94 V-0  
TERMINAL: COPPER ALLOY.  
SHELL: SEE CHART.
- FINISH  
TERMINAL: 2-4 MICROMETER NICKEL UNDERPLATING OVERALL,  
GOLD PLATING 0.3 MICROMETER ON CONTACT AREA,  
GOLD FLASH PLATING ON SOLDER AREA.  
SHELL:SEE CHART.
- PRODUCT SPECIFICATION: PS-105028-001
- PAKAGING: TAPE&REEL
- COPLANALITY TO BE 0.08MM MAX.
- APPLICABLE CAMERA MODULE SEE SHEET 3.

P/N	SHELL MATERIAL	SHELL FINISH
1050280010	NICKEL SILVER	NON PLATED
1050280001	COPPER ALLOY	GOLD FLASH ON SOLDERING AREA OVER 1.27 MICRON MIN. NICKEL UNDER PLATING

RELEASE  
EC NO: SHZ009-0694  
2009/05/07  
DRW:WFDENG  
CHKD:WFDENG  
2009/05/08  
APPR:  
A

QUALITY SYMBOLS  
▽=0  
◻=0  
DESCRIPTION  
REV

GENERAL TOLERANCES (UNLESS SPECIFIED)	
	mm INCH
4 PLACES	± --- ± ---
3 PLACES	± --- ± ---
2 PLACES	± 0.10 ± ---
1 PLACE	± 0.15 ± ---
ANGULAR ± 1 °	
DRAFT WHERE APPLICABLE MUST REMAIN WITHIN DIMENSIONS	

DIMENSION STYLE  
MM ONLY  
DRAWN BY  
PATRICK CHU  
DATE  
2007/06/16  
CHECKED BY  
YLZHU  
DATE  
2007/06/16  
APPROVED BY  
HWANG  
DATE  
2007/06/16  
MATERIAL NO.  
1050280001

SCALE  
8:1  
DESIGN UNITS  
METRIC  
THIRD ANGLE PROJECTION  
TITLE  
8.5\*8.5 CAMERA SOCKET  
SIDE CONTACT TYPE  
TOP MOUNT  
MOLEX INCORPORATED  
DOCUMENT NO.  
SD-105028-001  
SHEET NO.  
1 OF 3  
THIS DRAWING CONTAINS INFORMATION THAT IS PROPRIETARY TO MOLEX INCORPORATED AND SHOULD NOT BE USED WITHOUT WRITTEN PERMISSION

10 9 8 7 6 5 4 3 2 1

F

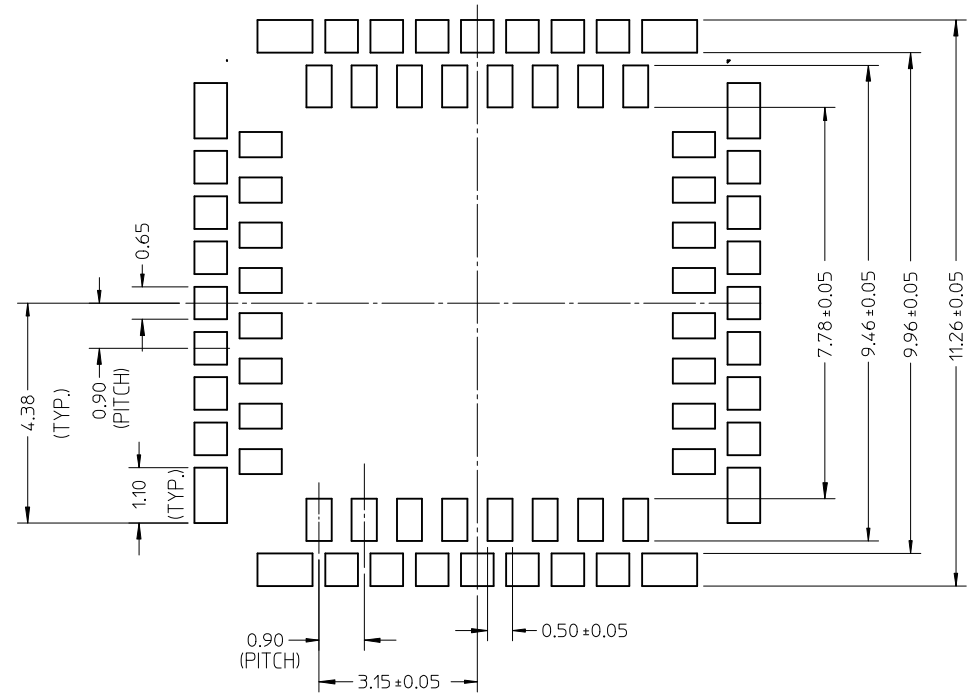
E

D

C

B

A

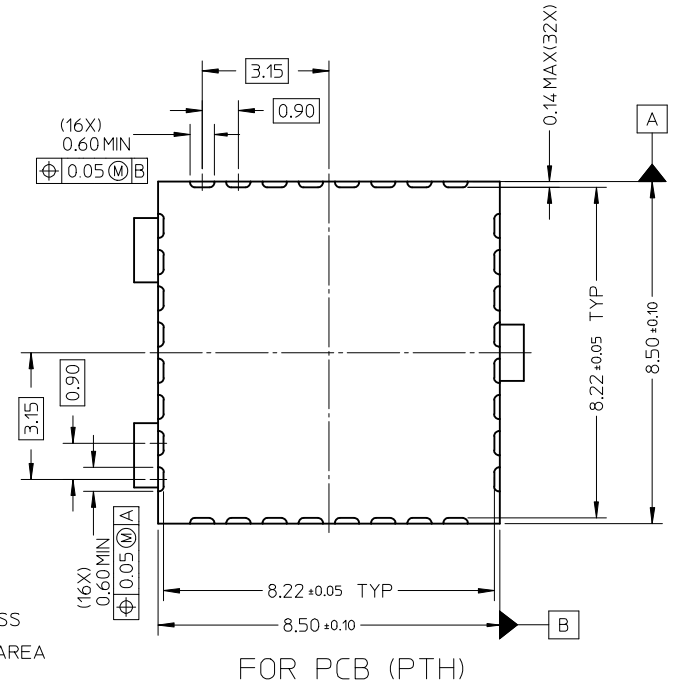
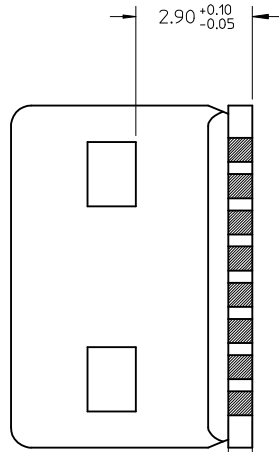
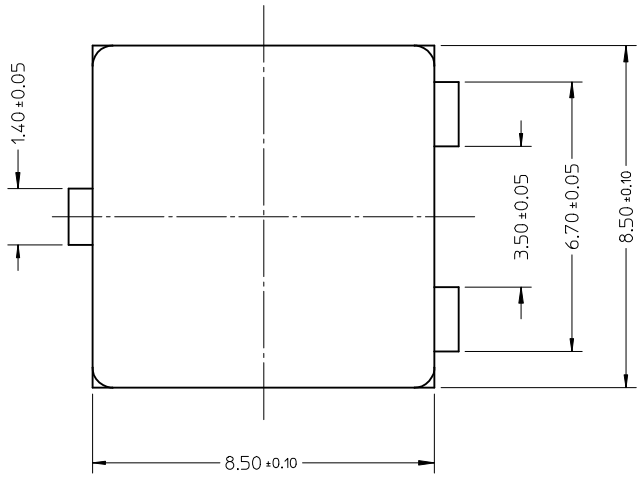


RECOMMENDED PCB LAYOUT  
TOLERANCE ±0.05 MM

<b>PROPOSAL</b> EC NO: SH2009-0694 DRW: WFDENG 2009/05/07 CHK: WFDENG 2009/05/08 APPR:	QUALITY SYMBOLS ▽=0 ◻=0	GENERAL TOLERANCES (UNLESS SPECIFIED)		DIMENSION STYLE <b>MM ONLY</b>	SCALE <b>10:1</b>	DESIGN UNITS <b>METRIC</b>	THIRD ANGLE PROJECTION	
	DESCRIPTION <b>A</b>	mm      INCH	DRAWN BY      DATE PATRICK CHU    2007/06/16		TITLE <b>8.5*8.5 CAMERA SOCKET SIDE CONTACT TYPE TOP MOUNT</b>			
		4 PLACES ± --- ± --- 3 PLACES ± --- ± --- 2 PLACES ± 0.10 ± --- 1 PLACE ± 0.15 ± --- ANGULAR ± 1°	CHECKED BY      DATE YLZHU            2007/06/16		MOLEX INCORPORATED			
		DRAFT WHERE APPLICABLE MUST REMAIN WITHIN DIMENSIONS	APPROVED BY      DATE HWANG            2007/06/16		MATERIAL NO. <b>1050280001</b>	DOCUMENT NO. <b>SD-105028-001</b>	SHEET NO. <b>2 OF 3</b>	
		SIZE <b>A3</b>		THIS DRAWING CONTAINS INFORMATION THAT IS PROPRIETARY TO MOLEX INCORPORATED AND SHOULD NOT BE USED WITHOUT WRITTEN PERMISSION				

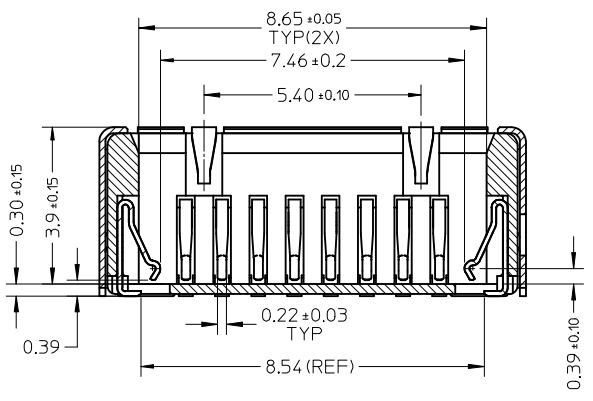
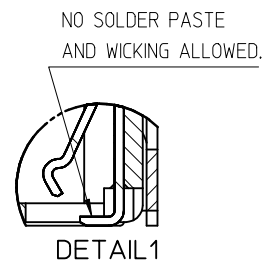
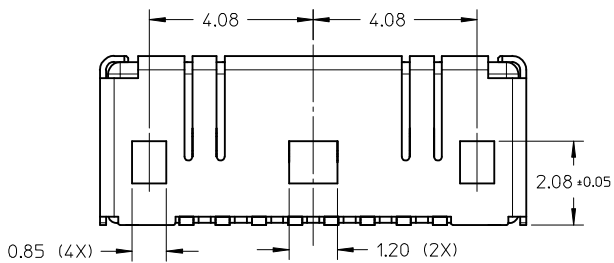
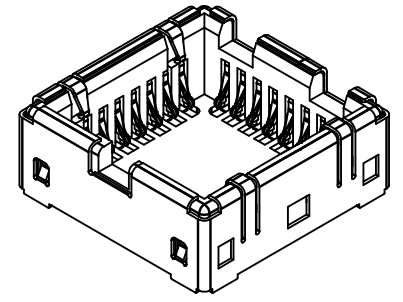
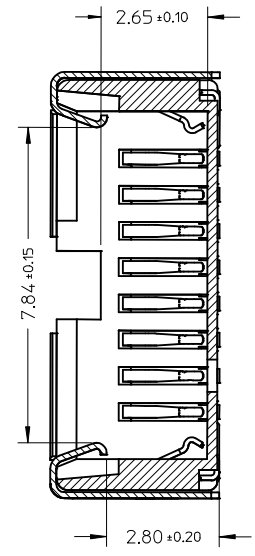
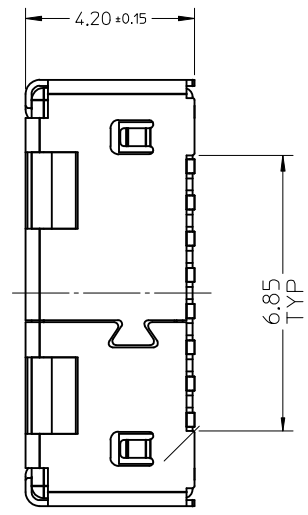
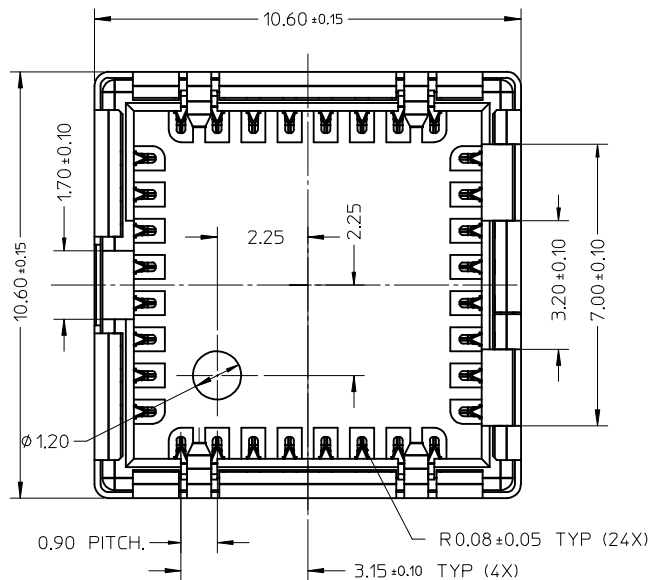
9 8 7 6 5 4 3 2 1

# APPLIED CAMERA MODULE



FOR PCB (PTH)

<b>PROPOSAL</b> EC NO: SHZ009-0694 DRW:WFDENG 2009/05/07 CHK:DWFENG 2009/05/08 APPR:HWANG 2009/05/11	DESCRIPTION REV	QUALITY SYMBOLS	GENERAL TOLERANCES (UNLESS SPECIFIED)	DIMENSION STYLE	SCALE	DESIGN UNITS	THIRD ANGLE PROJECTION
		$\blacktriangledown = 0$ $\triangleleft = 0$	mm      INCH 4 PLACES $\pm \text{---}$ $\pm \text{---}$ 3 PLACES $\pm \text{---}$ $\pm \text{---}$ 2 PLACES $\pm 0.10$ $\pm \text{---}$ 1 PLACE $\pm 0.15$ $\pm \text{---}$ ANGULAR $\pm 1^\circ$	MM ONLY	8:1	METRIC	$\odot \ \square$
			DRAFT WHERE APPLICABLE MUST REMAIN WITHIN DIMENSIONS	DRAWN BY: PATRICK CHU    DATE: 2007/06/16 CHECKED BY: YLZHU        DATE: 2007/06/16 APPROVED BY: HWANG        DATE: 2007/06/16 MATERIAL NO. 1050280001	TITLE: 8.5*8.5 CAMERA SOCKET SIDE CONTACT TYPE TOP MOUNT MOLEX INCORPORATED DOCUMENT NO. SD-105028-001	SHEET NO. 3 OF 3	
				SIZE: A3 THIS DRAWING CONTAINS INFORMATION THAT IS PROPRIETARY TO MOLEX INCORPORATED AND SHOULD NOT BE USED WITHOUT WRITTEN PERMISSION			

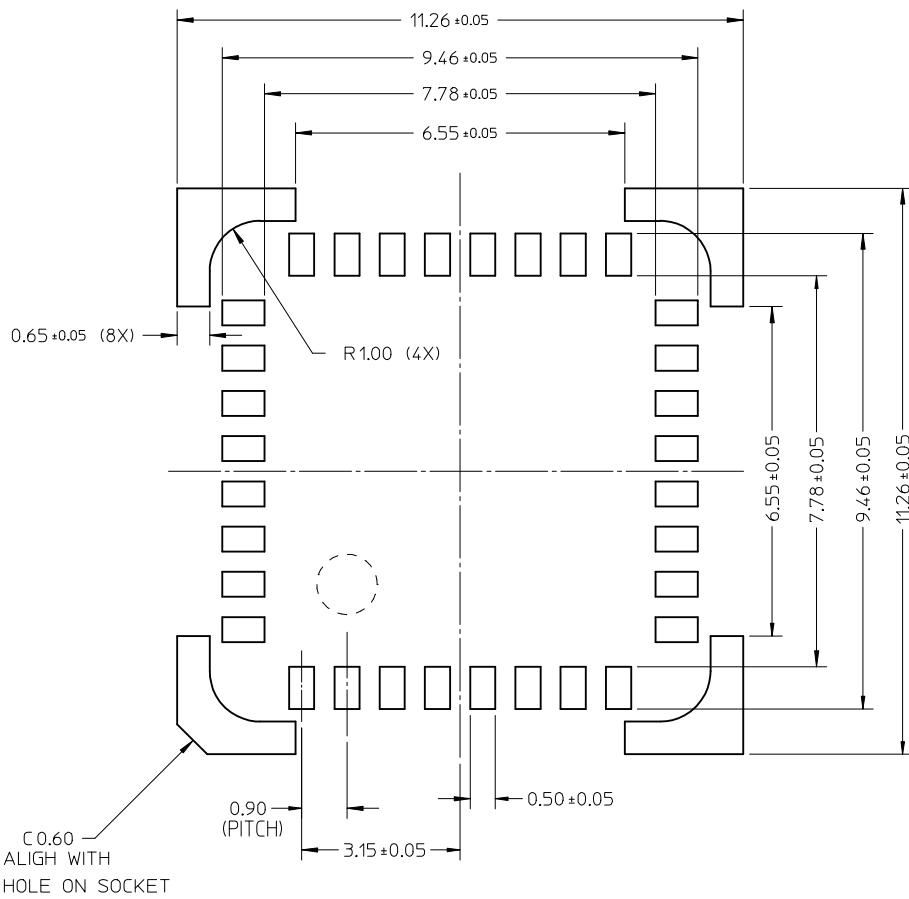


SECTION Z-Z

- NOTES:
- MATERIALS  
HOUSING: LCP, BLACK, UL94 V-0  
TERMINAL: COPPER ALLOY.  
SHELL: COPPER ALLOY
  - FINISH  
TERMINAL: 2-4 MICROMETER NICKEL UNDERPLATING OVERALL,  
GOLD PLATING 0.3 MICROMETER ON CONTACT AREA,  
GOLD FLASH PLATING ON SOLDER AREA.  
SHELL: SEE THE TABLE OF PAGE 2
  - PAKAGING: TAPE&REEL
  - COPLANALITY TO BE 0.08MM MAX.
  - APPLICABLE CAMERA MODULE SEE SHEET 3.

ADD PLATING TYPE EC NO: SH2015-0274 DRWN: JHU0 2015/01/14 CHKD: APPR: AYIN 2015/04/08 REV	QUALITY SYMBOLS	GENERAL TOLERANCES (UNLESS SPECIFIED)	DIMENSION STYLE	SCALE	DESIGN UNITS	THIRD ANGLE PROJECTION
	$F_{\sigma} = 0$ $F_{\sigma} = 0$ $F_{\sigma} = 0$	mm INCH 4 PLACES ± --- ± --- 3 PLACES ± --- ± --- 2 PLACES ± 0.10 ± --- 1 PLACE ± 0.15 ± --- 0 PLACE ± --- ± ---	MM ONLY	8:1	METRIC	
	DESCRIPTION	ANGULAR ± 1 °	DRAWN BY	DATE	TITLE	8.5*8.5 CAMERA SOCKET SIDE CONTACT TYPE TOP MOUNT <b>molex</b>
	DRAFT WHERE APPLICABLE MUST REMAIN WITHIN DIMENSIONS	SEE TABLE	ERIC CHENG	2009/07/15	SD-105028-301	
	MATERIAL NO. DOCUMENT NO.	SIZE A3	THIS DRAWING CONTAINS INFORMATION THAT IS PROPRIETARY TO MOLEX INCORPORATED AND SHOULD NOT BE USED WITHOUT WRITTEN PERMISSION			

10 9 8 7 6 5 4 3 2 1



RECOMMENDED PCB LAYOUT  
TOLERANCE ±0.05 MM

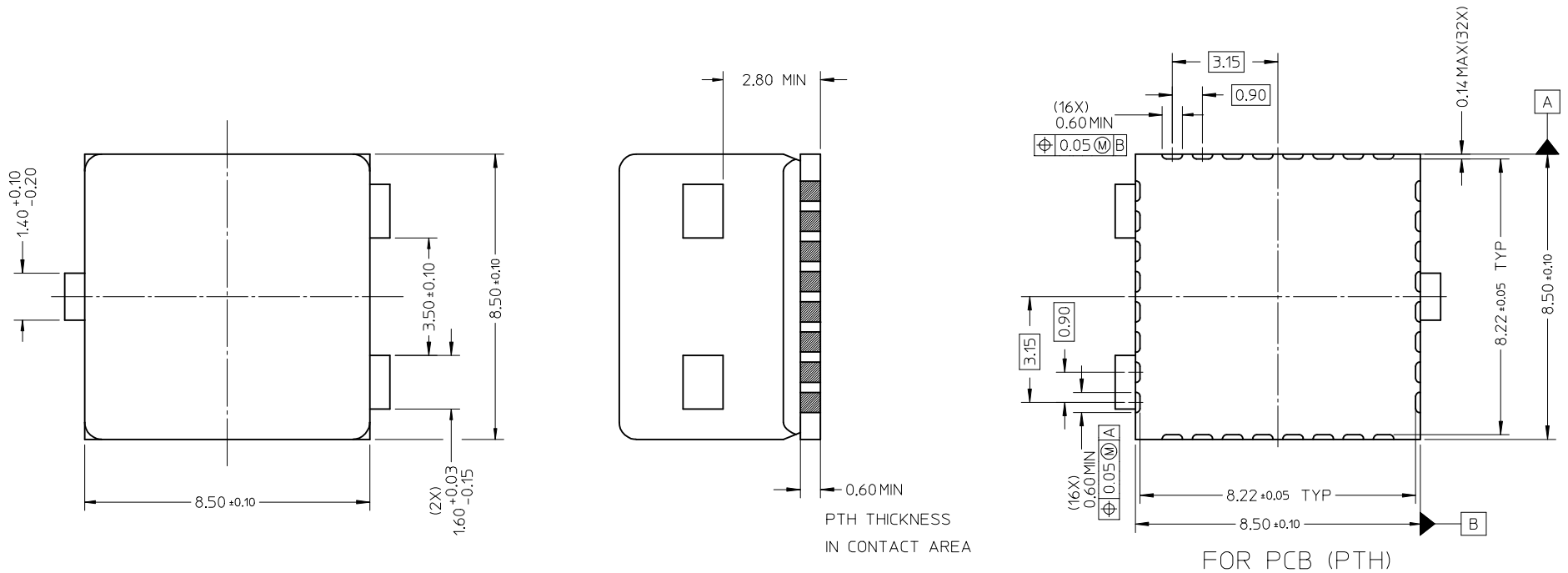
OPTION	PART NO.	PLATING SPECIFICATION
1	1050283001	1.27 MICRON MIN NICKEL UNDERPLATING OVERALL GOLD FLASH ON SOLDERING AREA
2	1050283011	1.27 MICRON MIN NICKEL UNDERPLATING OVERALL 1.5 MICRON MIN MATTE TIN ON SOLDERING AREA
3	1050283021	1.27 MICRON MIN SOLDERABILITY NICKEL OVERALL

SHELL PLATING TYPE

<b>ADD PLATING TYPE</b> EC NO: SH2015-0274 DRWN: JRU0 2015/01/14 CHKD: APPR: AYIN 2015/04/08	QUALITY SYMBOLS $F_{\Delta} = 0$ $F_{\square} = 0$ $F_{\square} = 0$	GENERAL TOLERANCES (UNLESS SPECIFIED) mm INCH 4 PLACES ± --- ± --- 3 PLACES ± --- ± --- 2 PLACES ± 0.10 ± --- 1 PLACE ± 0.15 ± --- 0 PLACE ± --- ± ---	DIMENSION STYLE <b>MM ONLY</b> DRAWN BY DATE ERIC CHENG 2009/07/15 CHECKED BY DATE WFDENG 2009/07/15 APPROVED BY DATE WFDENG 2009/07/15	SCALE <b>10:1</b> DESIGN UNITS <b>METRIC</b> THIRD ANGLE PROJECTION	TITLE <b>8.5*8.5 CAMERA SOCKET SIDE CONTACT TYPE TOP MOUNT</b> <b>molex</b>	
	MATERIAL NO. DOCUMENT NO. SHEET NO. SEE TABLE SD-105028-301 2 OF 3	DRAFT WHERE APPLICABLE MUST REMAIN WITHIN DIMENSIONS		THIS DRAWING CONTAINS INFORMATION THAT IS PROPRIETARY TO MOLEX INCORPORATED AND SHOULD NOT BE USED WITHOUT WRITTEN PERMISSION		
	ANGULAR ± 1 °		DRAFT WHERE APPLICABLE MUST REMAIN WITHIN DIMENSIONS			
	SIZE <b>A3</b>					

9 8 7 6 5 4 3 2 1

# APPLIED CAMERA MODULE



<b>ADD PLATING TYPE</b> EC NO: SH2015-0274 DRW:WJHUO 2015/01/14 CHKD: APPR:AYIN 2015/04/08	QUALITY SYMBOLS $F_{\Delta} = 0$ $F_{\square} = 0$ $F_{\nabla} = 0$	GENERAL TOLERANCES (UNLESS SPECIFIED)		DIMENSION STYLE <b>MM ONLY</b>		SCALE <b>8:1</b>	DESIGN UNITS <b>METRIC</b>	THIRD ANGLE PROJECTION		
			mm	INCH	DRAWN BY	DATE	TITLE			
		4 PLACES	± ---	± ---	ERIC CHENG	2009/07/15	<b>8.5*8.5 CAMERA SOCKET                  SIDE CONTACT TYPE                  TOP MOUNT</b>			
		3 PLACES	± ---	± ---	WFDENG	2009/07/15				
	± 0.10	± ---	APPROVED BY	DATE	<b>molex</b>					
2 PLACES	± 0.15	± ---	WFDENG	2009/07/15						
	± ---	± ---	MATERIAL NO.		DOCUMENT NO.					
	ANGULAR ± 1 °		SEE TABLE		SD-105028-301					
DRAFT WHERE APPLICABLE MUST REMAIN WITHIN DIMENSIONS		SIZE A3		THIS DRAWING CONTAINS INFORMATION THAT IS PROPRIETARY TO MOLEX INCORPORATED AND SHOULD NOT BE USED WITHOUT WRITTEN PERMISSION						