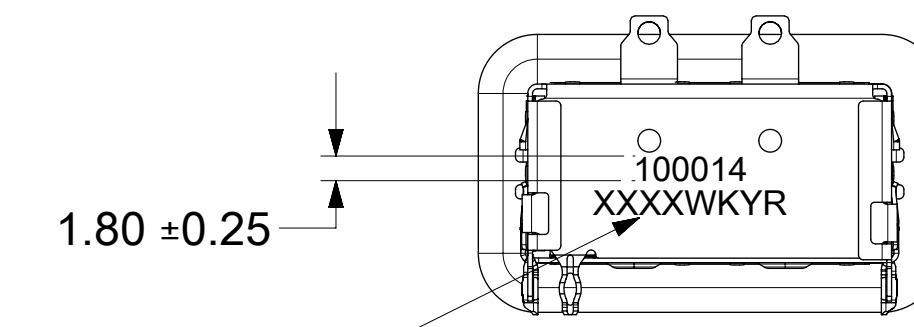
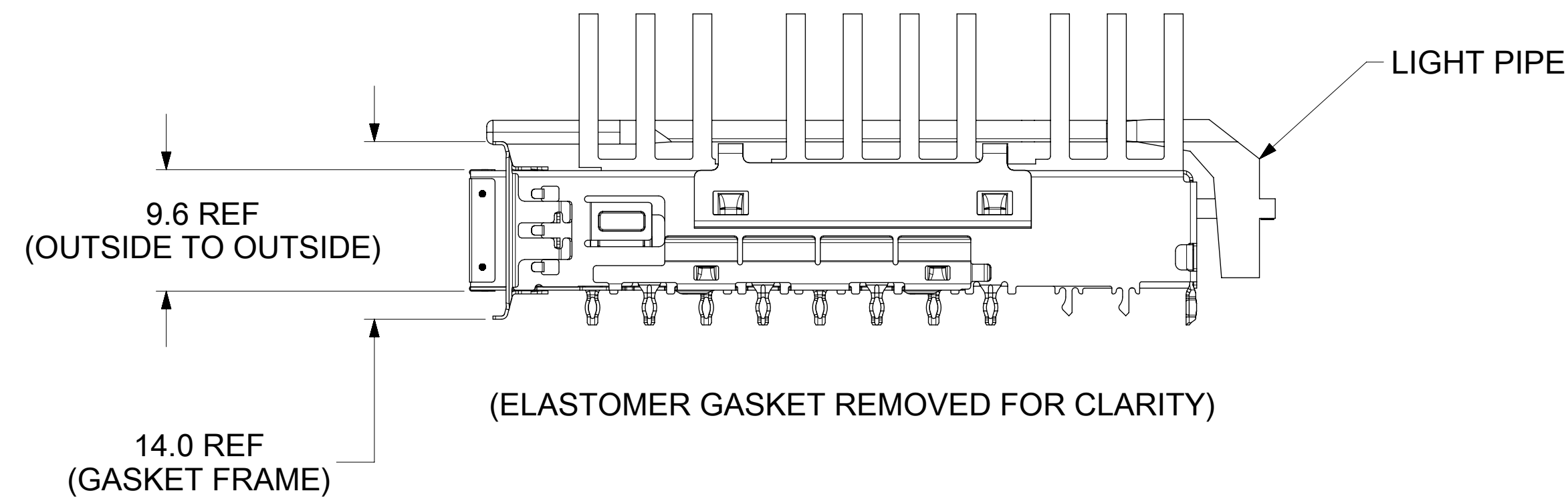
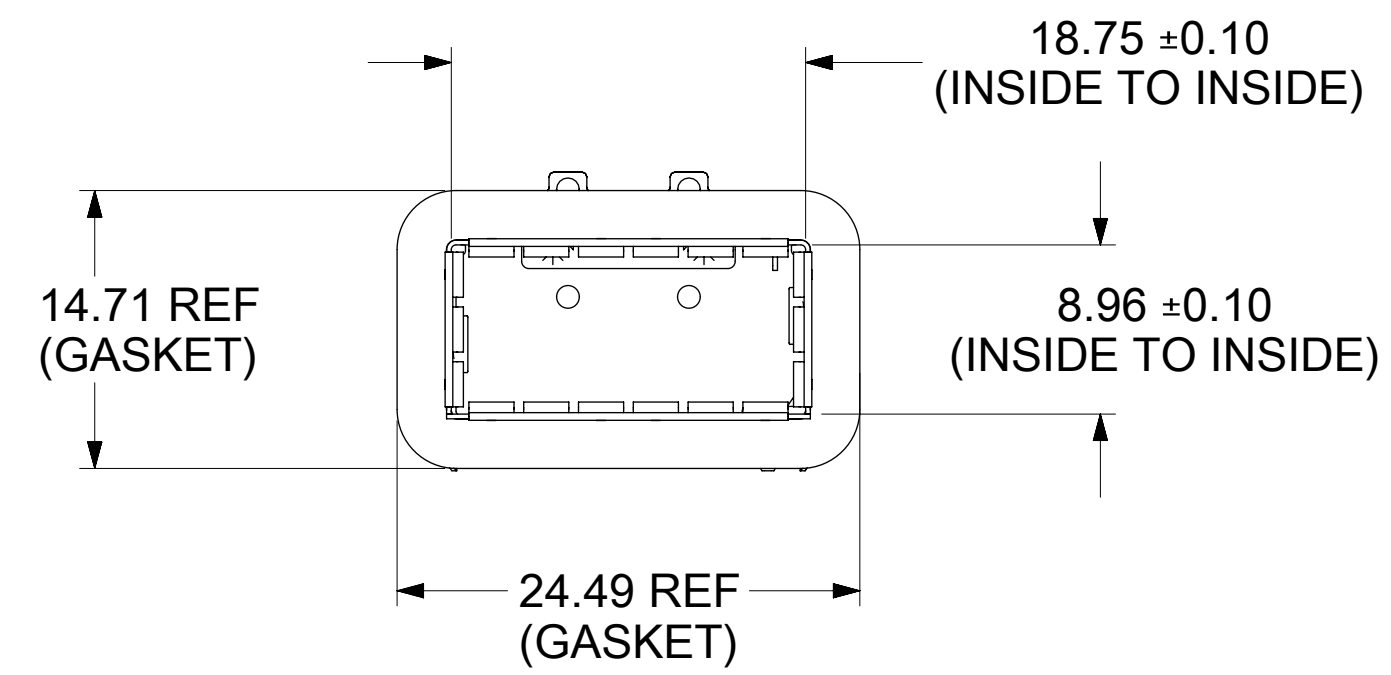
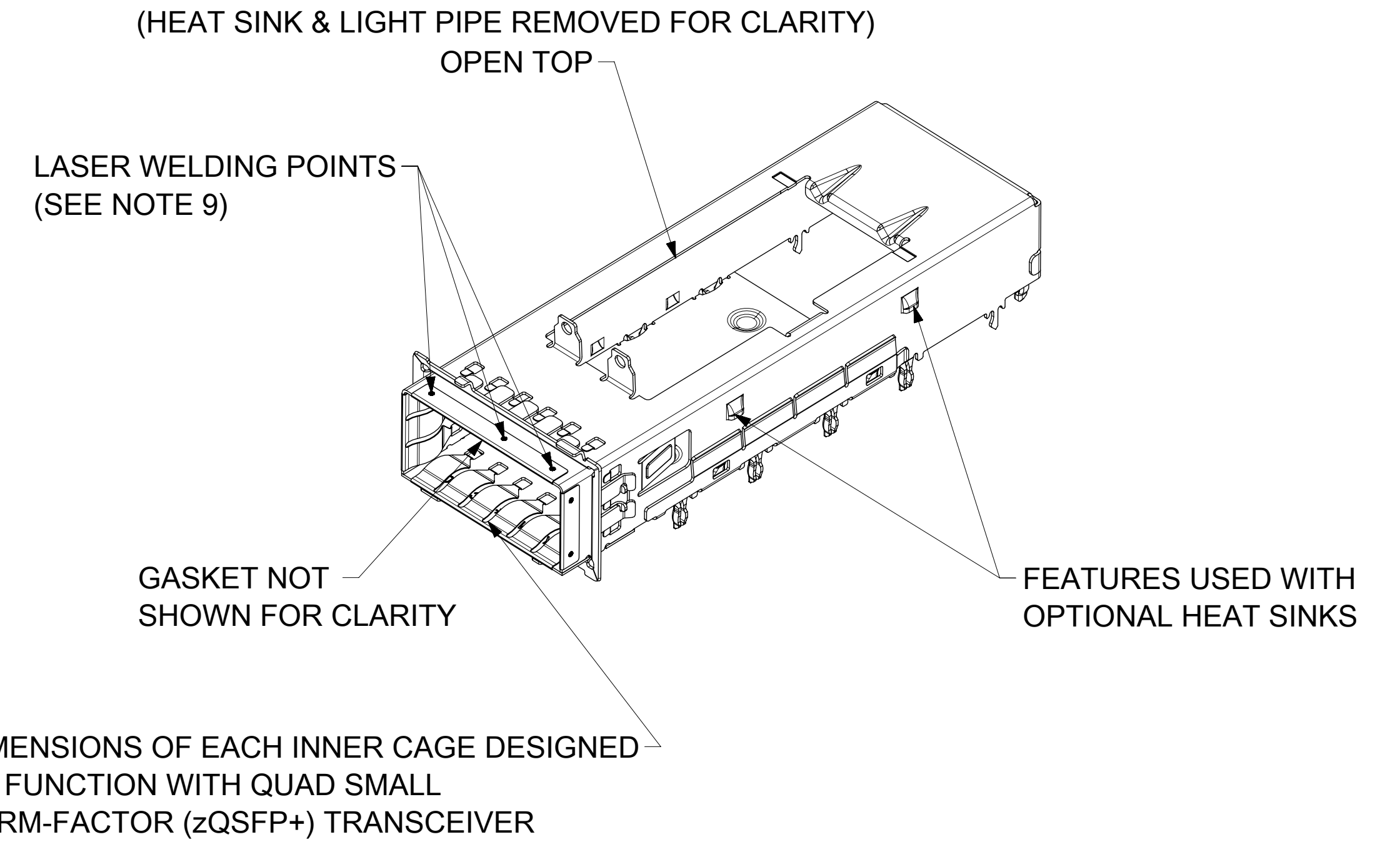
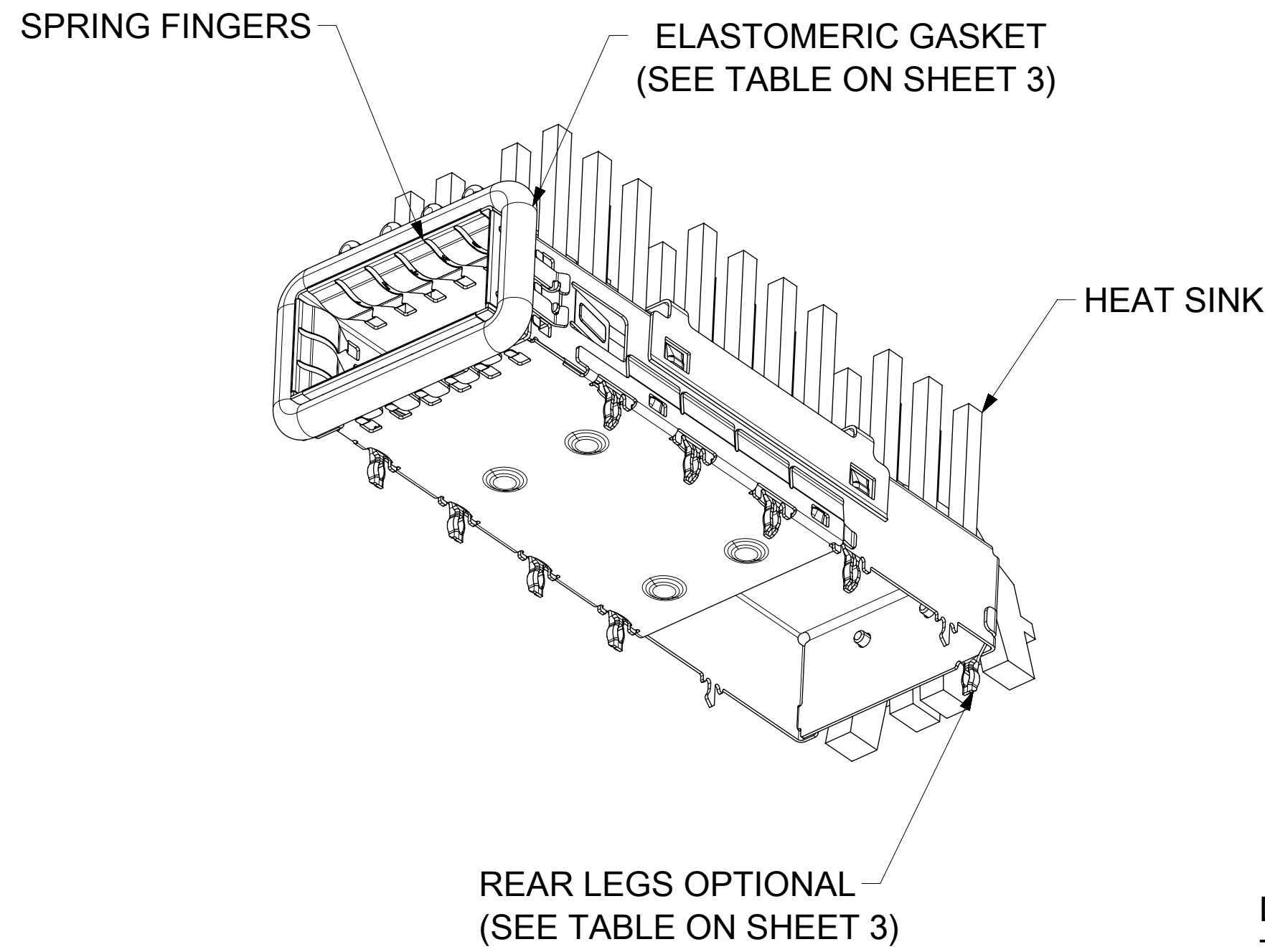
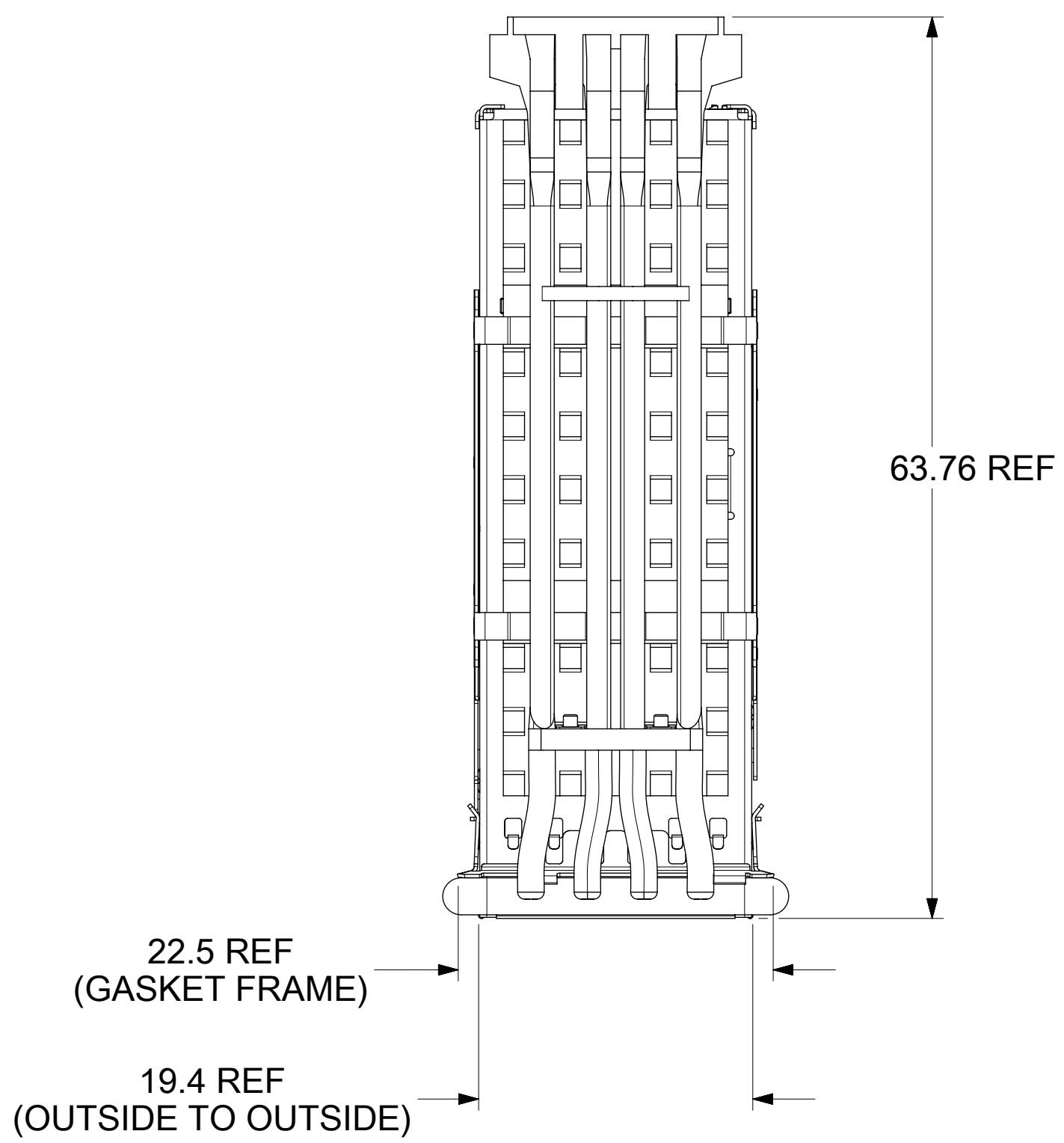


# BASE CAGE DETAILS

1000143748

SHOWN



P/N AND WEEK/YEAR DATE CODE TO BE PRINTED ON BACK OF COMPLETED CAGE ASSEMBLY APPROXIMATELY AS SHOWN. SEE TABLE BELOW FOR DATE CODE INFORMATION.

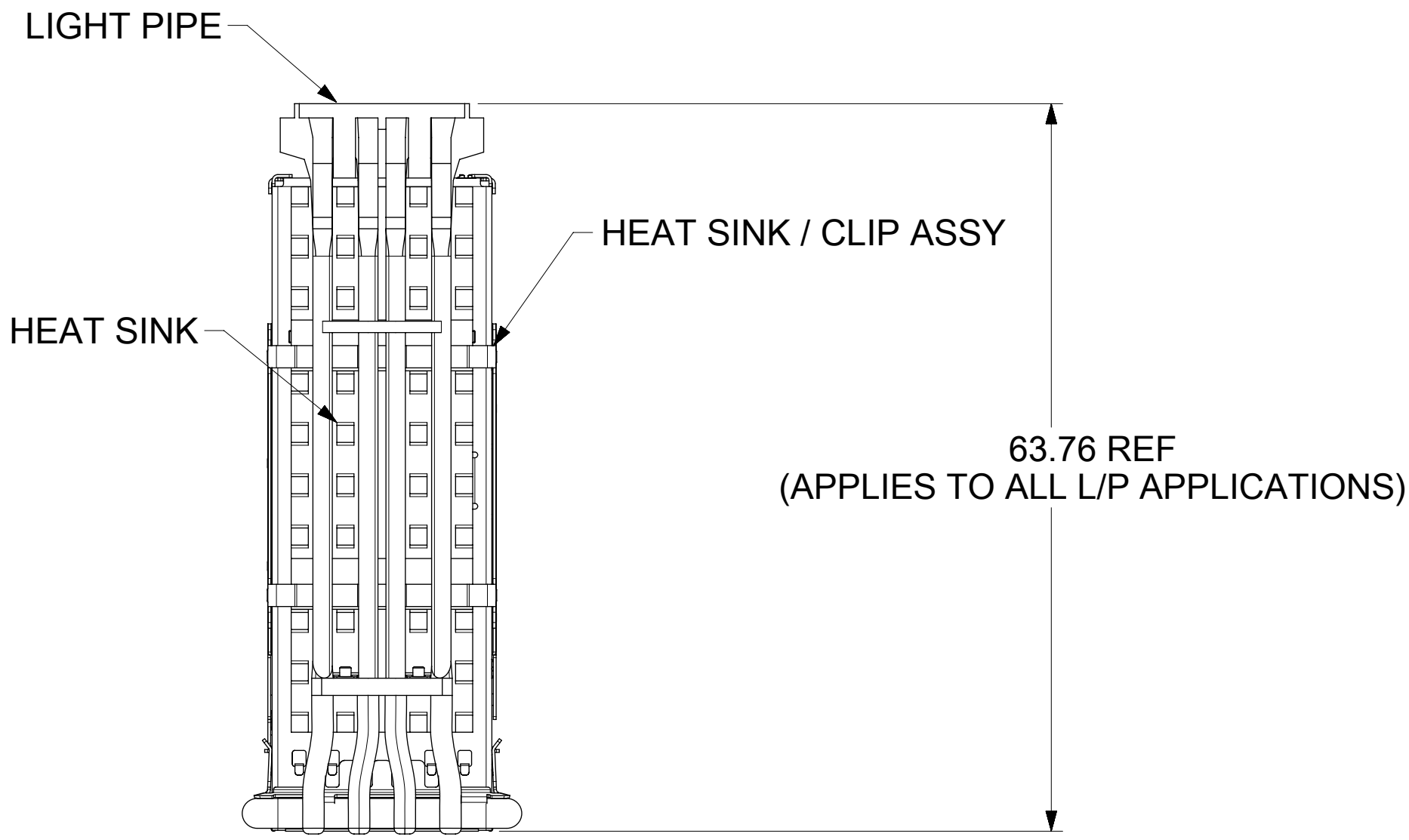
**NOTES:**

- MATERIAL: CAGE: STAINLESS STEEL  
 SPRING FINGERS: STAINLESS STEEL  
 GASKET FLANGE: STAINLESS STEEL  
 HEAT SINKS: NICKEL PLATED ALUMINUM  
 HEAT SINK CLIP: STAINLESS STEEL  
 LIGHT PIPES: POLYCARBONATE (UL 94-V-0)  
 GASKET: ELASTOMERIC (UL 94-V-0)
- DIMENSIONS MARKED ARE CRITICAL TO FUNCTION OF THE PART AND MUST BE INSPECTED
- DRAWING APPLIES TO ALL P/N'S SHOWN ON PAGE 3
- DURING INCOMING INSPECTION, CAGE LEG LOCATIONS AND STRAIGHTNESS MUST BE CHECKED USING APPROPRIATE GO - NO GO GAGE
- DURING INCOMING INSPECTION, CAGE MUST BE INSPECTED TO MAKE SURE LEG CONFIGURATIONS AND PART NUMBERS ARE CORRECT, USE SHEET 3, 4, 5 & 6
- PARTS TO BE INSPECTED PER MOLEX COSMETIC SPEC WI-HP-7-2774 (CLASS B UNLESS OTHERWISE SPECIFIED)
- PRESS-FIT LEGS 2.44 [0.096] LONG -  
 1.57 MINIMUM PCB THICKNESS FOR SINGLE SIDED USE.  
 2.70 MINIMUM PCB THICKNESS FOR BELLY TO BELLY USE.
- NO RoHS EXEMPTIONS
- WELD SPOTS MAY SHOW SLIGHT MATERIAL DISCOLORATION.

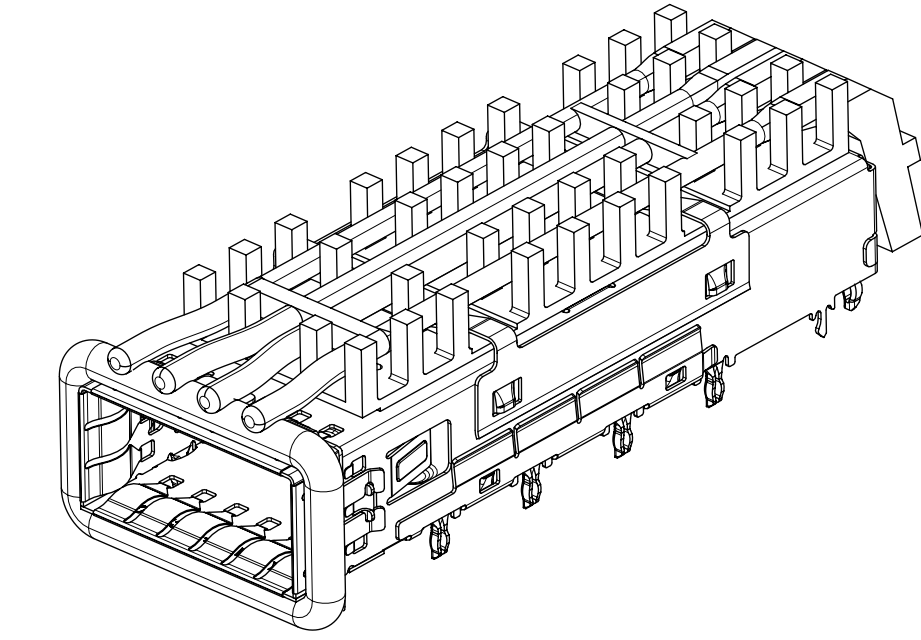
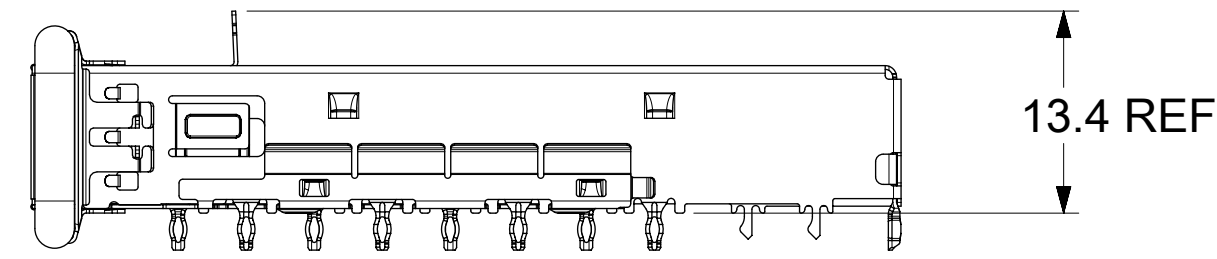
WEEK/YEAR DATE CODE TABLE	
WK	WEEK OF THE YEAR 01 THRU 52 OR 53 (EXAMPLE: 01= FIRST WEEK OF YEAR, 52 OR 53 = LAST WEEK OF YEAR)
YR	22, 23, 24 ETC.. (EXAMPLE: YEAR 2022= 22)

THIS DRAWING CONTAINS INFORMATION THAT IS PROPRIETARY TO MOLEX ELECTRONIC TECHNOLOGIES, LLC AND SHOULD NOT BE USED WITHOUT WRITTEN PERMISSION													
DIMENSION UNITS	SCALE	CURRENT REV DESC: SEE REVISION TABLE											
mm	2.5:1	<p>1X1 ZQSFP+ CAGE ASSY, GASKET TYPE W/ SUS INNER SPRING FINGER, HEATSINK AND QUAD LIGHT PIPE</p> <p>PRODUCT CUSTOMER DRAWING</p>											
GENERAL TOLERANCES (UNLESS SPECIFIED)													
ANGULAR TOL	± 2.0°												
4 PLACES	±												
3 PLACES	±												
2 PLACES	± 0.13												
1 PLACE	± 0.25	EC NO: 712623	2022/05/30		DRWN: CHETHH2 CHK'D: TKUMARKC APPR: SCHIEN			DOCUMENT NUMBER		DOC TYPE	DOC PART	REVISION	
0 PLACES	±	INITIAL REVISION:	2022/07/07					1000143748			PSD	ASY	A
DRAFT WHERE APPLICABLE MUST REMAIN WITHIN DIMENSIONS		THIRD ANGLE PROJECTION	DRAWING	SERIES				MATERIAL NUMBER		CUSTOMER		SHEET NUMBER	
			D-SIZE	100014	SEE P/N TABLE		GENERAL MARKET		1 OF 7				

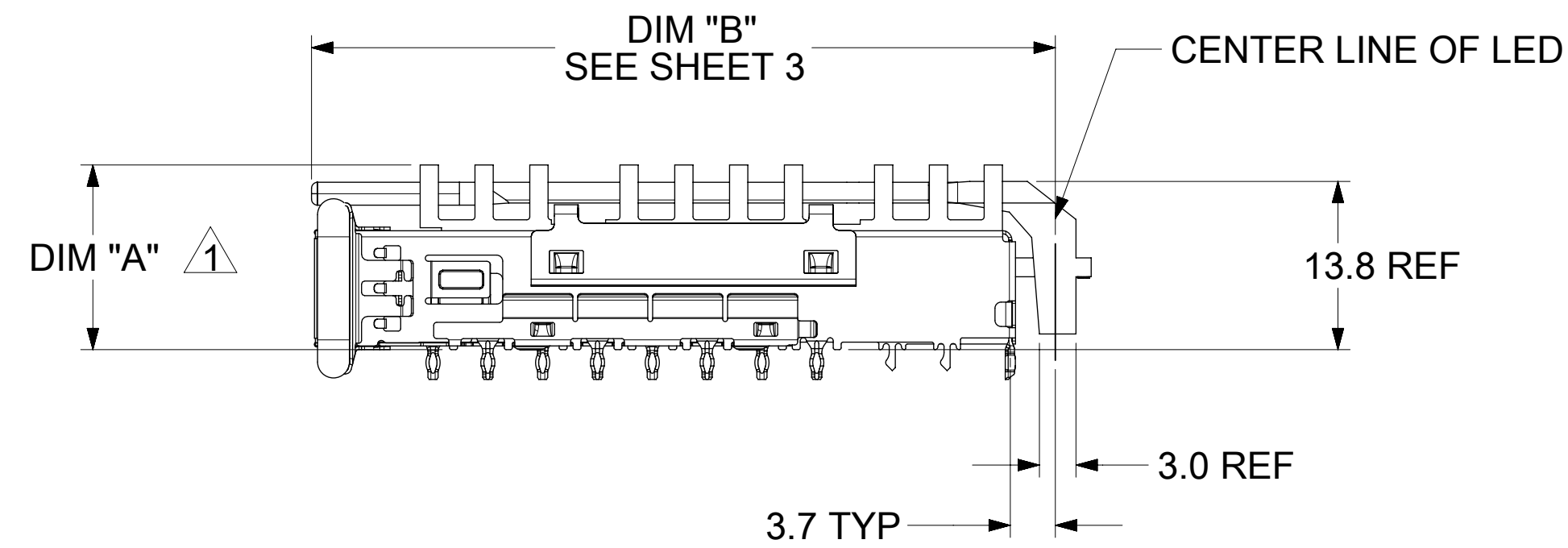
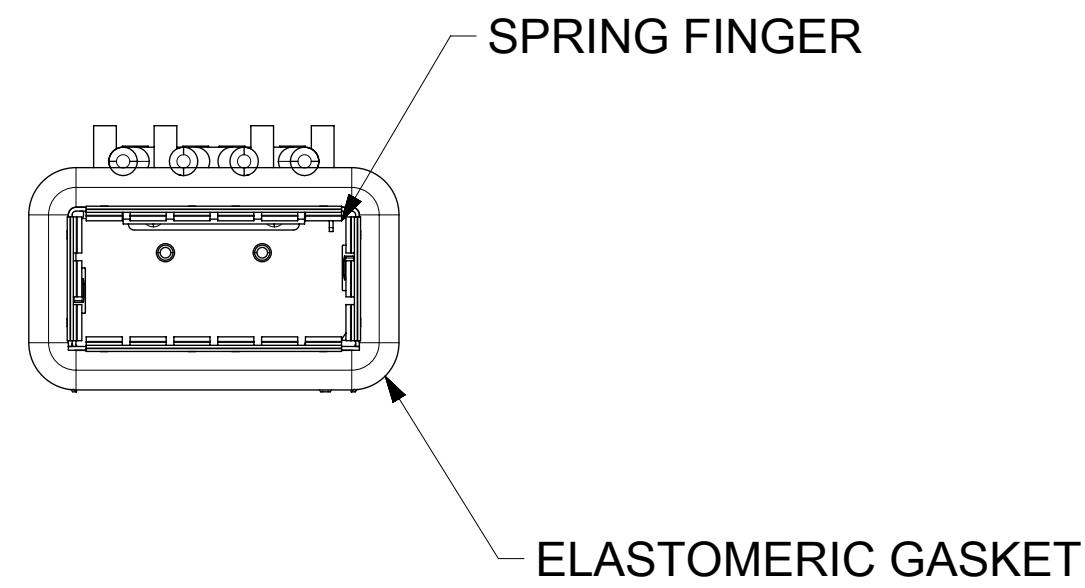
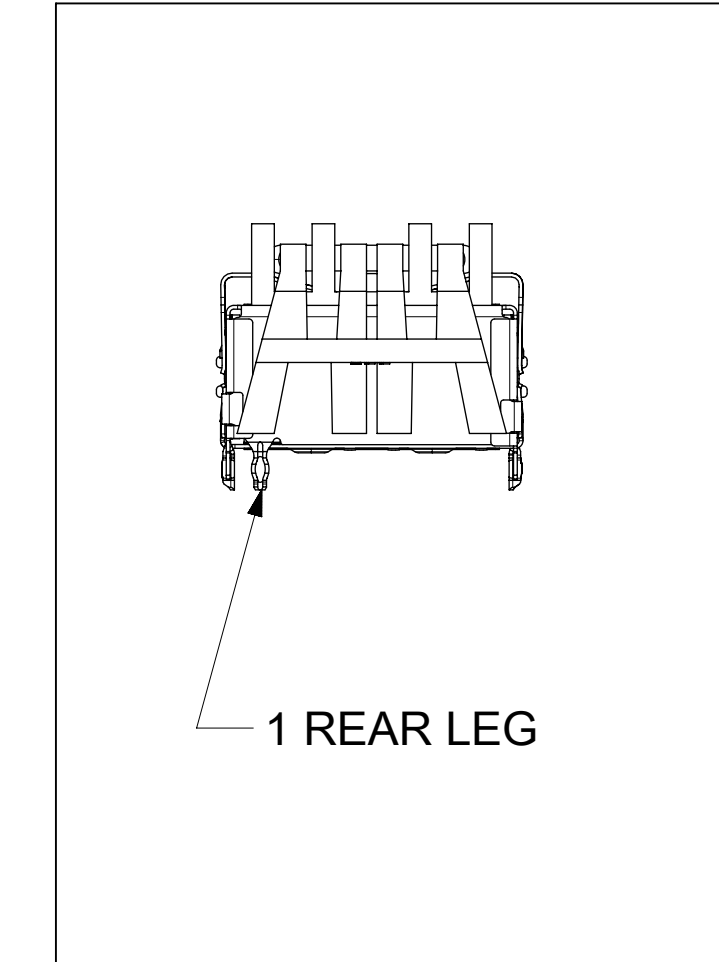
# CAGE ASSEMBLY OPTIONS



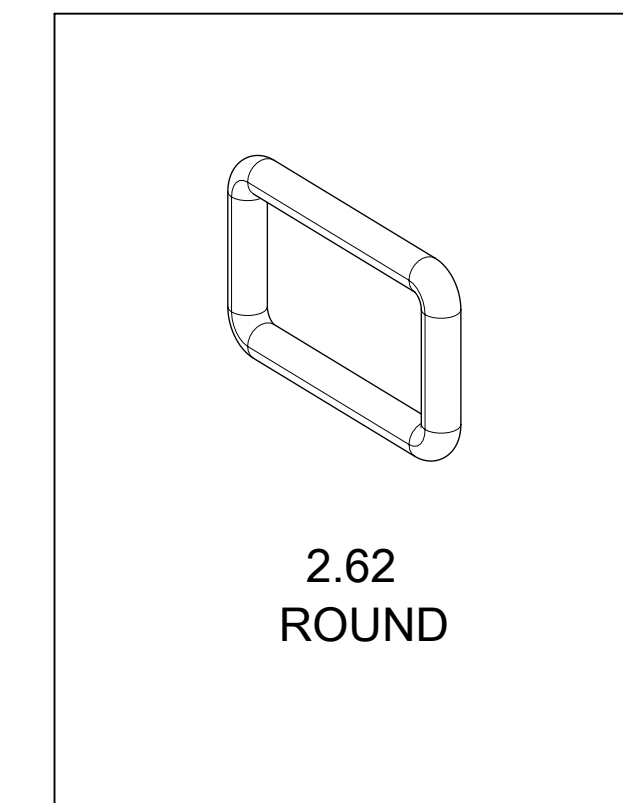
1000143748  
SHOWN



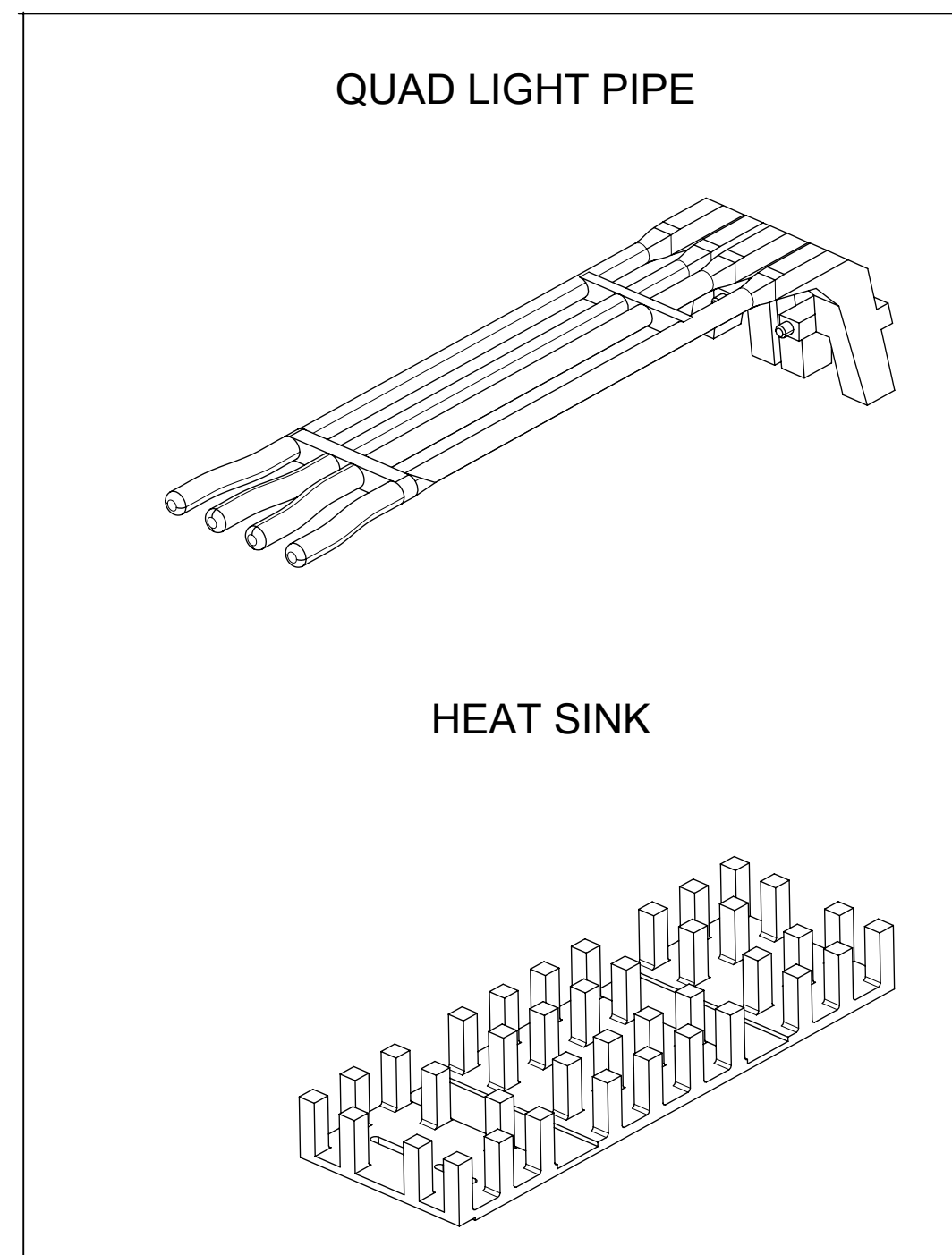
## REAR LEG OPTIONS (GASKET AND FRAME REMOVED FOR CLARITY)



## ELASTOMERIC GASKET OPTIONS



## HEATSINK AND LIGHT PIPE COMBINATIONS



## HEATSINK HEIGHT OPTIONS

OVERALL HEAT SINK HEIGHT	DIM "A"
SAN	16.0 REF
NET	23.0 REF

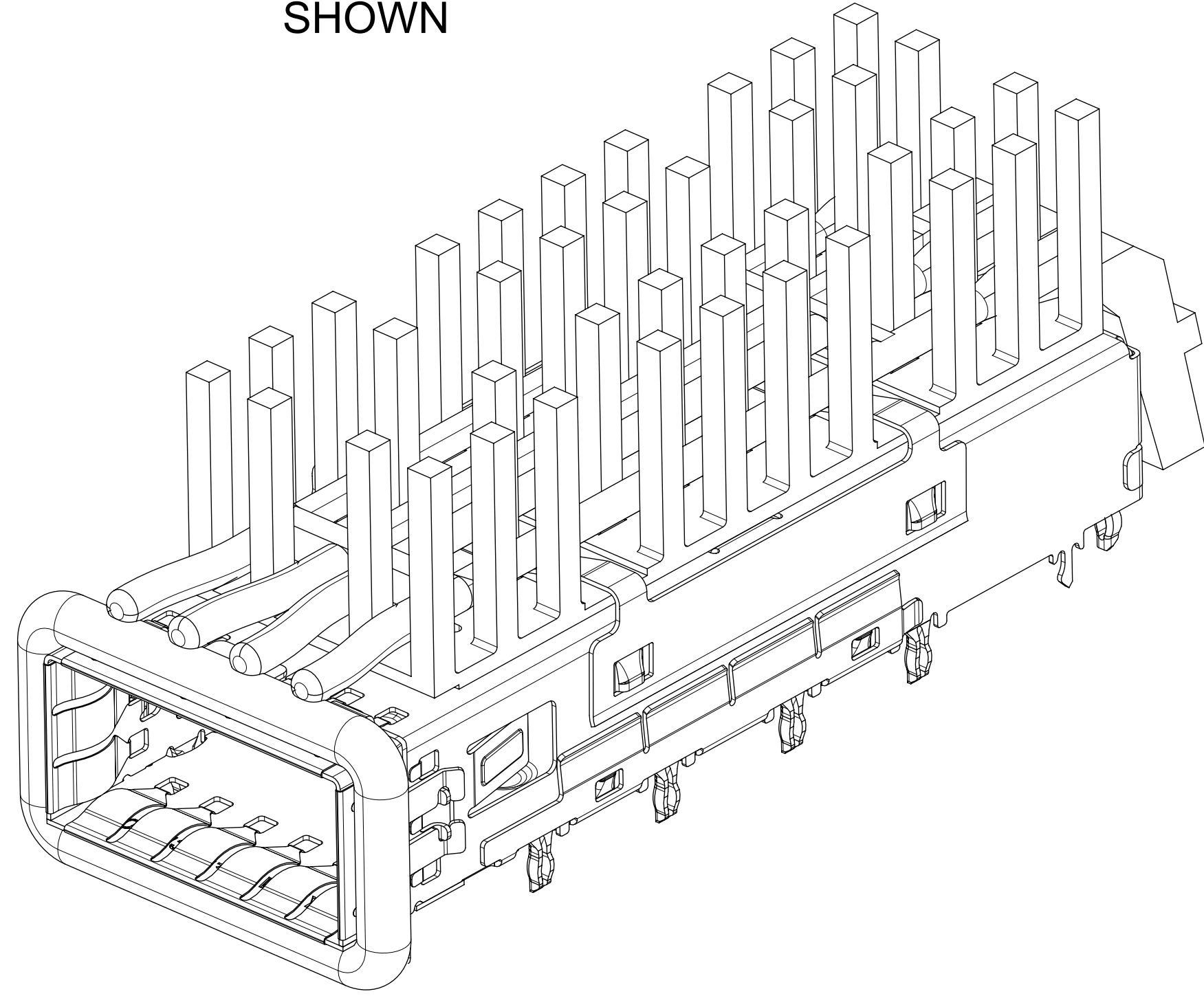
$\triangle$  HEIGHT OF HEAT SINK WITH MODULE INSERTED.  
DIMENSION MAY BE LESS DUE TO MODULE AND HEAT SINK VARIATIONS

THIS DRAWING CONTAINS INFORMATION THAT IS PROPRIETARY TO MOLEX ELECTRONIC TECHNOLOGIES, LLC AND SHOULD NOT BE USED WITHOUT WRITTEN PERMISSION											
DIMENSION UNITS <b>mm</b>		SCALE <b>2:1</b>		CURRENT REV DESC: SEE REVISION TABLE						<b>1X1 ZQSFP+ CAGE ASSY, GASKET TYPE W/ SUS INNER SPRING FINGER, HEATSINK AND QUAD LIGHT PIPE</b>	
GENERAL TOLERANCES (UNLESS SPECIFIED)		ANGULAR TOL $\pm$ 2.0°		EC NO: 712623							
4 PLACES $\pm$		3 PLACES $\pm$		2 PLACES $\pm$ 0.13		1 PLACE $\pm$ 0.25		0 PLACES $\pm$		PRODUCT CUSTOMER DRAWING	
DRAFT WHERE APPLICABLE MUST REMAIN WITHIN DIMENSIONS		THIRD ANGLE PROJECTION		DRAWING <b>D-SIZE</b>		SERIES <b>100014</b>		MATERIAL NUMBER SEE P/N TABLE		CUSTOMER GENERAL MARKET	
DOCUMENT STATUS P1		RELEASE DATE 2022/07/07 13:29:45		DRWN: CHETHH2 2022/05/30		CHK'D: TKUMARKC 2022/06/25		APPR: SCHIEN 2022/07/07		DOCUMENT NUMBER <b>1000143748</b>	
DOCUMENT NUMBER		DOC TYPE		DOC PART		REVISION		PSD		ASYS	
SHEET NUMBER		2 OF 7		DRWN: CHETHH2 2022/05/30		APPR: SCHIEN 2022/07/07		MATERIAL NUMBER SEE P/N TABLE		CUSTOMER GENERAL MARKET	

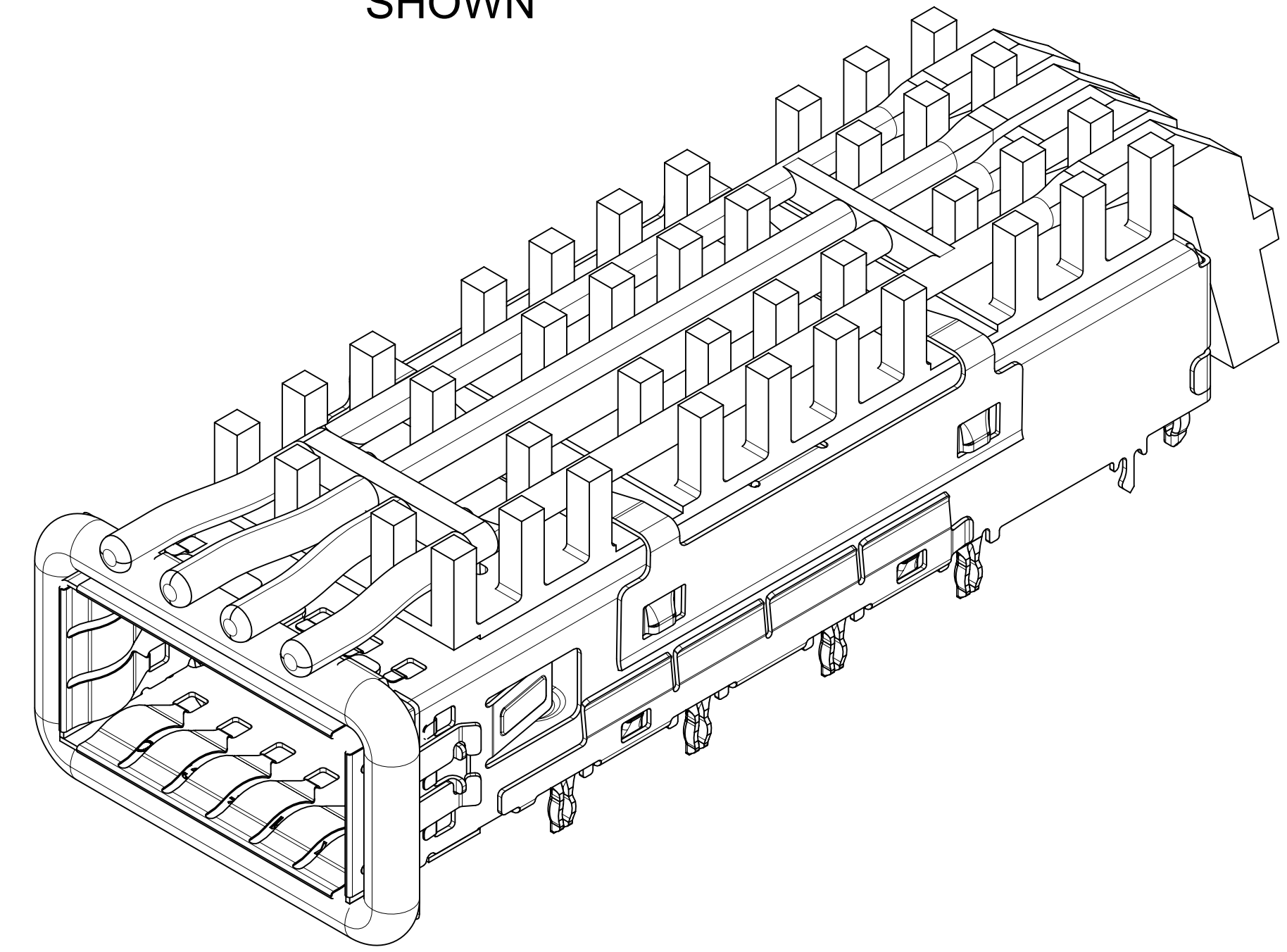
# PART NUMBER SELECTION

(ROUND GASKET OPTION)

1000143748  
SHOWN



1000144547  
SHOWN



## WITH HEATSINKS AND LIGHT PIPES

MOLEX P/N	LIGHTPIPES	HEATSINKS	#OF REAR LEGS PER PORT	DIM "B"
1000143748	QUAD	NET	1	59.50 REF
1000144547	QUAD	SAN	1	61.10 REF

THIS DRAWING CONTAINS INFORMATION THAT IS PROPRIETARY TO MOLEX ELECTRONIC TECHNOLOGIES, LLC AND SHOULD NOT BE USED WITHOUT WRITTEN PERMISSION									
DIMENSION UNITS	SCALE	CURRENT REV DESC: SEE REVISION TABLE							
mm	1.5:1	<b>molex</b>							
GENERAL TOLERANCES (UNLESS SPECIFIED)		1X1 ZQSFP+ CAGE ASSY, GASKET TYPE W/ SUS INNER SPRING FINGER, HEATSINK AND QUAD LIGHT PIPE							
ANGULAR TOL ± 2.0°		PRODUCT CUSTOMER DRAWING							
4 PLACES ±		EC NO: 712623							
3 PLACES ±		DRWN: CHETHH2	2022/05/30						
2 PLACES ± 0.13		CHK'D: TKUMARKC	2022/06/25						
1 PLACE ± 0.25		APPR: SCHIEN	2022/07/07						
0 PLACES ±		INITIAL REVISION:							
DRAFT WHERE APPLICABLE MUST REMAIN WITHIN DIMENSIONS		DRWN: CHETHH2	2022/05/30						
THIRD ANGLE PROJECTION		APPR: SCHIEN	2022/07/07						
DRAWING		SERIES							
D-SIZE		100014							
MATERIAL NUMBER		CUSTOMER							
SEE P/N TABLE		GENERAL MARKET							
DOCUMENT NUMBER		DOC TYPE		DOC PART		REVISION			
1000143748		PSD		ASY		A			
SHEET NUMBER		3 OF 7							

# PCB LAYOUT FOR SINGLE SIDED MOUNTING

HATCHED AREA DENOTES COMPONENT AND TRACE KEEP-OUT (EXCEPT CHASSIS GROUND)

37.00 MAX

34.60

30.10

25.60

21.10

16.60

12.10

7.60

3.10

0.00

3.10

7.60

12.79

Ø1.05±0.05  
Ø0.10 (M) A K L

AREA DENOTES COMPONENT KEEP-OUT (TRACES ALLOWED)

-A-  
DATUM -A- IS THE TOP SURFACE OF HOST BOARD

4.85 HOLE OF ADJACENT CAGE

18.90

16.80

1.10

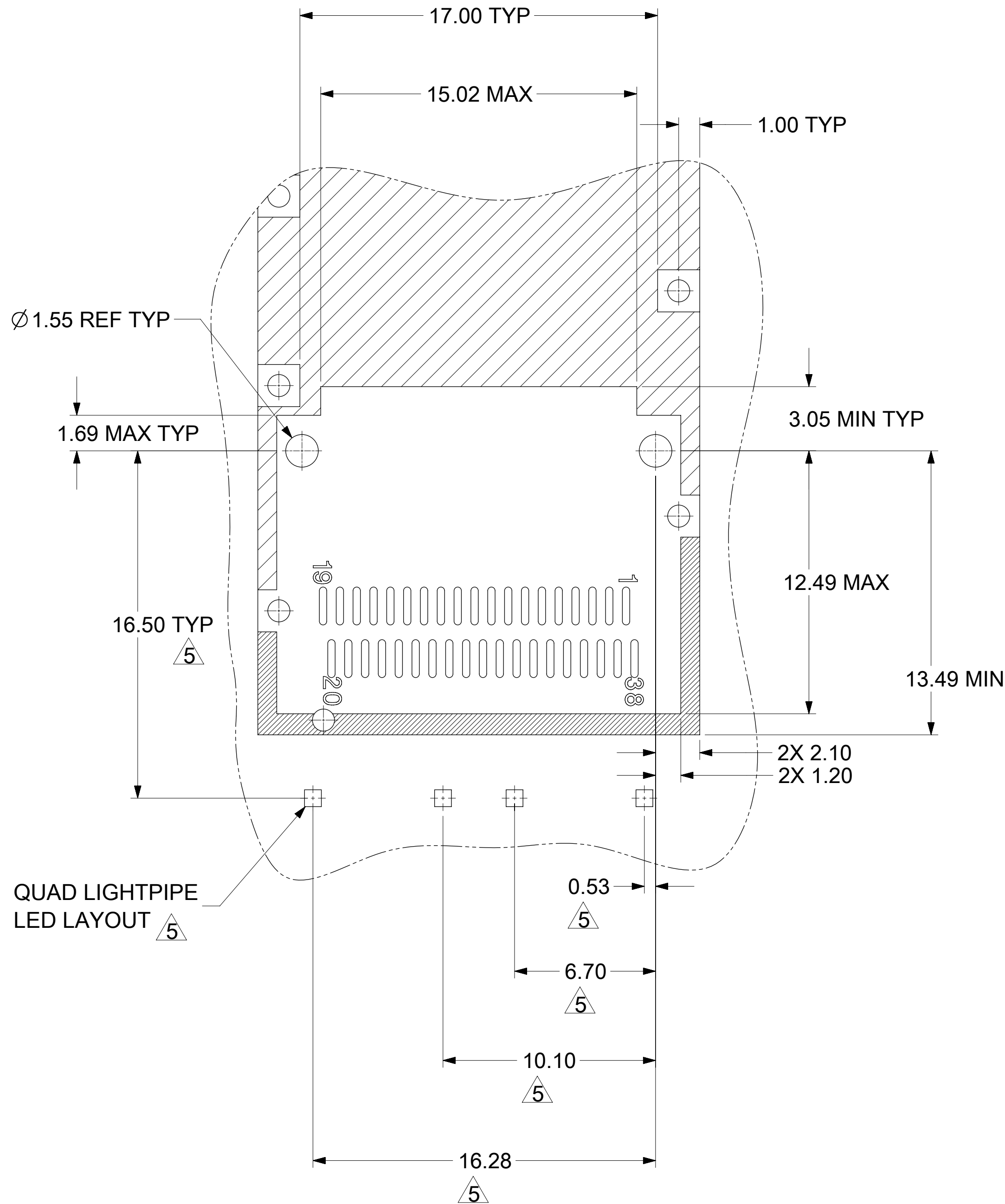
17.90

0.00

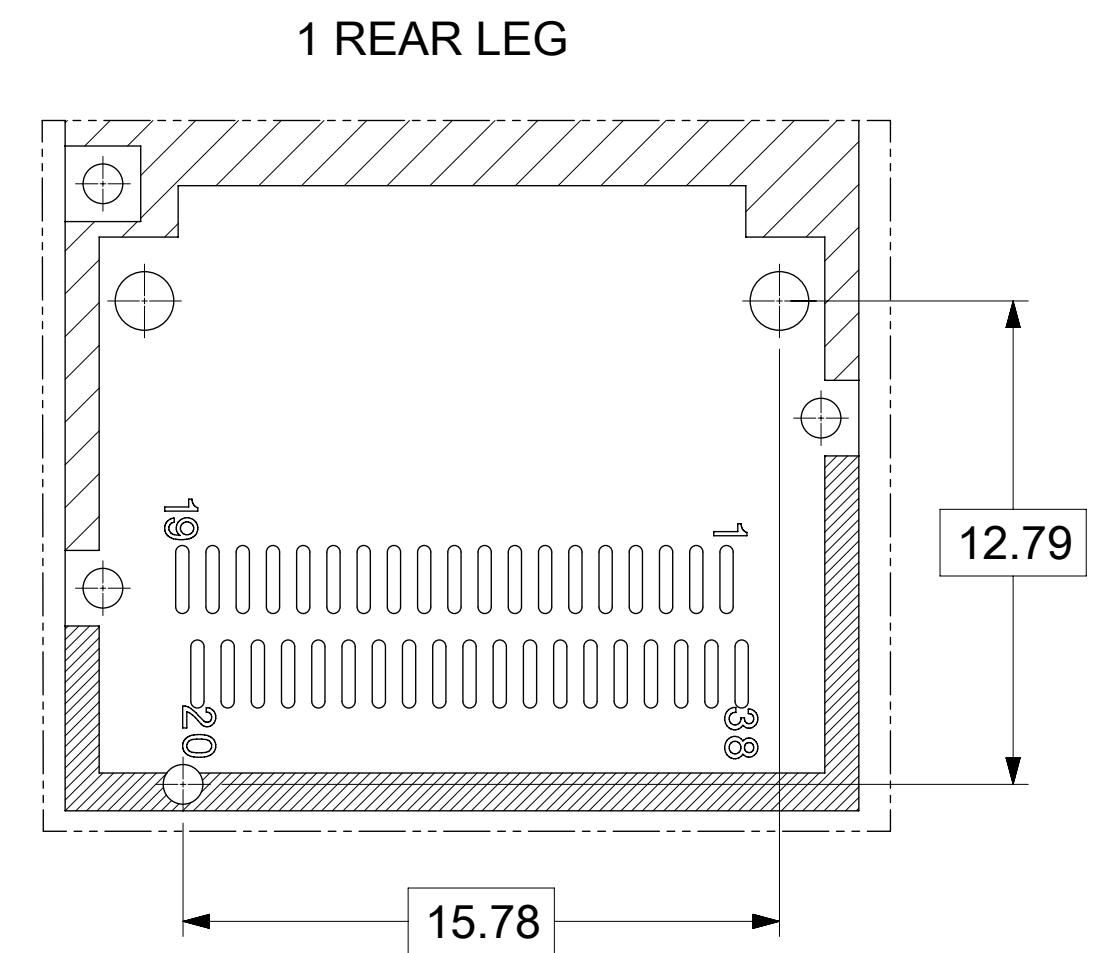
CROSS HATCHED AREA DENOTES WHERE SURFACE TRACES ARE PERMITTED

**NOTES:**

1. PADS AND VIAS GO TO CHASSIS GROUND. (RECOMMENDED PADS TO BE 2.00mm SQUARE.)
  2. RECOMMENDED THRU HOLE PLATING INCLUDES HASL, OSP, OR IMMERSION (GOLD, SILVER, OR TIN).
  3. CONNECTOR PAD LAYOUT PER SFF-8663 WILL ACCOMODATE MOLEX CONNECTOR SERIES 170432.
  4. HOLE PATTERN REPEATS FOR EACH PORT
- 5 NOTED DIMENSIONS ONLY APPLY TO CAGE ASSEMBLIES WITH LIGHT PIPES.

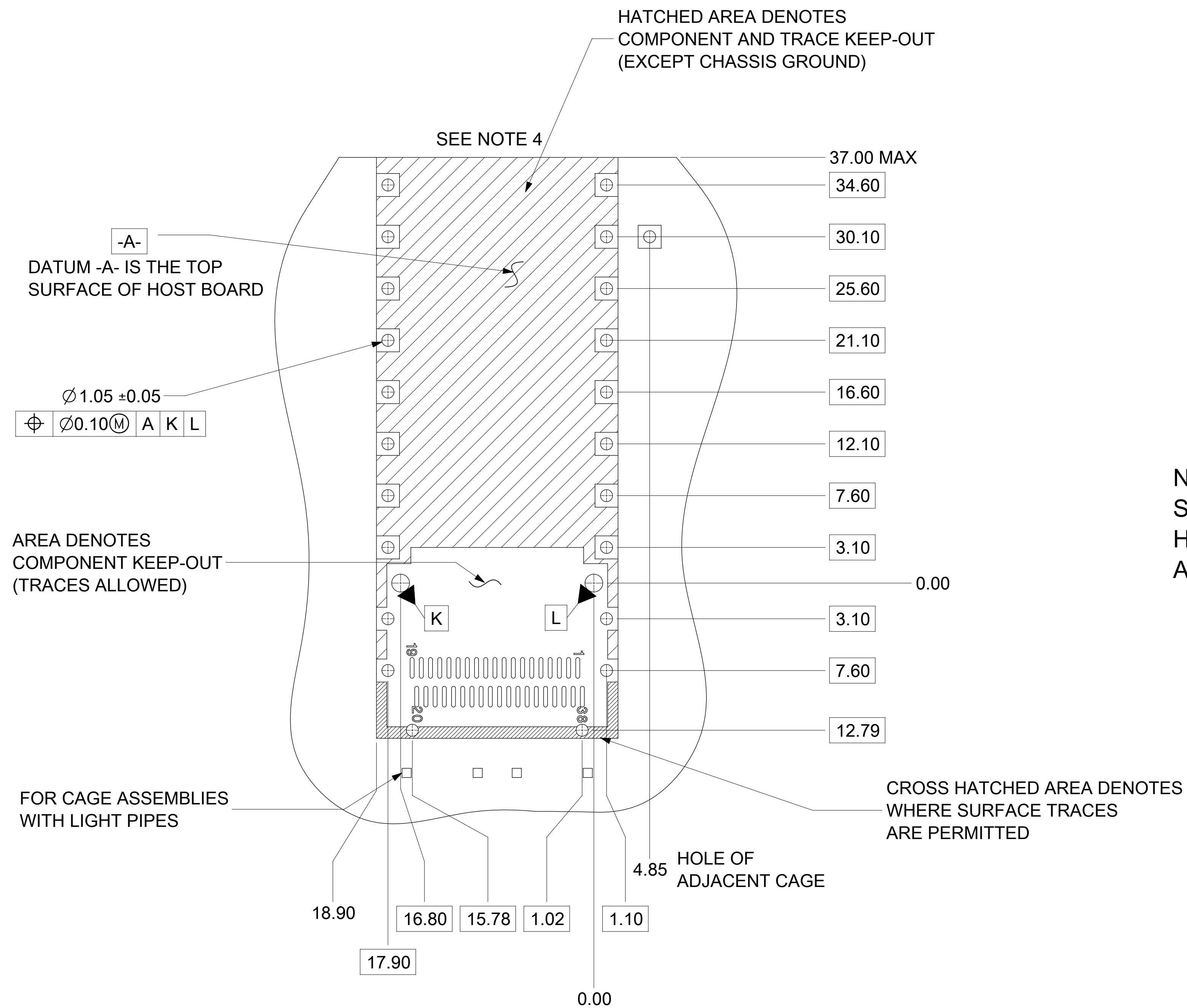


DETAIL 1  
SCALE 6:1

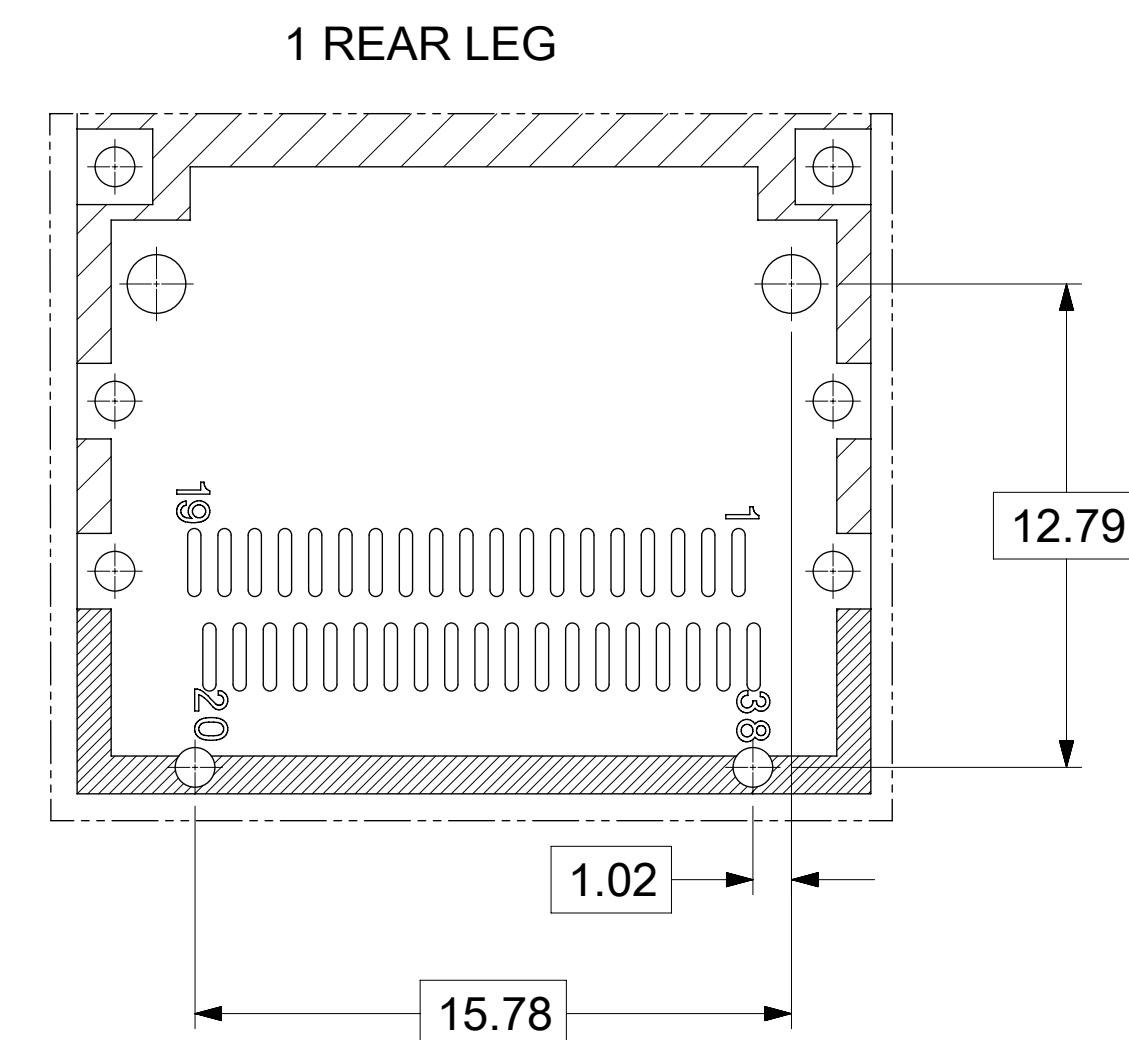


THIS DRAWING CONTAINS INFORMATION THAT IS PROPRIETARY TO MOLEX ELECTRONIC TECHNOLOGIES, LLC AND SHOULD NOT BE USED WITHOUT WRITTEN PERMISSION											
DIMENSION UNITS		SCALE		CURRENT REV DESC: SEE REVISION TABLE							
mm		3.5:1									
GENERAL TOLERANCES (UNLESS SPECIFIED)				EC NO: 712623		2022/05/30		1X1 ZQSFP+ CAGE ASSY, GASKET TYPE W/ SUS INNER SPRING FINGER, HEATSINK AND QUAD LIGHT PIPE			
ANGULAR TOL ± 2.0°				DRWN: CHETHH2		2022/06/25					
4 PLACES ±				CHK'D: TKUMARKC		2022/07/07		PRODUCT CUSTOMER DRAWING			
3 PLACES ±				APPR: SCHIEN				DOCUMENT NUMBER			
2 PLACES ± 0.13				INITIAL REVISION:				1000143748		DOC TYPE DOC PART REVISION	
1 PLACE ± 0.25				DRWN: CHETHH2		2022/05/30		PSD ASY A			
0 PLACES ±				APPR: SCHIEN		2022/07/07		SEE P/N TABLE		GENERAL MARKET	
DRAFT WHERE APPLICABLE MUST REMAIN WITHIN DIMENSIONS				THIRD ANGLE PROJECTION		DRAWING		SERIES		SHEET NUMBER	
						D-SIZE		100014		4 OF 7	

# PCB LAYOUT FOR BELLY TO BELLY MOUNTING



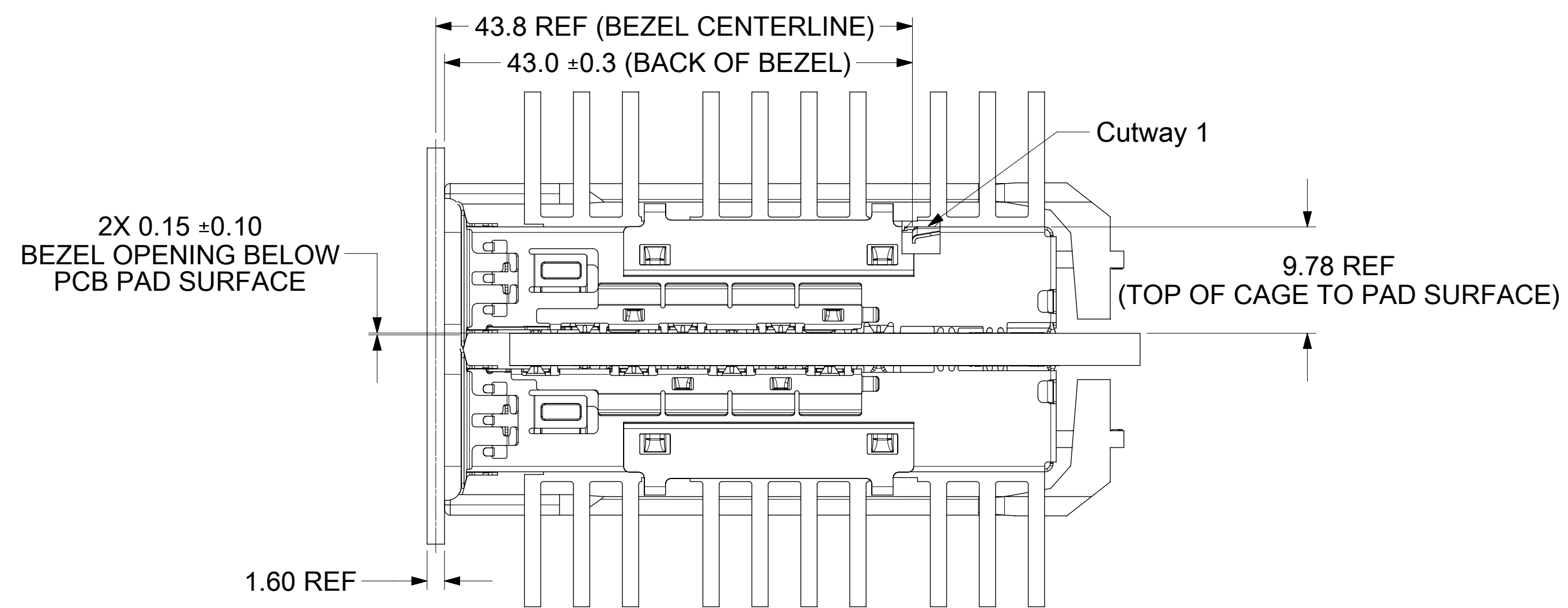
NOTE:  
SEE SHEET 5 FOR  
HOST CONNECTOR DETAIL  
AND LED LOCATION DETAILS



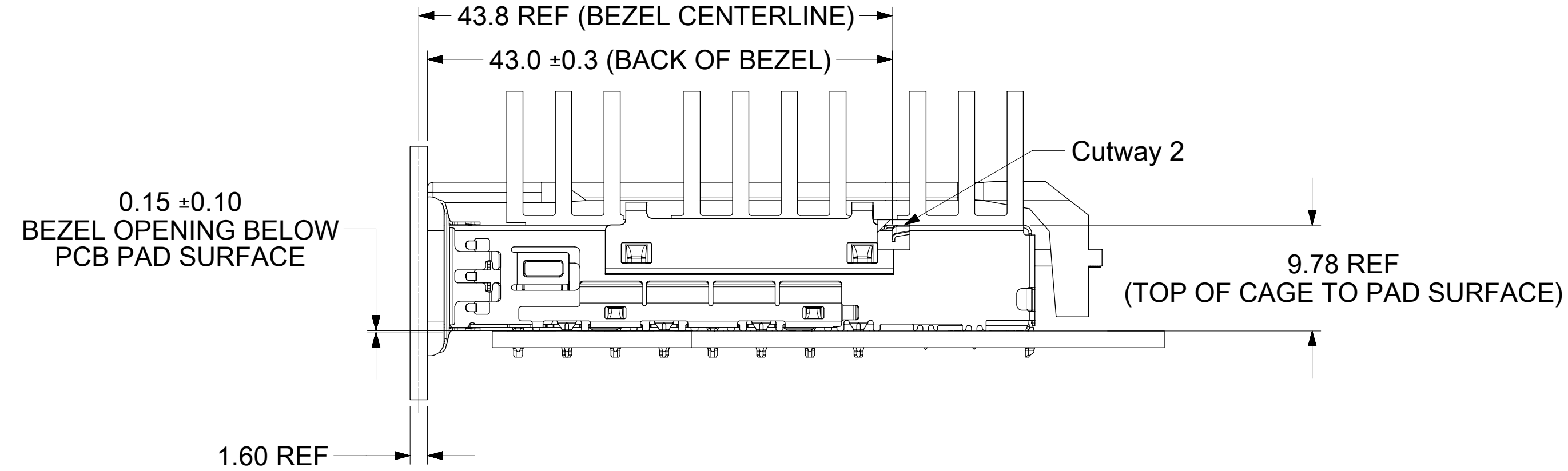
- NOTES:
1. PADS AND VIAS GO TO CHASSIS GROUND. (RECOMMENDED PADS TO BE 2.00mm SQUARE.)
  2. RECOMMENDED THRU HOLE PLATING INCLUDES HASL, OSP, OR IMMERSION (GOLD, SILVER, OR TIN).
  3. CONNECTOR PAD LAYOUT PER SFF-8663 WILL ACCOMODATE MOLEX CONNECTOR SERRIES 170432.
  4. HOLE PATTERN REPEATS FOR EACH PORT.

THIS DRAWING CONTAINS INFORMATION THAT IS PROPRIETARY TO MOLEX ELECTRONIC TECHNOLOGIES, LLC AND SHOULD NOT BE USED WITHOUT WRITTEN PERMISSION											
DIMENSION UNITS		SCALE		CURRENT REV DESC: SEE REVISION TABLE							
mm		4:1		<p><b>molex</b></p> <p>1X1 ZQSFP+ CAGE ASSY, GASKET TYPE W/ SUS INNER SPRING FINGER, HEATSINK AND QUAD LIGHT PIPE</p> <p>PRODUCT CUSTOMER DRAWING</p>							
GENERAL TOLERANCES (UNLESS SPECIFIED)											
ANGULAR TOL ± 2.0°											
4 PLACES ±		EC NO: 712623									
3 PLACES ±		DRWN: CHETHH2 2022/05/30									
2 PLACES ± 0.13		CHK'D: TKUMARKC 2022/06/25									
1 PLACE ± 0.25		APPR: SCHIEN 2022/07/07									
0 PLACES ±		INITIAL REVISION:									
DRAFT WHERE APPLICABLE		DRWN: CHETHH2 2022/05/30		DOCUMENT NUMBER		DOC TYPE		DOC PART		REVISION	
MUST REMAIN WITHIN DIMENSIONS		APPR: SCHIEN 2022/07/07		1000143748		PSD		ASY		A	
THIRD ANGLE PROJECTION		DRAWING		SERIES		MATERIAL NUMBER		CUSTOMER		SHEET NUMBER	
D-DRAWING		D-SIZE		100014		SEE P/N TABLE		GENERAL MARKET		5 OF 7	

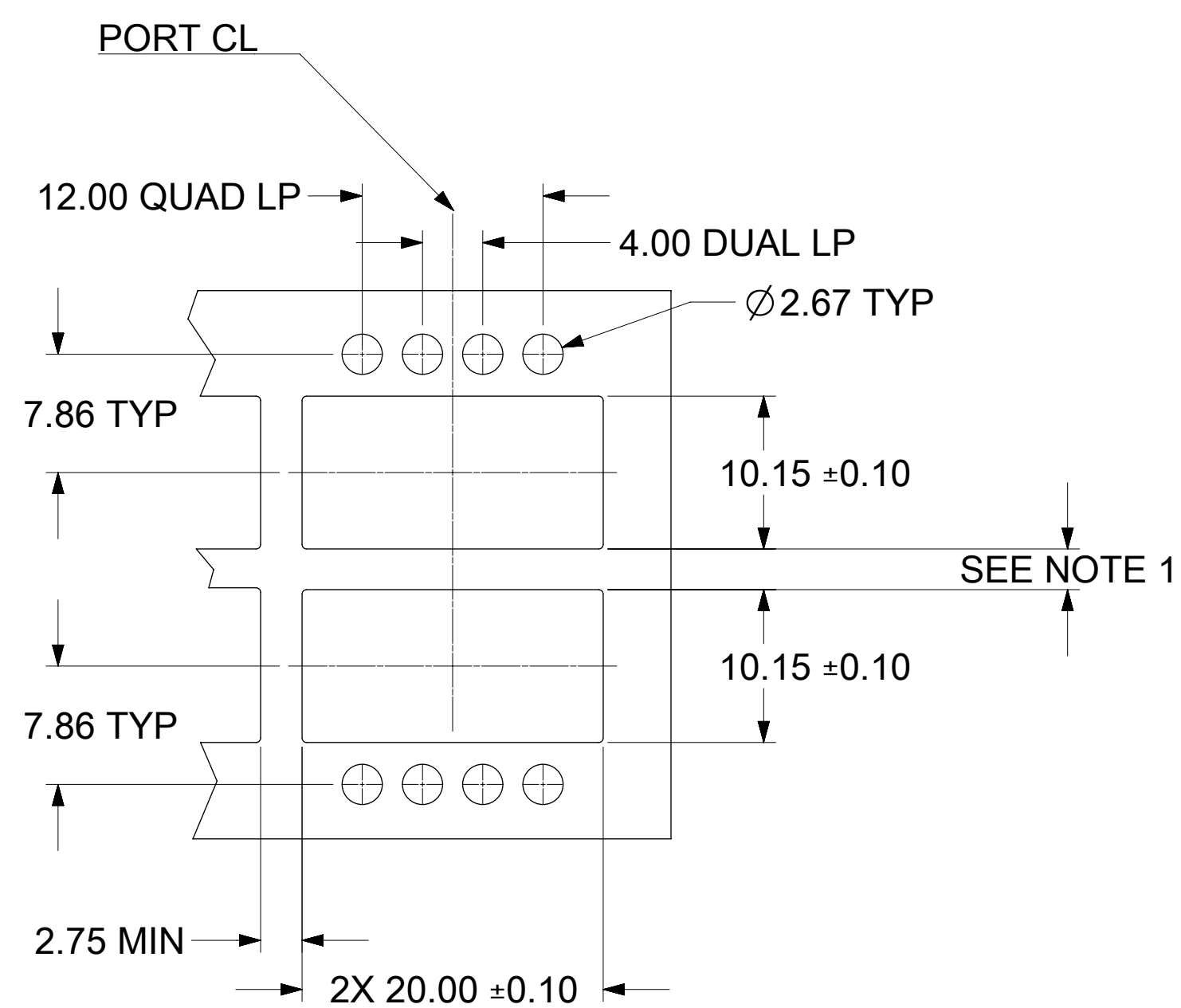
# BEZEL AND BOARD POSITION DIMENSIONS FOR BELLY TO BELLY MOUNTING



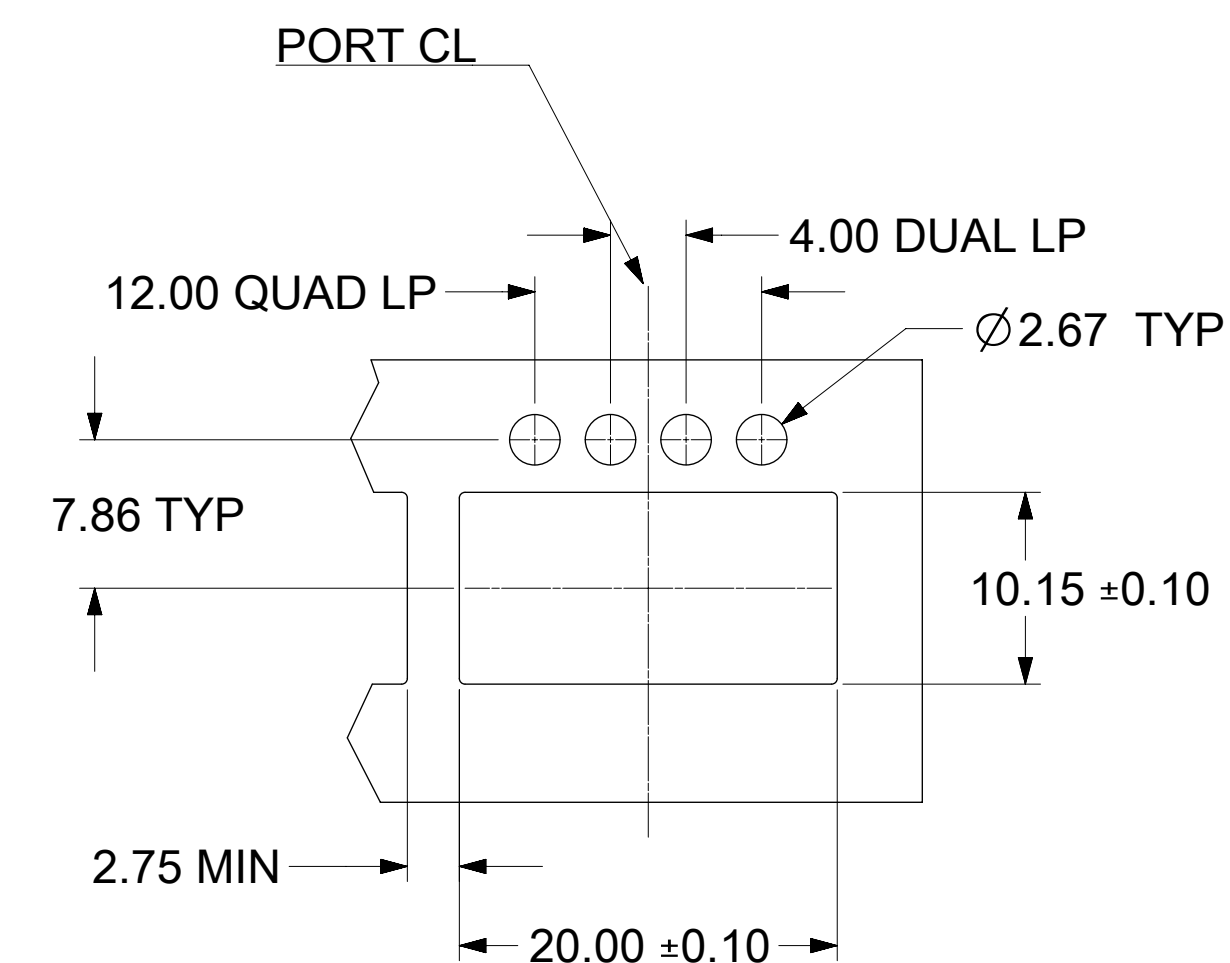
# BEZEL AND BOARD POSITION DIMENSIONS FOR SINGLE SIDE MOUNTING



## QUAD LIGHT PIPE <sup>2</sup>



## QUAD LIGHT PIPE <sup>2</sup>



**NOTE:**

1. PCB THICKNESS VARIATION MUST BE CONSIDERED WHEN DETERMINING BEZEL OPENING LOCATION.

<sup>2</sup> NOTED DIMENSIONS ONLY APPLY TO CAGE ASSEMBLIES WITH LIGHT PIPES.

THIS DRAWING CONTAINS INFORMATION THAT IS PROPRIETARY TO MOLEX ELECTRONIC TECHNOLOGIES, LLC AND SHOULD NOT BE USED WITHOUT WRITTEN PERMISSION									
DIMENSION UNITS	SCALE	CURRENT REV DESC: SEE REVISION TABLE							
mm	2.5:1	<div style="text-align: center;"><b>molex</b></div> <p>1X1 ZQSFP+ CAGE ASSY, GASKET TYPE W/ SUS INNER SPRING FINGER, HEATSINK AND QUAD LIGHT PIPE</p> <p>PRODUCT CUSTOMER DRAWING</p>							
GENERAL TOLERANCES (UNLESS SPECIFIED)									
ANGULAR TOL	± 2.0°								
4 PLACES	±								
3 PLACES	±								
2 PLACES	± 0.13								
1 PLACE	± 0.25	EC NO: 712623	2022/05/30						
0 PLACES	±	DRWN: CHETHH2	2022/06/25						
DRAFT WHERE APPLICABLE MUST REMAIN WITHIN DIMENSIONS		THIRD ANGLE PROJECTION	DRAWING	SERIES	MATERIAL NUMBER	CUSTOMER	SHEET NUMBER		
			D-SIZE	100014	SEE P/N TABLE	GENERAL MARKET	6 OF 7		

