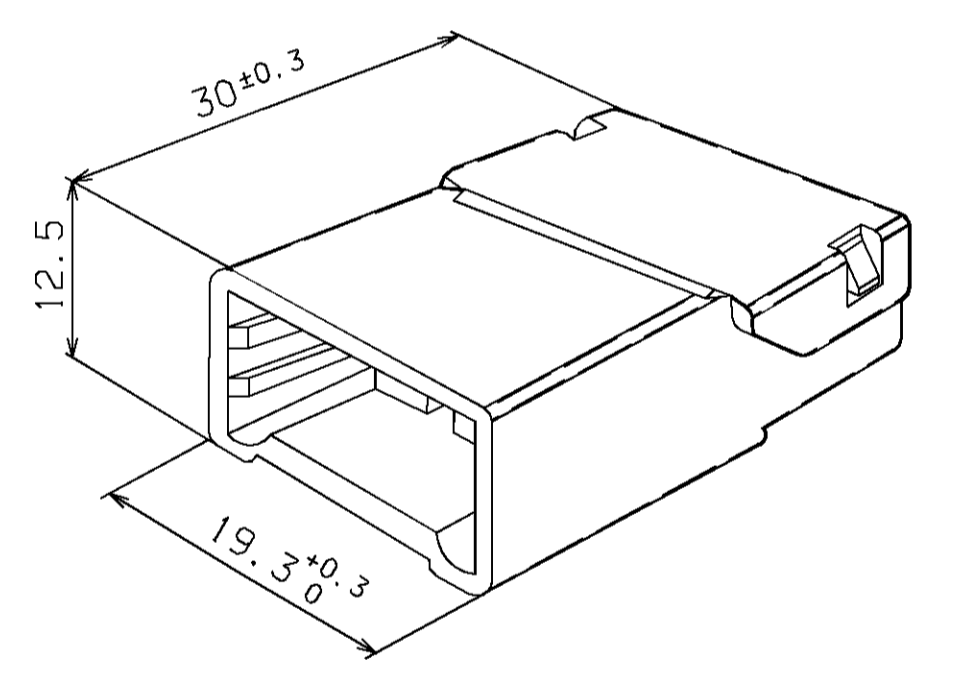
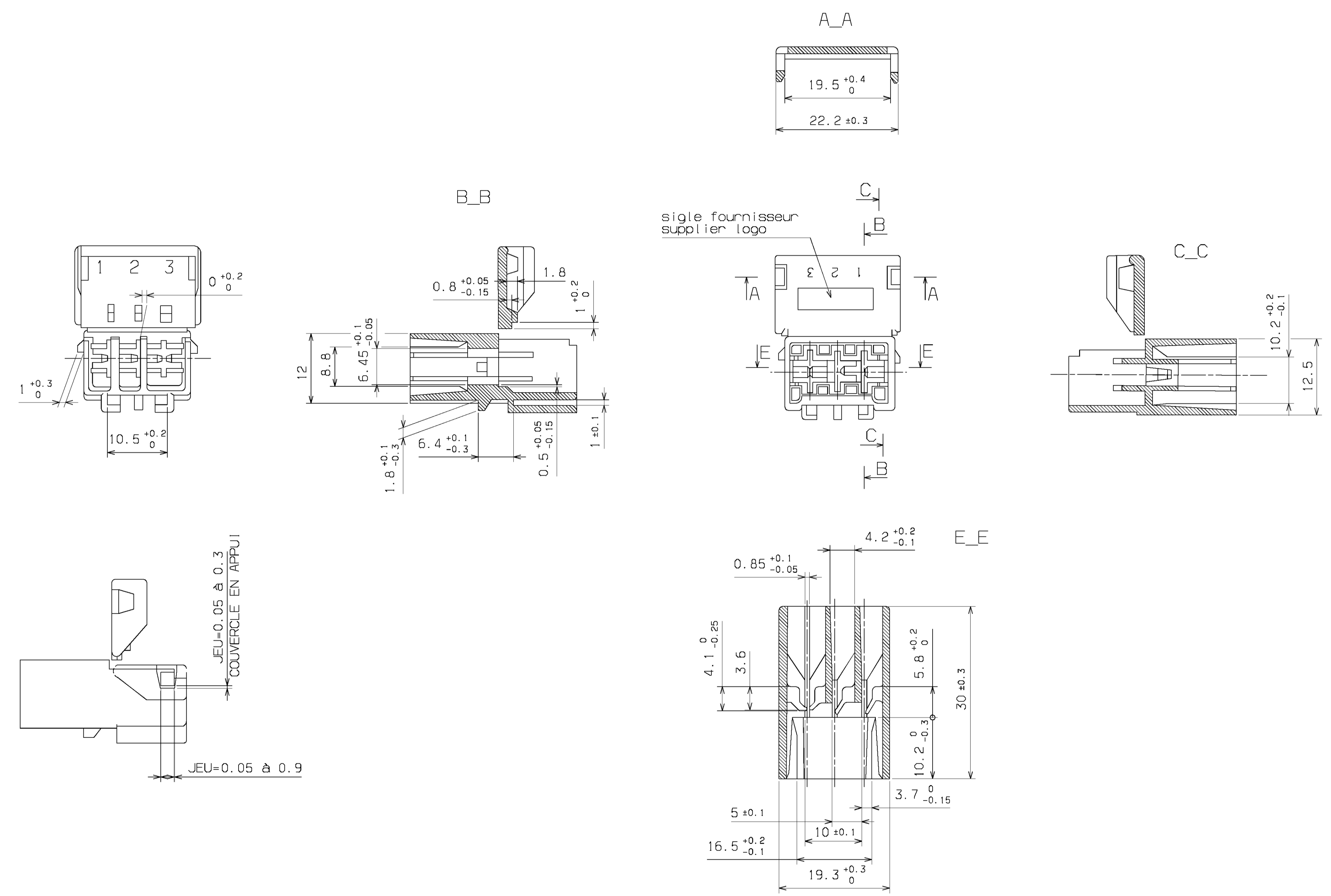


COULEUR	REFERENCE	Mat i ère/Material
Noir	0989521031	PA 6.6
Jaune	0989521034	PA 6.6
Gris	0989521038	PA 6.6
Marron	0989521039	PA 6.6



NOTA
Connexions à employer :

ALVEOLES 1.2.3:	0988961014 0988961011 0988961022 0988961013	0.35 à 1mm ² (isolant réduit) 0.35 à 1mm ² 1 à 3mm ² 3 à 5mm ²	} Languettes simples : épaisseur 0.8
ALVEOLE 3:	0988962014 0988962011 0988962012 0988962013	0.35 à 1mm ² (isolant réduit) 0.35 à 1mm ² 1 à 3mm ² 3 à 5mm ²	

ENTER DESCRIPTION	DESCRIPTION
EC NO:G2006-0100	
DRAWN:PBOSQUAIN 2005/10/05	
CHK'D:JDUCLLOS 2005/10/05	
APPR:LSTICKEIR 2005/10/05	
REV [1]	

GENERAL TOLERANCES (UNLESS SPECIFIED)	
mm	INCH
4 PLACES ±	±
3 PLACES ±	±
2 PLACES ± 0.2	±
1 PLACE ± 0.2	±
ANGULAR ± 2°	

DRAFT WHERE APPLICABLE
MUST REMAIN
WITHIN DIMENSIONS

DIMENSION STYLE		SCALE	DESIGN UNITS	FIRST ANGLE PROJECTION
MM ONLY		2:1	METRIC	
DRAWN BY	DATE	TITLE		
JLD	05/09/23	PIN HSG S5 W/ CAP PA 3CKT		
CHECKED BY	DATE	MOLEX INCORPORATED		
JLD	05/09/23	MATERIAL NO. SD-98952-001		
APPROVED BY	DATE	DOCUMENT NO.		
LST	05/09/23	SHEET NO. 1 OF 1		
SIZE	THIS DRAWING CONTAINS INFORMATION THAT IS PROPRIETARY TO MOLEX INCORPORATED AND SHOULD NOT BE USED WITHOUT WRITTEN PERMISSION			
A1				

FROM DRAWING P/N 0311-22-IND-1 85/04/20
1 Change part numbers, supplier logo and drawing frame 05/09/23
Modif.