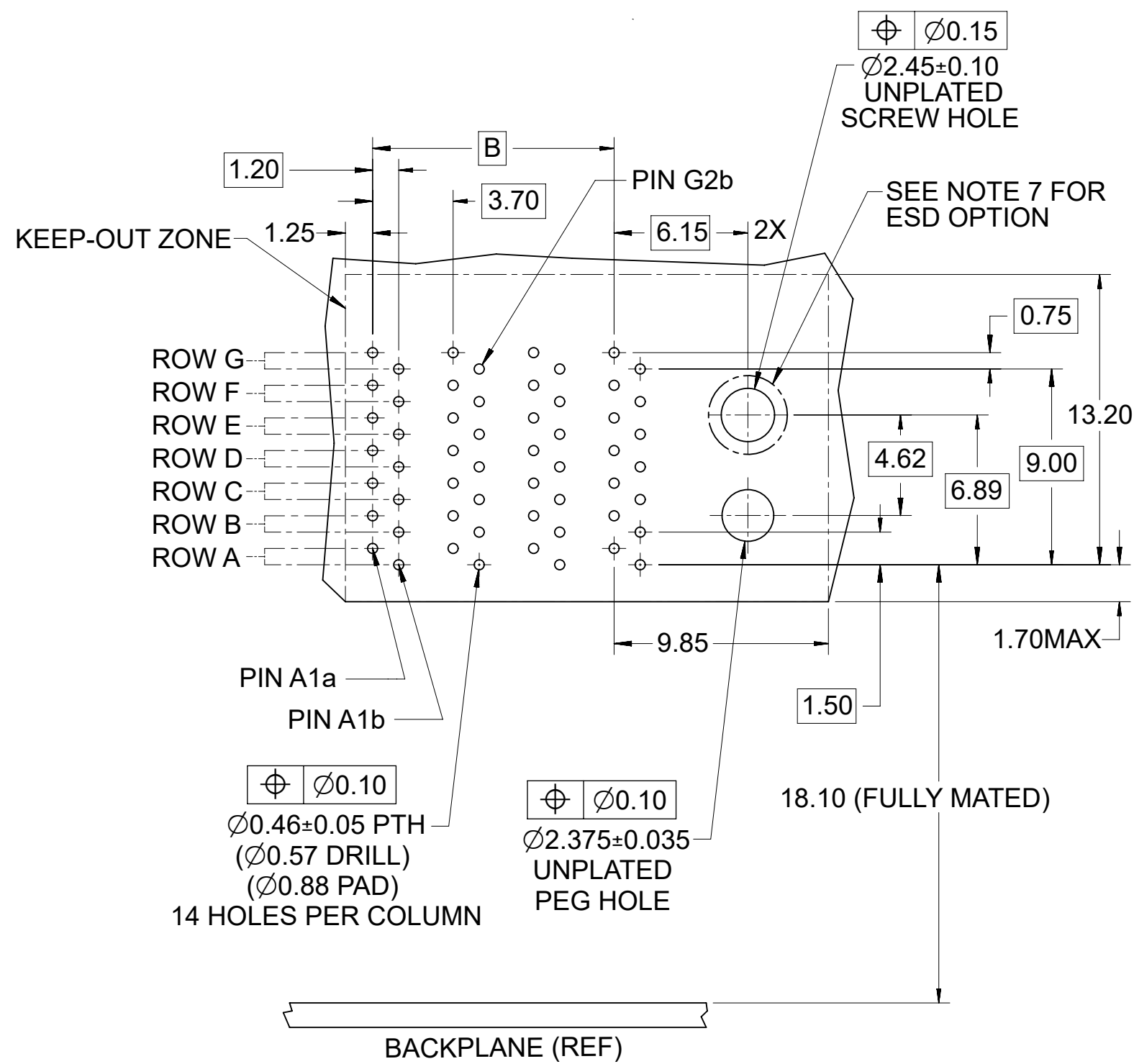
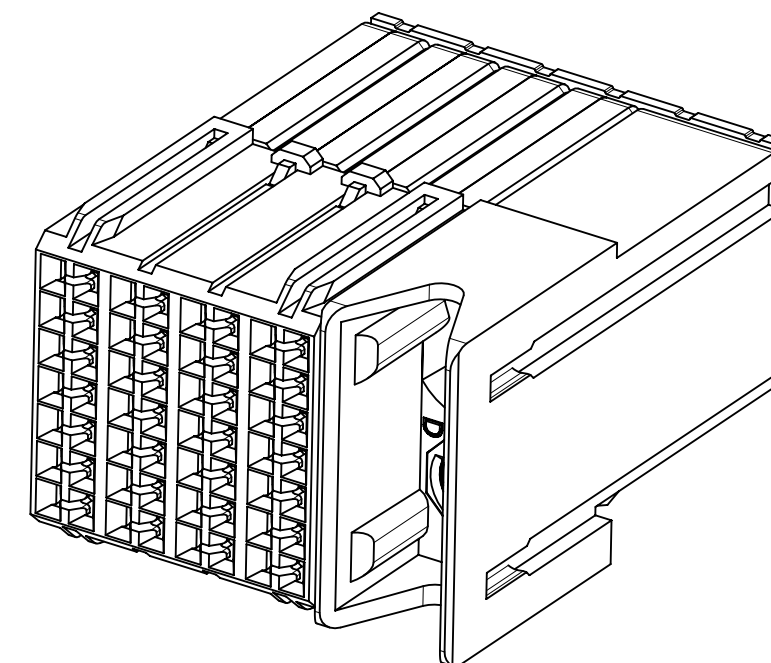
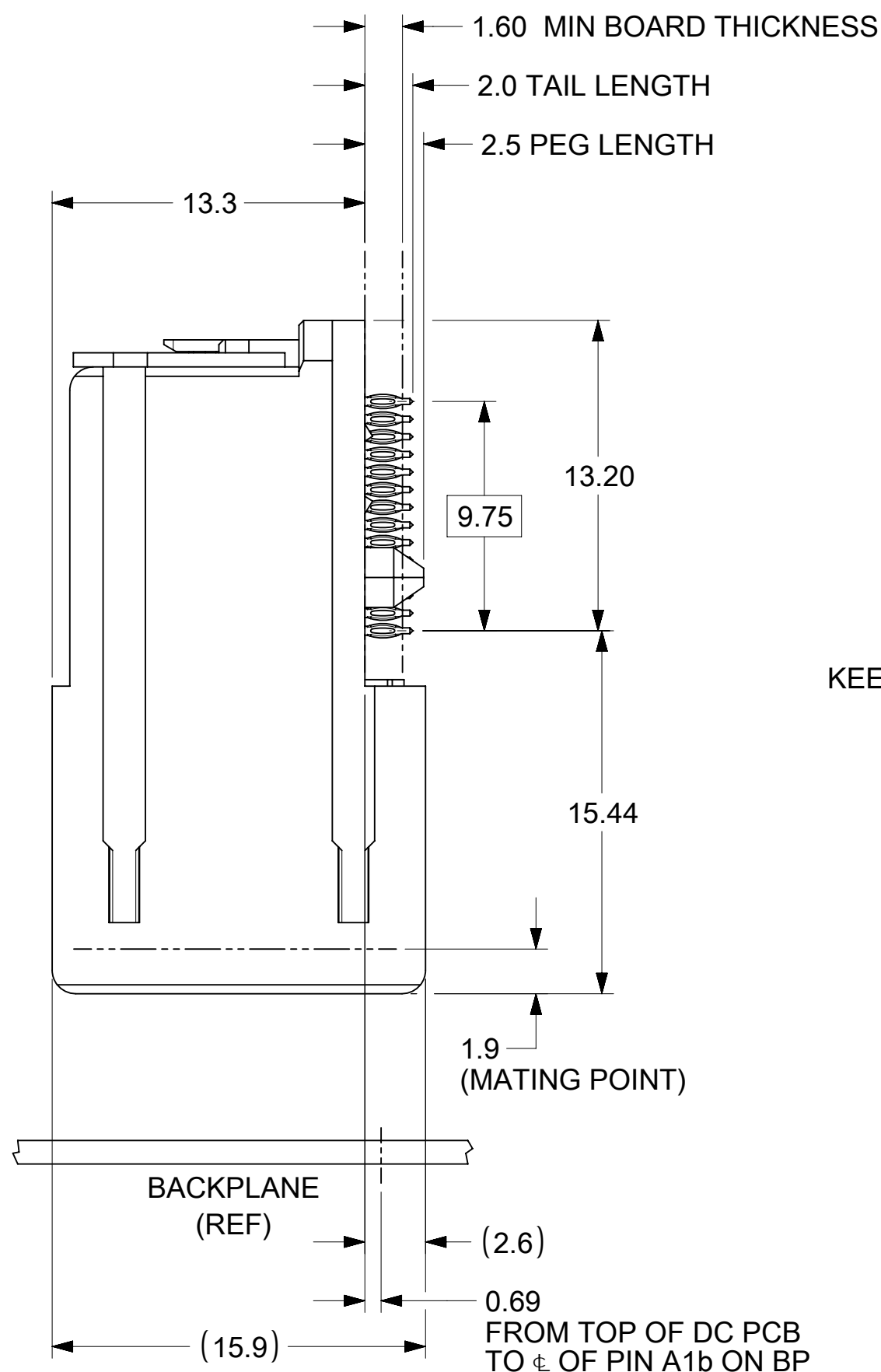


KEY SHOWN IN POSITION "E"



## DAUGHTERCARD HOLE PATTERN (CONNECTOR SIDE)

### NOTES:

1. MATERIALS: HOUSING - LIQUID CRYSTAL POLYMER (LCP)GLASS-FILLED, UL 94V-0  
TERMINALS - HIGH PERFORMANCE COPPER ALLOY
2. FINISH: SELECTIVE GOLD (Au) IN CONTACT AREA,  
SELECTIVE MATTE TIN (Sn) IN TAIL AREA;  
NICKEL (Ni) UNDERPLATE OVERALL.
3. REFER TO MOLEX PRODUCT SPECIFICATION PS-75710-999 FOR PERFORMANCE SPECS.
4. PRODUCT IS PACKAGED PER PK-70873-607.
5. THIS PART CONFORMS TO CLASS B REQUIREMENTS OF COSMETIC SPEC PS-45499-002.
6. GUIDED PARTS TO BE SHIPPED WITH 2-32 TYPE AB  
SELF-TAPPING SCREW P/N 73726-0005.
7. FOR GROUNDED GUIDE MODULES USE DIA 2.45+/-0.10 (PTH), DIA 2.58 (DRILL),  
AND DIA 4.50 (PAD).
8. MAPS (MOLEX ADVANCED PLATING SYSTEM).

THIS DRAWING CONTAINS INFORMATION THAT IS PROPRIETARY TO MOLEX ELECTRONIC TECHNOLOGIES, LLC AND SHOULD NOT BE USED WITHOUT WRITTEN PERMISSION

DIMENSION UNITS	SCALE	CURRENT REV DESC: REMASTERED TO NX		<b>molex</b>			
mm	NTS			I-TRAC DAUGHTERCARD 7 ROW GUIDE RIGHT SIGNAL MODULE			
GENERAL TOLERANCES (UNLESS SPECIFIED)		EC NO: 671119		PRODUCT CUSTOMER DRAWING			
ANGULAR TOL	± 0.5°	DRWN: YOGEEB 2021/06/17		DOCUMENT NUMBER			
4 PLACES	±	CHK'D: VINODM3 2022/01/31		SD-76020-004			
3 PLACES	±	APPR: CWANG25 2022/02/18		DOC TYPE   DOC PART   REVISION			
2 PLACES	± 0.13	INITIAL REVISION:		PSD 001 C1			
1 PLACE	± 0.25	DRWN: BPISZCZOR 2007/03/19		MATERIAL NUMBER			
0 PLACES	±	APPR: JLAURX 2007/03/19		CUSTOMER			
DRAFT WHERE APPLICABLE MUST REMAIN WITHIN DIMENSIONS		THIRD ANGLE PROJECTION		DRAWING		SHEET NUMBER	
				C-SIZE		76020	
				SEE TABLE		GENERAL MARKET	
						1 OF 2	

MATERIAL NUMBER	# OF COLUMNS	DIM. "A" MAX.	DIM. "B"
76020-***4	4	22.20	11.10
76020-***6	6	29.60	18.50
76020-***0	10	44.40	33.30

76020-\*\*\*

MODULE STYLE AND TAIL PLATING TYPE  
 4 = GUIDE RIGHT, MATTE TIN (FORMERLY TIN/LEAD)  
 5 = GUIDE RIGHT, MATTE TIN

POLARIZATION KEY ORIENTATION  
 0 = NO KEY  
 1 = A  
 2 = B  
 3 = C  
 4 = D  
 5 = E  
 6 = F  
 7 = G  
 8 = H

# OF COLUMNS/PLATING  
 04 = 4 COL 30 GOLD  
 06 = 6 COL 30 GOLD  
 10 = 10 COL 30 GOLD  
 44 = 4 COL 10 GOLD (MAPS)  
 46 = 6 COL 10 GOLD (MAPS)  
 40 = 10 COL 10 GOLD (MAPS)  
 54 = 4 COL W/ESD CLIP 30 GOLD  
 56 = 6 COL W/ESD CLIP 30 GOLD  
 50 = 10 COL W/ESD CLIP 30 GOLD  
 74 = 4 COL W/ESD CLIP 10 GOLD (MAPS)  
 76 = 6 COL W/ESD CLIP 10 GOLD (MAPS)  
 70 = 10 COL W/ESD CLIP 10 GOLD (MAPS)

THIS DRAWING CONTAINS INFORMATION THAT IS PROPRIETARY TO MOLEX ELECTRONIC TECHNOLOGIES, LLC AND SHOULD NOT BE USED WITHOUT WRITTEN PERMISSION										
DIMENSION UNITS		SCALE		CURRENT REV DESC: REMASTERED TO NX				<b>molex</b>		
mm		NTS								
GENERAL TOLERANCES (UNLESS SPECIFIED)				EC NO: 671119 DRWN: YOGEEB 2021/06/17 CHK'D: VINODM3 2022/01/31 APPR: CWANG25 2022/02/18				I-TRAC DAUGHTERCARD 7 ROW GUIDE RIGHT SIGNAL MODULE		
ANGULAR TOL ± 0.5°								PRODUCT CUSTOMER DRAWING		
4 PLACES ±				INITIAL REVISION: DRWN: BPISZCZOR 2007/03/19 APPR: JLAURX 2007/03/19				DOCUMENT NUMBER		
3 PLACES ±								SD-76020-004		DOC TYPE
2 PLACES ± 0.13				DRAFT WHERE APPLICABLE MUST REMAIN WITHIN DIMENSIONS				PSD	001	C1
1 PLACE ± 0.25								THIRD ANGLE PROJECTION	DRAWING	SERIES
0 PLACES ±					C-SIZE	76020	SEE TABLE	GENERAL MARKET	2 OF 2	