

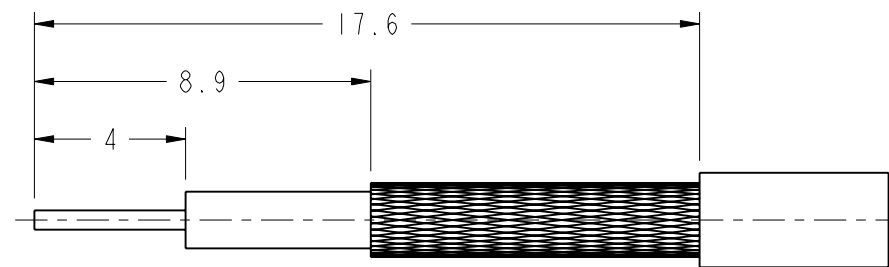
NOTES:

1. MATERIALS AND FINISHES:
 BODY - BRASS, NICKEL PLATING
 CONTACT - PHOSPHOR BRONZE, GOLD PLATING
 INSULATOR - DELRIN, NATURAL
2. ELECTRICAL:
 A. IMPEDANCE: 50 OHM
 B. FREQUENCY RANGE: DC 0-4 GHz
 C. DIELECTRIC WITHSTANDING VOLTAGE: 1500 VRMS, MIN.
3. MECHANICAL:
 A. DURABILITY: 500 CYCLES MIN.
 B. TEMPERATURE RANGE: - 40°C to +80°C
4. CRIMPED FERRULE
 HEX CRIMP SIZE .178"
5. CRIMPED CONTACT PIN
 HEX CRIMP SIZE .068"

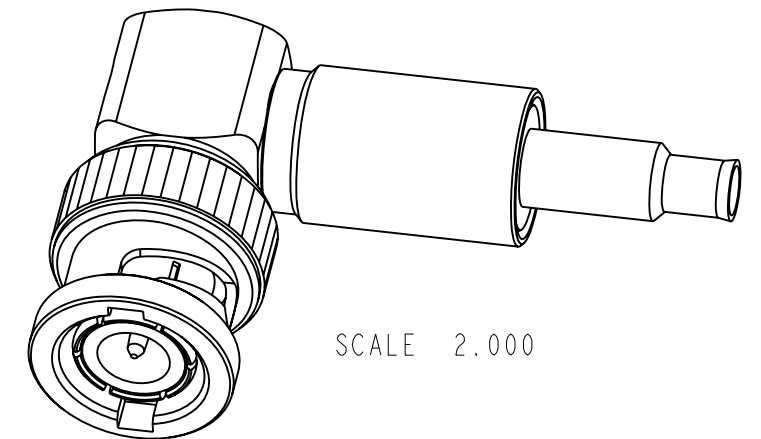
THIRD ANGLE PROJ.

REVISIONS

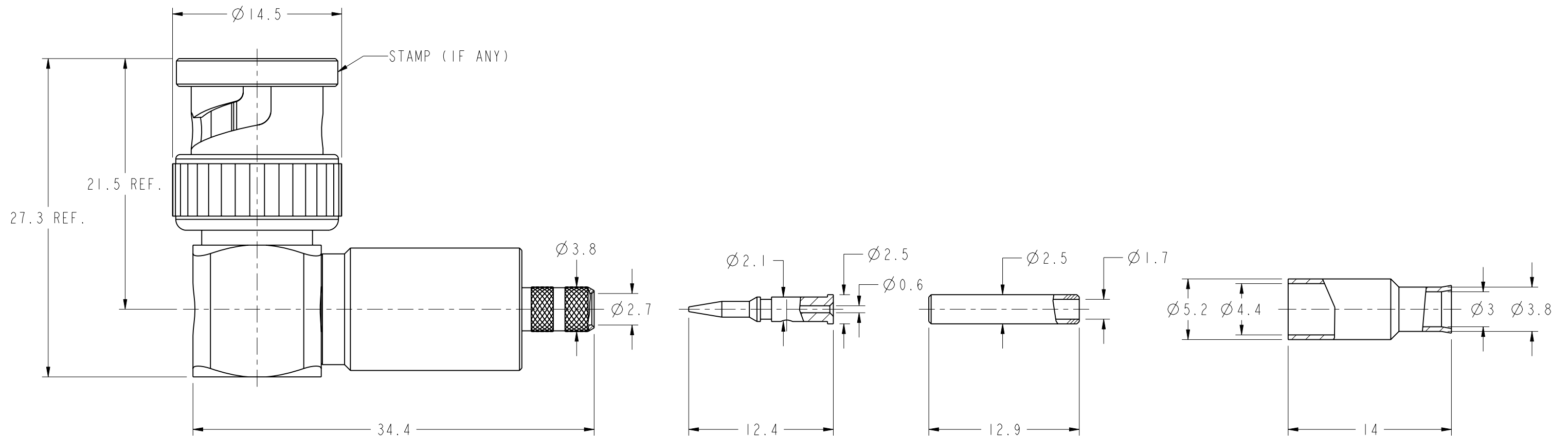
| REV | DESCRIPTION | DATE | ECO | APPR |
|-----|--------------------------|-----------|-------|--------|
| B | REDRAWN TO UPDATE FORMAT | 26-Mar-08 | 47078 | Angela |
| C | REDRAWN IN PRO/E | 15-Oct-13 | 49746 | RM |



RECOMMENDED
CABLE STRIPPING DIM'S
SCALE 5.000



SCALE 2.000



CUSTOMER OUTLINE DRAWING

ALL OTHER SHEETS ARE FOR INTERNAL USE ONLY

| | | | | | |
|---|------------------------------------|----------------------|-------------------|---|-----------------------------------|
| UNLESS OTHERWISE SPECIFIED, DIMENSIONS ARE IN METRIC AND TOLERANCES ARE: <0.5mm ±0.05mm 0.5 - 6mm ±0.1mm 6 - 30mm ±0.2mm 30 - 120mm ±0.3mm ANGLES ±1° | MATERIAL | DRAWN R. MAO | DATE 08-Oct-13 | TITLE BNC R/A CRIMP PLUG FOR RG-316/U CABLE | Amphenol RF www.amphenolrf.com |
| | REFERENCE AND CONFIGURATION LEVEL: | ENGINEER S. LI | DATE 08-Oct-13 | | |
| NOTICE - These drawings, specifications, or other data (1) are, and remain the property of Amphenol corp. (2) must be returned upon request; and (3) are confidential and not to be disclosed to any person other than those to whom they are given by Amphenol Corp. the furnishing of these drawings, specifications, or other data by Amphenol Corp., or to any other person to anyone for any purpose is not to be regarded by implication or otherwise in any manner licensing, granting rights to permitting such holder or any other person to manufacture, use or sell any product, process or design, patented or otherwise, that may in any way be related to or disclosed by said drawings, specifications, or other data. | FINISH | APPROVED S. HSIEH | DATE 15-Oct-13 | SCALE: 3.0:1.0 | SHEET 2 OF 2 |
| | | | CAD FILE | | DWG SIZE B |
| | | | | | DRAWING NO. B1122E1-ND3G-316U-50 |
| | | | | | ITEM NO. 011122AAH36ND5F |
| | | | | | PART NO. 031-5991-RFX |