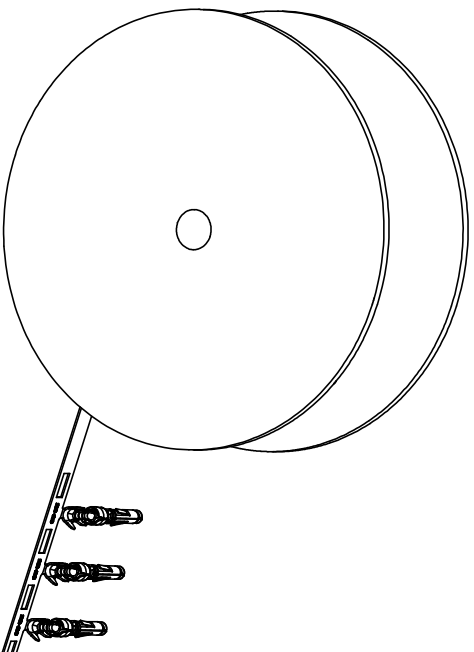


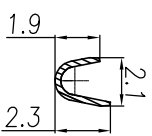
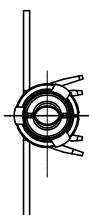
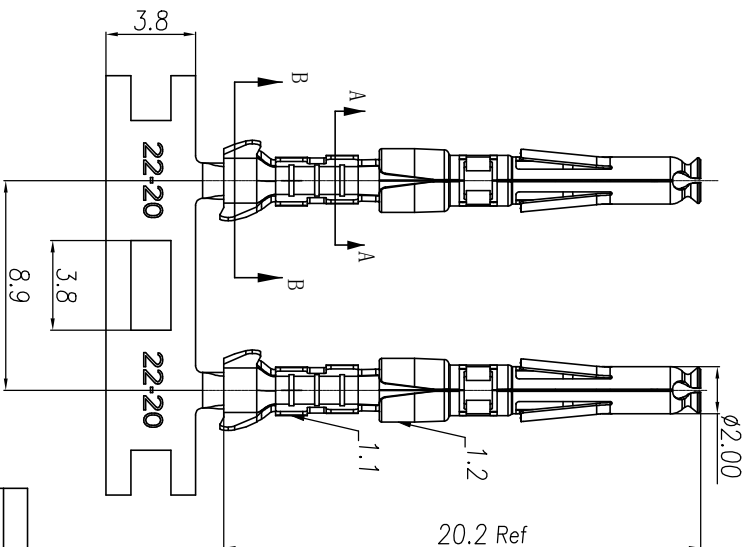
REVISIONS				
REV	ECO	DESCRIPTION	DATE	BY APPR
A1	-	RELEASED DRAWING	Nov-9-17	Rookie Tommy
A2	-	ADD THE GS PART NUMBER	Jan-28-19	Blink Tommy
A3	-	CHANGE HAND CRIMPER	Nov-8-19	Flan Tommy



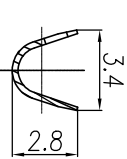
CONTACT ORIENTATION ON ROLL

NOTES: (UNLESS OTHERWISE SPECIFIED)

- MATERIAL:
  - CONTACT BODY: COPPER ALLOY.
  - OUTER SPRING: STAINLESS STEEL.
- SPECIFICATIONS:
  - CURRENT RATING: 5A MAX.
  - TERMINATION TYPE: CRIMPING.
  - WIRE RANGE: 22~20AWG.
  - WIRE INSULATION DIA(MAX):  $\varnothing 2.6\text{mm}$ .
- RHS COMPLIANT.
- ALL DIMENSIONS ARE FOR REFERENCE USE ONLY.
- AVAILABLE TOOLS:
  - HAND CRIMPER: MFX-3958. A3
  - CRIMP APPLICATOR: MFX-3957.
  - EXTRACTION TOOL: QXRT20.



SECTION A-A



SECTION B-B

P/N	CONTACT PLATING(MATING AREA)
SS20W2T	TIN PLATING OVER NICKEL.
SS20W2N	NICKEL PLATING OVER COPPERIZE.
SS20W2F	GOLD FLASH PLATING OVER NICKEL.
SS20W2G5	5 $\mu$ " GOLD PLATING OVER NICKEL.
SS20W2G10	10 $\mu$ " GOLD PLATING OVER NICKEL.
SS20W2G15	15 $\mu$ " GOLD PLATING OVER NICKEL.
SS20W2G30	30 $\mu$ " GOLD PLATING OVER NICKEL.

QUANTITY	PART NUMBER	DESCRIPTION	ITEM
		<b>Amphenol</b>	
<p><b>MATERIALS LIST</b></p> <p>UNLESS OTHERWISE SPECIFIED            1) All dimensions are in millimeters.            2) Tolerances are as follows:            1 Pt. DEC 0.030 Fractions 1/16"            3 Pt. DEC 0.015 Angles 30"            3) Note reference =  <b>Warning</b></p>			
SIGNATURES		DATE	
DRAWN: <b>Flan</b>	CHECKED: <b>Flan</b>	NOV-8-19	
ENGINEER: <b>Tommy</b>	APPROVE: <b>Tommy</b>	NOV-8-19	
CUSTOME: <b>Tommy</b>		NOV-8-19	
<p>ECO-MATE SOCKET CONTACT, STAMPED, 20-22AWG, SIZE 20</p>			
SIZE	TYPE	DWG NO.	REVISION
<b>B</b>	<b>C-</b>	<b>SS20W2XX</b>	<b>A3</b>
SCALE: NONE		SHEET 1	OF 1