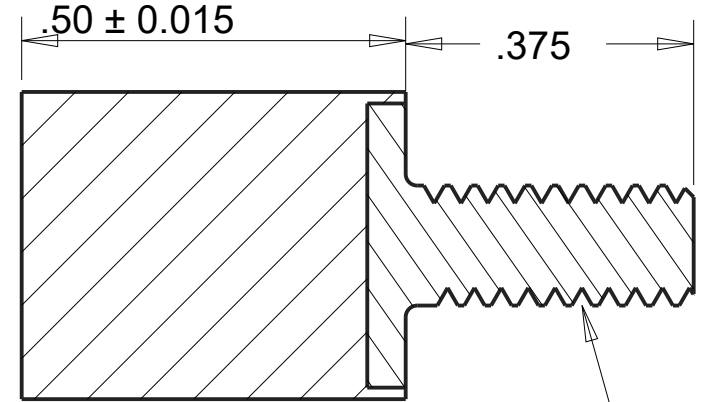
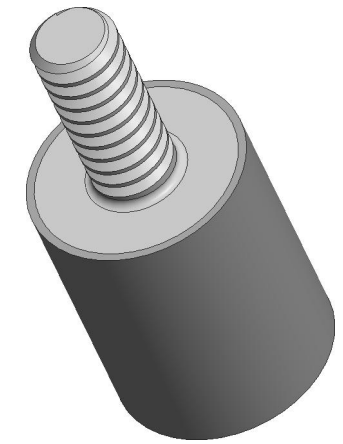
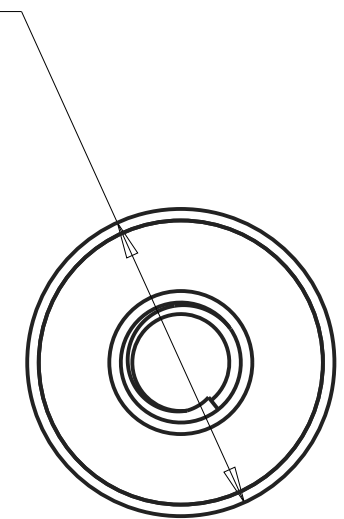




REVISIONS				
DRAWN	REV	DESCRIPTION	DATE	APPROVED
CP	01	INITIAL DESIGN	6/24/17	CP



Ø .40 ± 0.015



SCALE 4.000

GROUP 2 MALE
INSERT #6-32
UNC-2A

SECTION A-A

NOTES:

1. CONTACT AREAS MUST BE 100% BONDED.

INSERTS:
MALE INSERT P/N: 021-1425
MATERIAL: S.A.E 1018 STEEL
FOR COATING DETAILS, SEE INSERT DRAWING.

MATERIAL:	AEARO TECHNOLOGIES LLC * a 3M company		
ISOLOSS SL20300	QUALITY CONTROL: MUST COMPLY WITH AEARO TECHONOLGIES LLC SUPPLIER QUALITY MANUAL REQUIREMENTS	TITLE SANDWICH MOUNT, GROUP 2, MALE-BLANK, ISOLOSS SL-20300	
UNITS: IN	NOTES: ANY FEATURE NOT DIMENSIONED IN PRINT MUST BE VISIBLY PRESENT, UTILIZE 3D CAD FOR CREATION	SIZE B	ITEM CODE DWG NO. MB-200-UC06-SL20300