

1.6"W x 2.11"L x 0.91"H

- Universal 90-264VAC Input
- High Efficiency
- Improved EMI Performance
- 4000VAC Input to Output Isolation
- Single, Dual and Triple Outputs
- Full Safety Approvals



| Model Number | Output Voltage | Output Amps(max) |
|--------------|----------------|------------------|
|--------------|----------------|------------------|

SINGLE OUTPUT

| | | |
|------------|-----------|-------|
| EFM-5000/M | 3.3 Volts | 1.25A |
| EFM-5001/M | 5 Volts | 1A |
| EFM-5022/M | 9 Volts | 0.55A |
| EFM-5002/M | 12 Volts | 0.42A |
| EFM-5003/M | 15 Volts | 0.33A |
| EFM-5018/M | 18 Volts | 0.27A |
| EFM-5005/M | 24 Volts | 0.23A |

DUAL OUTPUT

| | | |
|------------|----------|--------|
| EFM-5006/M | ±12Volts | ±0.21A |
| EFM-5007/M | ±15Volts | ±0.17A |

TRIPLE OUTPUT

| | | |
|------------|-----------|-----------|
| EFM-5009/M | 5±12Volts | 0.53±0.1A |
| EFM-5011/M | 5±15Volts | 0.41±0.1A |



INPUT SPECIFICATIONS

| | |
|----------------------------------|------------------------------|
| Input Voltage Range | 90-264 VAC (100-240VAC nom.) |
| Frequency Range | 47-63 Hz |
| Inrush Current, typ, cold start: | 20A@115VAC, 40A@230VAC |
| Leakage Current | <0.3mA @ 264VAC, 50Hz |

OUTPUT SPECIFICATIONS

| | | |
|--------------------------|--------------------------------------|--------------------------------------|
| Voltage and Current | See Selection Chart | |
| Load Regulation (20%-FL) | Singles: 1.5%, Duals: $\pm 3\%$ max. | |
| | Triple: 0.2% / $\pm 0.3\%$ max. | |
| | Duals $\pm 1\%$, max. | |
| Line Regulation | Singles 1%, max. | |
| | Duals $\pm 1\%$, max. | |
| | Triples: 0.6% / $\pm 0.2\%$ max. | |
| Cross Regulation, typ. | Duals $\pm 2\%$ | |
| | Triples: N/A / $\pm 0.1\%$ | |
| Preset Accuracy, typ. | Single/Duals: 1% | |
| | Triples: 1% / $\pm 5\%$ | |
| DC Voltage Adjust (typ) | $\pm 6\%$ of FS (Primary) | |
| Temperature Coefficient | $\pm 0.03\%/^{\circ}\text{C}$ | |
| Ripple/Noise | Single/Duals | 100mV Pk-Pk, max. |
| | Triple | 50mV / $\pm 75\text{mV}$ Pk-Pk, max. |
| | Over Voltage Protection | Clamp |
| Short Circuit Protection | Continuous, self-recovering | |
| Hold Up Time | 30 mS, typ. at nom Input | |
| DC Output Power | 5Watts, max | |

GENERAL SPECIFICATIONS

| | |
|-------------------------|-------------------------------|
| Isolation | 4KVAC Input/Output |
| Efficiency @ nom. Input | Single/Duals: 65%~72%, typ |
| | EFM-5009/M: 63% |
| | EFM-5011/M: 61% |
| Switching Frequency | 100Khz, (fixed, typical) |
| Safety UL/cUL: | ANSI/AAMI ES60601-1 3rd ed. |
| | CSA C22.2 No. 60601-1 3rd ed. |
| | UL-EU: EN60601-1 3rd ed. |
| | CB: IEC60601-1 3rd ed. |
| | CE: EN60601-1-2 |
| EMC | EN55011 Class B |

PHYSICAL SPECIFICATIONS

| | |
|--------------|----------------------|
| Size | 1.6" x 2.11" x 0.91" |
| Construction | Open Frame |
| Weight | 1.4oz (40g) typ. |

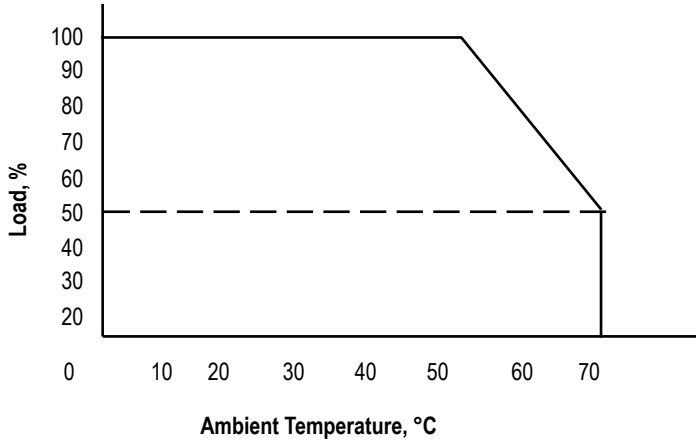
ENVIRONMENTAL SPECIFICATIONS

| | |
|--------------------------|-------------------------|
| Oper. Temperature | 0 to +50°C (See Derate) |
| Storage Temperature | -25 to +71°C * |
| Relative Humidity | 0 to + 95%, non-cond * |
| MTBF (MIL-STD-217, 25°C) | 270,000 Hrs, min. |

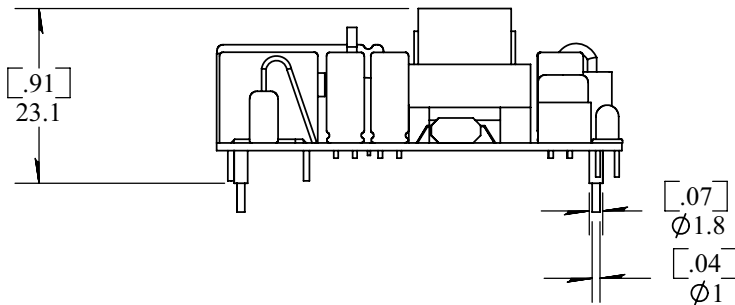
All specifications are typical at nominal input, full load, and 25°C unless otherwise noted

* These are stress ratings. Exposure of the devices to any of these conditions may adversely affect long term reliability. Proper operation under conditions other than the standard operating conditions is neither warranted nor implied.

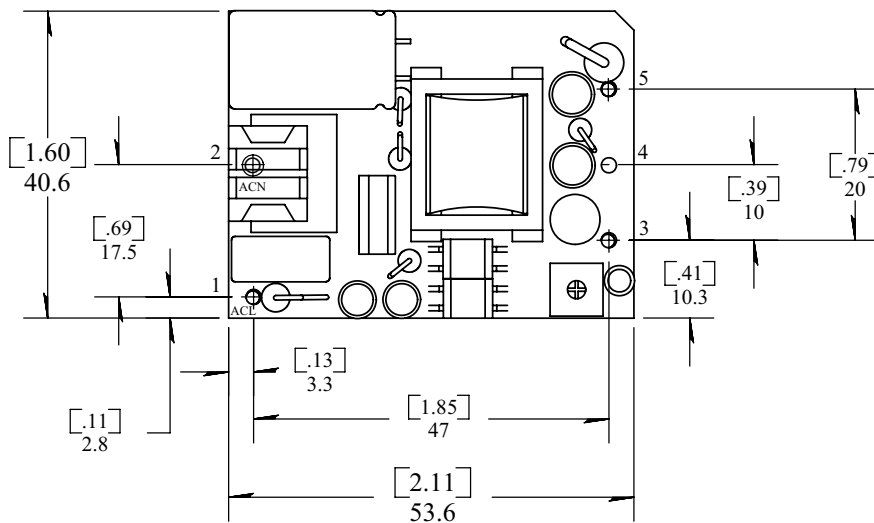
OUTPUT DERATING CURVE



MECHANICAL DIMENSIONS - SINGLE + DUAL OUTPUTS



| Pin# | Single Outputs | Dual Outputs |
|------|----------------|--------------|
| 1 | AC Line | AC Line |
| 2 | AC Neutral | AC Neutral |
| 3 | +Output | +Output |
| 4 | NC | Common |
| 5 | -Output | -Output |



Dimensions are in mm [inches]

