

THIS DRAWING IS UNPUBLISHED.

RELEASED FOR PUBLICATION

20

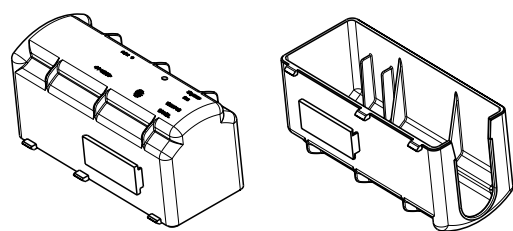
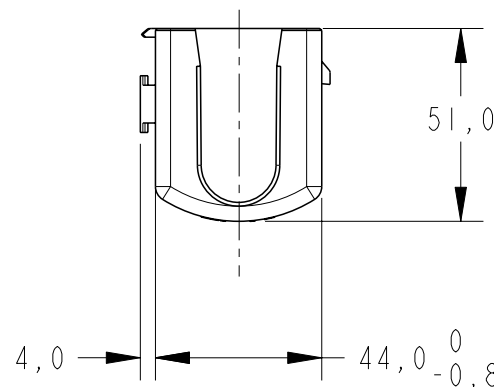
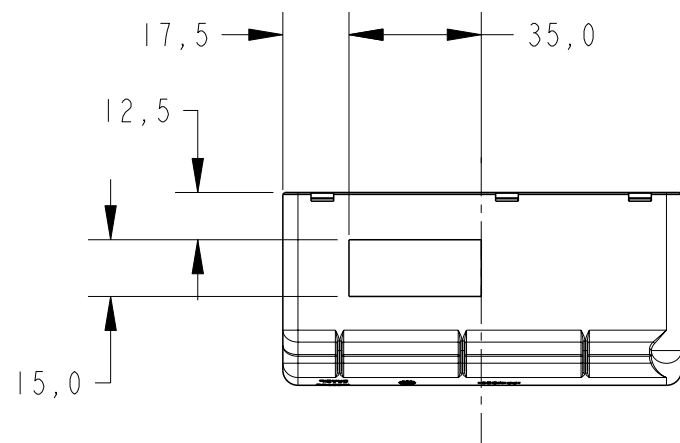
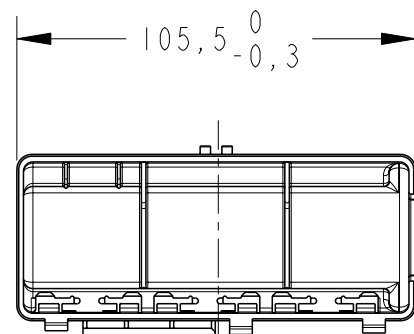
© COPYRIGHT 20

ALL RIGHTS RESERVED.

LOC AP DIST -

REVISIONS

| P | LTR | DESCRIPTION               | DATE      | DWN | APVD |
|---|-----|---------------------------|-----------|-----|------|
|   | A   | RELEASED BY RSA 12/090-01 | 21SEP2012 | PP  | MLO  |



PERSPECTIVE VIEW  
SCALE 1:2

| GRAVAÇÕES<br>MARKINGS                             |
|---|
| LOGOTIPO TE<br>TE LOGO                            |
| CÓDIGO PAÍS PRODUTOR<br>MANUFACTURER COUNTRY CODE |
| NOMENCLATURA MATERIAL<br>MATERIAL NOMENCLATURE    |
| NÚMERO COMPONENTE TE<br>TE COMPONENT NUMBER       |
| NÚMERO CAVIDADE<br>CAVITY NUMBER                  |
| CÓDIGO DATADOR MÊS/ANO<br>DATE CODE MONTH/YEAR    |
| PAÍS PRODUTOR<br>MANUFACTURER COUNTRY             |
| REV+ LETRA REV.DA PEÇA<br>REV.+ PART REV.LETTER   |

|               |                        |          |             |
|---------------|------------------------|----------|-------------|
| —             | PRETO / BLACK RAL 9011 | PP+20%MD | 1599745-2   |
| RAW MAT'L No. | FINISH                 | MATERIAL | PART NUMBER |

|   |  |                                      |                               |                    |                       |
|---|--|--------------------------------------|-------------------------------|--------------------|-----------------------|
| THIS DRAWING IS A CONTROLLED DOCUMENT.  |  | DWN<br>P. PULGROSSI<br>21SEP2012     | TE Connectivity               |                    |                       |
| DIMENSIONS:<br>mm   |  | CHK<br>J.R. GOLDSCHMIDT<br>21SEP2012 |                               |                    |                       |
| TOLERANCES UNLESS OTHERWISE SPECIFIED:  |  | APVD<br>M.L. OGAWA<br>21SEP2012      | NAME<br>-                     |                    |                       |
| 0 PLC ±-<br>1 PLC ±0,3<br>2 PLC ±-<br>3 PLC ±-<br>4 PLC ±-<br>ANGLES ±-<br>FINISH - |  | PRODUCT SPEC<br>-                    | WIRE DRESS, RELAY BOX, 3 POSN |                    |                       |
| MATERIAL SEE TABLE  |  | APPLICATION SPEC<br>-                | SIZE<br>A3                    | CAGE CODE<br>00779 | DRAWING NO<br>1599745 |
|   |  | WEIGHT<br>-                          | RESTRICTED TO<br>-            |                    |                       |
|   |  | CUSTOMER DRAWING                     | SCALE<br>1:2                  | SHEET<br>1         | OF<br>1               |
|   |  |                                      | REV<br>A                      |                    |                       |